

# Product data sheet

Specifications

SQUARE D



Mini circuit breaker, QO, 15A, 2 pole, 120/240VAC, 10kA, bolt on, 6mA grd fault A, pigtail [TAA]

QOB215GFI

Product availability: Stock - Normally stocked in distribution facility

## Main

Product	Miniature circuit-breaker
Range	QO
Current Rating	15 A
Voltage Rating	120/240 V AC 120 V AC
Mounting Type	Bolt-on
Number of Poles	2P
Circuit Breaker Type	Ground fault protecting class A 6 mA
Ratings	Not rated
Electrical Connection	Pressure plate

## Complementary

Interrupt Rating	10 kA 120/240 V AC 10 kA 120 V AC
Number of Panel Spaces	2
Wire Size	AWG 14...AWG 8 copper AWG 12...AWG 8 aluminium
Tightening Torque	35.4 lbf.in (4 N.m) 40.7 lbf.in (4.6 N.m) 0.006...0.03 in <sup>2</sup> (4...20 mm <sup>2</sup> ) (AWG 12...AWG 4)
Height	4.1 in (105 mm)
Width	1.5 in (38 mm)
Depth	2.9 in (74 mm)
Net Weight	0.950 lb(US) (0.431 kg)

## Environment

Certifications	UL Listed CSA
Ambient Rating	104 °F (40 °C)

## Ordering and shipping details

Category	US10DE200015
Discount Schedule	0DE2
GTIN	785901563013
Returnability	Yes

Price is "List Price" and may be subject to a trade discount – check with your local distributor or retailer for actual price.

---

Country of origin	MX
-------------------	----

## Packing Units

---

Unit Type of Package 1	PCE
------------------------	-----

---

Nbr. of units in pkg.	1
-----------------------	---

---

Package 1 Height	2.20 in (5.588 cm)
------------------	--------------------

---

Package 1 Width	3.60 in (9.144 cm)
-----------------	--------------------

---

Package 1 Length	5.30 in (13.462 cm)
------------------	---------------------

---

Package weight(Lbs)	15.200 oz (430.913 g)
---------------------	-----------------------

## Compliance

---

Compliance	TAA
------------	-----

## Contractual warranty

---

Warranty	18 months
----------	-----------

## Environmental Data

Schneider Electric aims to achieve Net Zero status by 2050 through supply chain partnerships, lower impact materials, and circularity via our ongoing “Use Better, Use Longer, Use Again” campaign to extend product lifetimes and recyclability.

[Environmental Data explained >](#)

[How we assess product sustainability >](#)

### Environmental footprint

[Environmental Disclosure](#)

[Product Environmental Profile](#)

## Use Better

### Materials and Substances

Packaging made with recycled cardboard

No

Packaging without single use plastic

Yes

[EU RoHS Directive](#)

Compliant with Exemptions

REACH Regulation

[REACH Declaration](#)

California proposition 65

WARNING: Cancer and Reproductive Harm - [www.P65Warnings.ca.gov](http://www.P65Warnings.ca.gov)

## Use Again

### Repack and remanufacture

[Circularity Profile](#)

[End of Life Information](#)

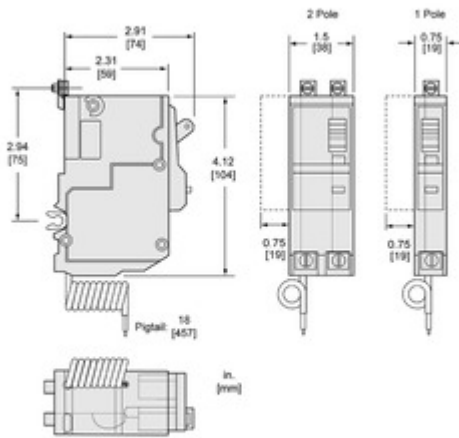
Take-back

No

Technical Illustration

Dimensions

---



ALL DIMENSIONS ARE APPROXIMATE  
ALSO SEE TECHNICAL DRAWINGS AND DOCUMENTATION

Technical Illustration

Wiring diagram

Typical Two-Pole GFCI Wiring

