

# Product data sheet

Specifications

SQUARE D



Main circuit breaker unit, EZ Meter-Pak, 800A, 240VAC max, 3ph/4W, 800A bus, 65kA, OH/UG, Type 3R

EZM3800CB

Product availability: Stock - Normally stocked in distribution facility

## Main

Range of Product	EZ meter-pak
Product or Component Type	Meter center main unit
Main type	Main Circuit Breaker
Included Items	Circuit-breaker 1) 3P 800 A 65 kA Closing plate

## Complementary

Main rated current	800 A
Bus rated current	800 A
Enclosure Material	Painted steel
[Ue] rated operational voltage	208Y/120 V AC 240/120 V delta AC
Device mounting	Surface
Number of Phases	3 phase in 3 phase out
Service feed location	OH UG
Electrical connection	Lugs 3 AWG 3/0...500 kcmil aluminium/copper) line Lugs 3 AWG 3/0...500 kcmil aluminium/copper) neutral Lugs 1 AWG 6...300 kcmil aluminium/copper) ground
Wiring configuration	4-wire
Height	53.97 in (1370.84 mm)
Width	18.66 in (473.96 mm)
Depth	11.50 in (292.10 mm)

## Environment

Product Certifications	UL Listed
Enclosure Rating	NEMA 3R

## Ordering and shipping details

Category	US10DE400020
Discount Schedule	0DE4
GTIN	785901304975
Returnability	Yes

Price is "List Price" and may be subject to a trade discount – check with your local distributor or retailer for actual price.

---

Country of origin	MX
-------------------	----

## Packing Units

---

Unit Type of Package 1	PCE
------------------------	-----

---

Nbr. of units in pkg.	1
-----------------------	---

---

Package 1 Height	14.29 in (36.3 cm)
------------------	--------------------

---

Package 1 Width	22.80 in (57.9 cm)
-----------------	--------------------

---

Package 1 Length	54.49 in (138.4 cm)
------------------	---------------------

---

Package weight(Lbs)	121.0008 lb(US) (54.885 kg)
---------------------	-----------------------------

## Contractual warranty

---

Warranty	18 months
----------	-----------



## Environmental Data

Schneider Electric aims to achieve Net Zero status by 2050 through supply chain partnerships, lower impact materials, and circularity via our ongoing “Use Better, Use Longer, Use Again” campaign to extend product lifetimes and recyclability.

[Environmental Data explained >](#)

[How we assess product sustainability >](#)

Environmental footprint	
Carbon footprint (kg CO2 eq, Total Life cycle)	792
Environmental Disclosure	<a href="#">Product Environmental Profile</a>

### Use Better

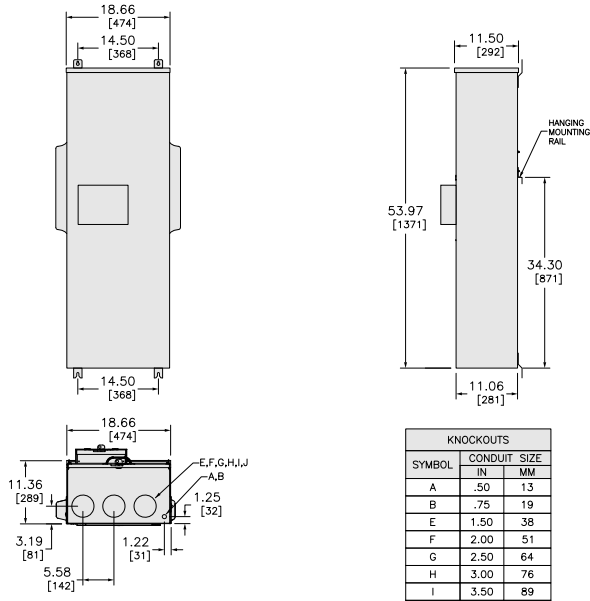
Materials and Substances	
Packaging made with recycled cardboard	No
Packaging without single use plastic	No
<a href="#">EU RoHS Directive</a>	Compliant with Exemptions
REACH Regulation	<a href="#">REACH Declaration</a>
California proposition 65	<b>WARNING:</b> This product can expose you to chemicals including: Lead and lead compounds, which is known to the State of California to cause cancer and birth defects or other reproductive harm. For more information go to <a href="http://www.P65Warnings.ca.gov">www.P65Warnings.ca.gov</a>

### Use Again

Repack and remanufacture	
Circularity Profile	No need of specific recycling operations
Take-back	No

Technical Illustration

Dimensions



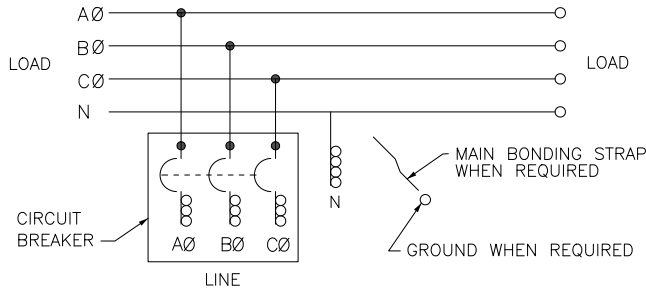
ALL DIMENSIONS ARE APPROXIMATE.  
REFER TO TECHNICAL DRAWINGS AND DOCUMENTATION FOR COMPLETE INFORMATION.

in.  
[mm]

Technical Illustration

Wiring diagram

---



REFER TO TECHNICAL DRAWINGS AND DOCUMENTATION FOR COMPLETE INFORMATION.