

# Product data sheet

Specifications



Pilot light, Harmony 9001K, metal, polycarbonate, domed, green, 30mm, LED green, 120V

9001KP38LGG9

**Product availability: Stock - Normally stocked in distribution facility**

## Main

Range of Product	Harmony 9001K
Product or Component Type	Pilot light
Device short name	9001K

## Complementary

Bezel material	Metal
Mounting diameter	1.2 in (30 mm)
Shape of signaling unit head	Round
Lens type	Domed plastic
Cap/operator or lens colour	Green
Light source	Green LED
Bulb base	BA 9s
Light block supply	Direct 120 V AC/DC
Connections - terminals	Screw clamp terminals, 1 x 0.22...2 x 1.5 mm <sup>2</sup> IEC 60947-1
Tightening torque	7.08 lbf.in (0.8 N.m) IEC 60947-1
Shape of screw head	Cross slotted
Shape of screw head	Cross slotted
Operating position	Any position
[Ui] rated insulation voltage	250 V 2)IEC 60947-1
[Uimp] rated impulse withstand voltage	2.5 kV IEC 60947-1
Short-circuit protection	10 A cartridge fuse IEC 60947-5-1
Light source	LED
[Ith] conventional free air thermal current	10 A
CAD overall width	2.1 in (54 mm)
CAD overall height	2.8 in (70 mm)
CAD overall depth	1.7 in (42 mm)
[Us] rated supply voltage	120 V AC/DC
Net Weight	0.295 lb(US) (0.134 kg)
Device presentation	Complete product
Lens type	Domed
[Us] rated supply voltage	120 V

Price is "List Price" and may be subject to a trade discount – check with your local distributor or retailer for actual price.

Light source colour	Green
Lens material	Polycarbonate
Size	30 mm

## Environment

Standards	EN/IEC 60947-5-1 CSA C22.2 No 14 EN/IEC 60947-1 UL 508 JIS C 852 EN/IEC 60947-5-4 JIS C8201-5-1 JIS C8201-1
Product Certifications	NEMA UL 508
Protective treatment	TC
Ambient Air Temperature for Storage	-40...158 °F (-40...70 °C)
Ambient Air Temperature for Operation	-13...158 °F (-25...70 °C)
Vibration resistance	7 gn (f= 2...500 Hz) conforming to IEC 60068-2-6
Shock resistance	50 gn IEC 60068-2-27
Overvoltage category	Class II conforming to IEC 61140
IP degree of protection	IP66 IEC 60529
NEMA degree of protection	NEMA 1 NEMA 12 NEMA 13 NEMA 2 NEMA 3 NEMA 3R NEMA 4 NEMA 6

## Ordering and shipping details

Category	US10CS121426
Discount Schedule	0CS1
GTIN	785901158981
Returnability	Yes
Country of origin	MX

## Packing Units

Unit Type of Package 1	PCE
Nbr. of units in pkg.	1
Package 1 Height	1.77 in (4.500 cm)
Package 1 Width	2.17 in (5.500 cm)
Package 1 Length	3.70 in (9.400 cm)
Package weight(Lbs)	5.150 oz (146.000 g)
Unit Type of Package 2	S03
Number of Units in Package 2	96
Package 2 Height	11.81 in (30.000 cm)
Package 2 Width	11.81 in (30.000 cm)

---

<b>Package 2 Length</b>	15.75 in (40.000 cm)
-------------------------	----------------------

---

<b>Package 2 Weight</b>	31.793 lb(US) (14.421 kg)
-------------------------	---------------------------

---

## **Contractual warranty**

---

<b>Warranty</b>	18 months
-----------------	-----------


## Environmental Data

Schneider Electric aims to achieve Net Zero status by 2050 through supply chain partnerships, lower impact materials, and circularity via our ongoing "Use Better, Use Longer, Use Again" campaign to extend product lifetimes and recyclability.


[Environmental Data explained >](#)

[How we assess product sustainability >](#)

### Use Better

 <b>Materials and Substances</b>	
Packaging made with recycled cardboard	Yes
Packaging without single use plastic	Yes
<a href="#">EU RoHS Directive</a>	Pro-active compliance (Product out of EU RoHS legal scope)
SCIP Number	Ae0c4eb9-0bf9-40a4-851f-5c619f9be777d
REACH Regulation	<a href="#">REACH Declaration</a>
California proposition 65	<b>WARNING:</b> This product can expose you to chemicals including: Lead and lead compounds, which is known to the State of California to cause cancer and birth defects or other reproductive harm. For more information go to <a href="http://www.P65Warnings.ca.gov">www.P65Warnings.ca.gov</a>

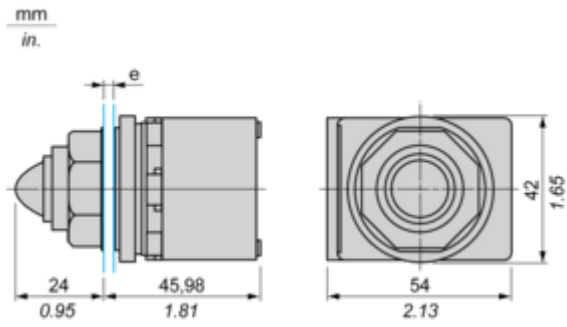
### Use Again

 <b>Repack and remanufacture</b>	
Take-back	No

Dimensions Drawings

Dimensions

---



e panel thickness: 1 to 6 mm / 0.04 to 0.24 in.

Offer Marketing Illustration

Product benefits / Features

---

**Features**  
Harmony 9001K



-  Improved security thanks to finger-safe contact blocks and light modules
-  Single screw Contact Block Fastening
-  Robustness to withstand the harshest environments
-  Automatic self-grounding operators without additional wiring
-  Large metal set of accessories to customize your product

Offer Marketing Illustration

Product benefits / Features

---

### Technical Benefits

#### Harmony 9001K

