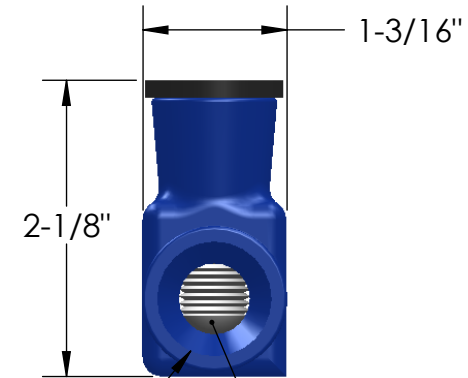


REMOVABLE ACCESS CAP



WIRE ENTRY PORT  
WIRE RANGE: 250 - 4/0 AWG  
PRE-FILLED W/ OXIDE INHIBITOR

5/16 INTERNAL HEX  
PRESSURE SCREW

CONTACT NSI FOR SALES @ 800.321.5847



**POLARIS**  
SALES CO. INC

PROPRIETARY AND CONFIDENTIAL

11625 PROSPEROUS DRIVE ODESSA, FL 33556

THE INFORMATION CONTAINED IN THIS DRAWING IS THE SOLE PROPERTY OF POLARIS SALES CO. INC. ANY REPRODUCTION IN PART OR AS A WHOLE WITHOUT THE WRITTEN PERMISSION OF POLARIS SALES CO. INC. IS PROHIBITED.

TITLE:

**SUBMERSIBLE 250  
SPLICER/REDUCER**

NAME	DATE
DRAWN BY S.PARRY	07/2012

DWG. NO.	ISW250
----------	--------

MATERIAL: N/A

SCALE: N/A

SHEET: 1 OF 1

NOTES:

1. CONNECTOR MATERIAL: 6061-T6511 ALUMINUM ALLOY.
2. UL LISTED FOR SUBMERSIBLE USE PER UL486D SPECIFICATIONS FOR 600V.
3. DUAL RATED FOR 90°C COPPER AND/OR ALUM. CONDUCTOR.