

| | |
|------------|-----------|
| DATE: | LOCATION: |
| TYPE: | PROJECT: |
| CATALOG #: | |

tradeSELECT®

- AC only or Emergency Models
- Superior panel illumination with Red or Green letters
- LED life-cycle of more than 10 years
- Damp Location Listed 20°C to 30°C (68°F to 86°F)
- Dual-voltage 120 or 277V AC input
- Low Input Power Consumption at 3.72 Watts
- Includes long-life Nickel Cadmium battery for UL recognized 90 minute emergency lighting
- Field installed directional arrow indicators with template
- Mirror divider on single and double-face models
- Provided with test switch and AC-On indicator
- Canopy included for surface mount model



APPLICATION

- The CEL Series is applied in stairwells, hallways, offices and other commercial applications
- The housing finish and trim-plate is brushed aluminum
- Recessed mount model comes with a full recessed box complete with integrated caddy-bar assembly
- Surface mount model has a clam-shell design for easy installation and access to internal circuitry

CONSTRUCTION

- The acrylic panels are ultrasonically welded and taped at the edges to maximize illumination and visibility

INSTALLATION

- The CEL is ideal for architectural applications and offers surface and recessed mounting options
- The Exit panel can be ratcheted to various angles for mounting to angled surfaces
- Canopy and mounting hardware included

ELECTRICAL

- LED based emergency exit
- Emergency models include NiCad battery, status LED and Push-to-test switch

CERTIFICATIONS

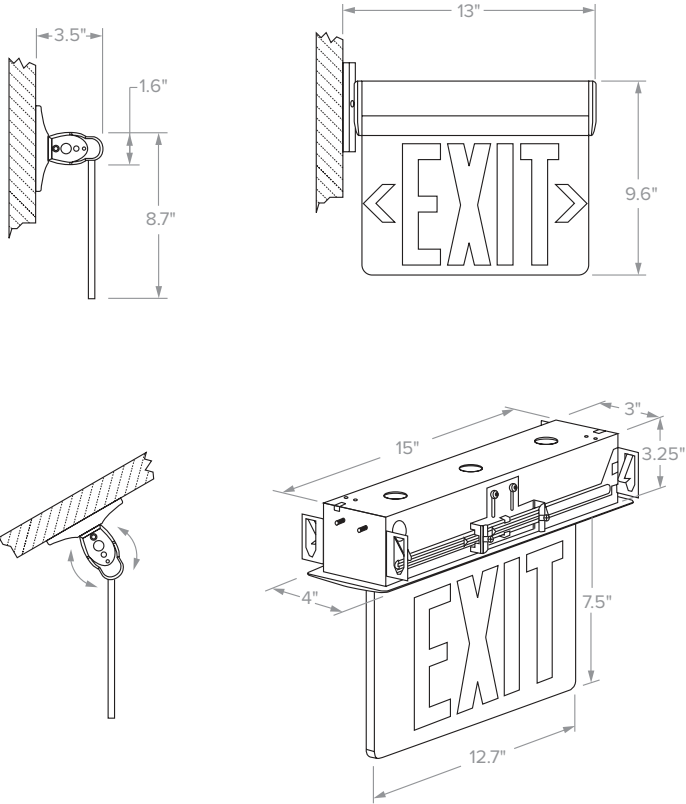
- Listed to UL924 Standard
- UL924 Listed for Damp Location
- NFPA 101 and NFPA 70
- OSHA

WARRANTY

- 2 year full unit warranty

| Catalog Number | Description |
|----------------|--|
| CELS1RNE | Edge-Lit Exit, Surface Mount, Single Face, Red Letters, Brushed Aluminum, Battery |
| CELS1GNE | Edge-Lit Exit, Surface Mount, Single Face, Green Letters, Brushed Aluminum, Battery |
| CELS2RNE | Edge-Lit Exit, Surface Mount, Double Face, Red Letters, Brushed Aluminum, Battery |
| CELS2GNE | Edge-Lit Exit, Surface Mount, Double Face, Green Letters, Brushed Aluminum, Battery |
| CELS1RN | Edge-Lit Exit, Surface Mount, Single Face, Red Letters, Brushed Aluminum, AC only |
| CELS2RN | Edge-Lit Exit, Surface Mount, Double Face, Red Letters, Brushed Aluminum, AC only |
| CELS1GN | Edge-Lit Exit, Surface Mount, Single Face, Green Letters, Brushed Aluminum, AC only |
| CELS2GN | Edge-Lit Exit, Surface Mount, Double Face, Green Letters, Brushed Aluminum, AC only |
| CELR1RNE | Edge-Lit Exit, Recessed Mount, Single Face, Red Letters, Brushed Aluminum, Battery |
| CELR1GNE | Edge-Lit Exit, Recessed Mount, Single Face, Green Letters, Brushed Aluminum, Battery |
| CELR2RNE | Edge-Lit Exit, Recessed Mount, Double Face, Red Letters, Brushed Aluminum, Battery |
| CELR2GNE | Edge-Lit Exit, Recessed Mount, Double Face, Green Letters, Brushed Aluminum, Battery |
| CELR1RN | Edge-Lit Exit, Recessed Mount, Single Face, Red Letters, Brushed Aluminum, AC only |
| CELR2RN | Edge-Lit Exit, Recessed Mount, Double Face, Red Letters, Brushed Aluminum, AC only |
| CELR1GN | Edge-Lit Exit, Recessed Mount, Single Face, Green Letters, Brushed Aluminum, AC only |
| CELR2GN | Edge-Lit Exit, Recessed Mount, Double Face, Green Letters, Brushed Aluminum, AC only |

DIMENSIONS



| | |
|------------------------|----------|
| Single Carton Weight | 2.8 lbs. |
| Master Carton Quantity | 8 each |

INPUT POWER REQUIREMENTS

| Catalog Number | Input Power Consumption |
|----------------|-------------------------|
| CELSIRNE | 3.14W |
| CELS2RNE | |
| CELRIRNE | |
| CELR2RNE | |
| CELRIRN | 2.38W |
| CELR2RN | |
| CELSIRN | |
| CELS2RN | |
| CELSIGNE | 2.94W |
| CELS2GNE | |
| CELRIGNE | |
| CELR2GNE | |
| CELRIGN | 2.39W |
| CELR2GN | |
| CELSIGN | |
| CELS2GN | |