

Lytecaster 1100IC 6.75 In IC Frame-In Kit 120V



Description:

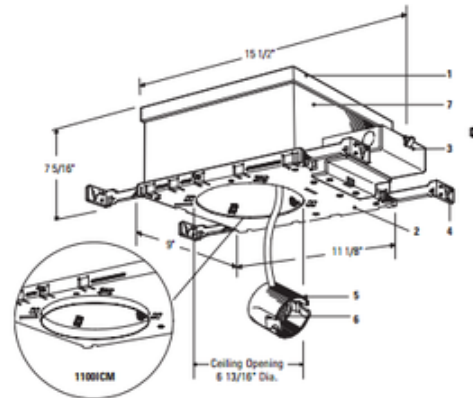
Lytecaster 1100IC 6.75 Inch Incandescent Insulated Ceiling Frame-In Kit is made of galvanized steel. UL listed for direct contact with thermal insulation (IC designation). Accommodates all ceilings up to 1 inch thick. Four slots are positioned 90 degrees apart to simplify alignment. Push-in/twist-out rotoclips hold reflector flush to ceiling. UL listed for maximum of six No. 12 gauge 90 degree C through branch circuit conductors. Quick release cover for outside access to wiring. Mounting bars extend 13 to 27 inch rotatable and lockable with integral T-bar clips. UL listed. Suitable for damp locations. Dimensions: 15.5 inch width x 9 inch depth x 7.3 inch height. Incandescent lamping type and wattage dependent on trim kit. A complete fixture includes a frame-in kit and trim kit, sold separately.

List Price: \$54.37
 Our Price: \$32.62

Shade Color: N/A
 Body Finish: N/A
 Lamp: 1 x A19/Medium (E26)/72W/120V Incandescent
 1 x PAR38/Medium (E26)/120V Halogen
 1 x BR40/Medium (E26)/120V Incandescent
 1 x A19/Medium (E26)/120V LED
 Wattage: 72W
 Dimmer: Incandescent
 Dimensions: 7.3"H x 15.5"W x 9"D

Technical Information

Ceiling Type: Drywall with Trim
 Housing Type: New construction IC
 Housing Height: 8"
 Aperture Size: 0.000"



Product Number: LTL 19059			
Company:		Fixture Type:	Date: Aug 03, 2017
Project:		Approved By:	

Fax: (773) 883-6131

Phone: 866-954-4489

Address: 1718 W. Fullerton Ave. Chicago IL 60614

www.Lightology.com