

# Product data sheet

Specifications



Illuminated push button, Harmony 9001K, metal, metal guard flush, green, 30mm, spring return, 120V, 1 CO

9001K3L38GH13

**Product availability: Non-Stock - Not normally stocked in distribution facility**

## Main

Range of Product	Harmony 9001K
Product or Component Type	Illuminated push-button
Device short name	9001K
Type of operator	spring return
Operator profile	Green flush, unmarked
Operator additional information	Metal guard

## Complementary

Bezel material	Metal
Mounting diameter	1.2 in (30 mm)
Shape of signaling unit head	Octagonal
Light source	incandescent
Light source	Incandescent bulb
Bulb base	BA 9s
Light block supply	Direct
[Us] rated supply voltage	120 V AC/DC
Contacts type and composition	1 C/O
Connections - terminals	Screw clamp terminals 1 x 0.22...2 x 1.5 mm <sup>2</sup> IEC 60947-1
Tightening torque	7.08 lbf.in (0.8 N.m) IEC 60947-1
Shape of screw head	Cross slotted
Mechanical durability	5000000 cycles
Operating position	Any position
[Ie] rated operational current	0.55 A 125 V, DC-13, A600-Q600 NEMA
[Ui] rated insulation voltage	250 V 3)IEC 60947-1
[Uimp] rated impulse withstand voltage	2.5 kV IEC 60947-1
Contacts material	Silver alloy contacts
Contact operation	Standard
Positive opening	Without
Short-circuit protection	10 A cartridge fuse IEC 60947-5-1
[Ith] conventional free air thermal current	10 A

Price is "List Price" and may be subject to a trade discount – check with your local distributor or retailer for actual price.

<b>[Icm] rated short-circuit making capacity</b>	12 kA 600 V AC-15, 7200 VA 15 kA 480 V AC-15, 7200 VA 30 kA 240 V AC-15, 7200 VA 60 kA 120 V AC-15, 7200 VA
<b>Rated breaking capacity</b>	1.2 kA 600 V AC-15, 720 VA 1.5 kA 480 V AC-15, 720 VA 3 kA 240 V AC-15, 720 VA 6 kA 120 V AC-15, 720 VA 0.1 kA 600 V DC-13 0.55 kA 125 V DC-13
<b>CAD overall width</b>	2.1 in (54 mm)
<b>CAD overall height</b>	1.7 in (42 mm)
<b>CAD overall depth</b>	4.2 in (106 mm)
<b>Terminals description ISO n°1</b>	(13-14-11-12)OF
<b>Net Weight</b>	0.386 lb(US) (0.175 kg)
<b>Device presentation</b>	Complete product
<b>Cap/operator or lens colour</b>	Green
<b>[Us] rated supply voltage</b>	120 V
<b>Light block supply</b>	Full voltage or resistor
<b>Operator profile</b>	Flush
<b>Type of operator</b>	Spring return
<b>Size</b>	30 mm

## Environment

<b>Standards</b>	IEC 60947-1 JIS C 4520 IEC 60947-5-1 CSA C22.2 No 14 JIS C 852 IEC 60947-5-4
<b>Product Certifications</b>	NEMA UL 508
<b>Protective treatment</b>	TC
<b>Ambient Air Temperature for Storage</b>	-40...158 °F (-40...70 °C)
<b>Ambient Air Temperature for Operation</b>	-13...158 °F (-25...70 °C)
<b>Vibration resistance</b>	7 gn (f= 2...500 Hz) conforming to IEC 60068-2-6
<b>Shock resistance</b>	50 gn IEC 60068-2-27
<b>Overvoltage category</b>	Class II conforming to IEC 61140
<b>IP degree of protection</b>	IP66 IEC 60529
<b>NEMA degree of protection</b>	NEMA 1 NEMA 12 NEMA 13 NEMA 2 NEMA 3 NEMA 3R NEMA 4

## Ordering and shipping details

<b>Category</b>	US10CS121426
<b>Discount Schedule</b>	0CS1
<b>GTIN</b>	785901840213

---

<b>Returnability</b>	Yes
----------------------	-----

---

<b>Country of origin</b>	MX
--------------------------	----

---

## Packing Units

---

<b>Unit Type of Package 1</b>	PCE
-------------------------------	-----

---

<b>Nbr. of units in pkg.</b>	1
------------------------------	---

---

<b>Package 1 Height</b>	1.90 in (4.826 cm)
-------------------------	--------------------

---

<b>Package 1 Width</b>	2.30 in (5.842 cm)
------------------------	--------------------

---

<b>Package 1 Length</b>	4.50 in (11.43 cm)
-------------------------	--------------------

---

<b>Package weight(Lbs)</b>	7.040 oz (199.581 g)
----------------------------	----------------------

---

## Contractual warranty

---

<b>Warranty</b>	18 months
-----------------	-----------

---




## Environmental Data

Schneider Electric aims to achieve Net Zero status by 2050 through supply chain partnerships, lower impact materials, and circularity via our ongoing “Use Better, Use Longer, Use Again” campaign to extend product lifetimes and recyclability.



[Environmental Data explained >](#)

[How we assess product sustainability >](#)

### Use Better

 <b>Materials and Substances</b>	
Packaging made with recycled cardboard	Yes
Packaging without single use plastic	Yes
<a href="#">EU RoHS Directive</a>	Pro-active compliance (Product out of EU RoHS legal scope)
SCIP Number	Ae0c4eb9-0bf9-40a4-851f-5c619f9be777d
REACH Regulation	<a href="#">REACH Declaration</a>
California proposition 65	<b>WARNING:</b> This product can expose you to chemicals including: Lead and lead compounds, which is known to the State of California to cause cancer and birth defects or other reproductive harm. For more information go to <a href="http://www.P65Warnings.ca.gov">www.P65Warnings.ca.gov</a>

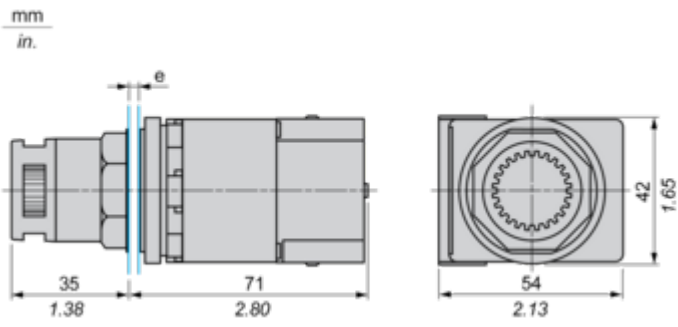
### Use Again

 <b>Repack and remanufacture</b>	
Take-back	No
WEEE	 The product must be disposed on European Union markets following specific waste collection and never end up in rubbish bins.

Dimensions Drawings

Dimensions

---



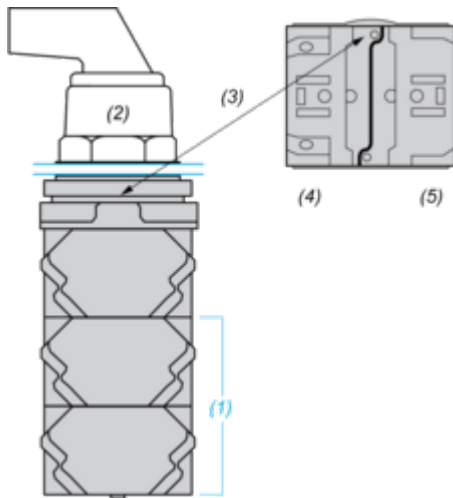
e panel thickness: 1 to 6 mm / 0.04 to 0.24 in.

Mounting and Clearance

Contact Block Mounting Position

---

Top and Rear views

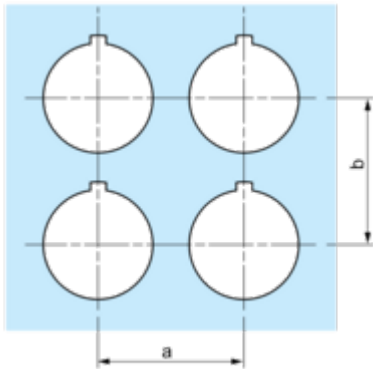


- (1) It is possible to mount up to 3 levels of contacts blocks (maximum of 6 contacts blocks)
- (2) Operator
- (3) Locating notch
- (4) Side 1
- (5) Side 2

Panel Cut-Out

---

Clearance



Legend plate	a min.		b min.	
	mm	in.	mm	in.
9001KN2••	57.2	2.25	44.5	1.75
9001KN3••	57.2	2.25	50.8	2.00

Individual Cut-outs Details

2 alternatives

