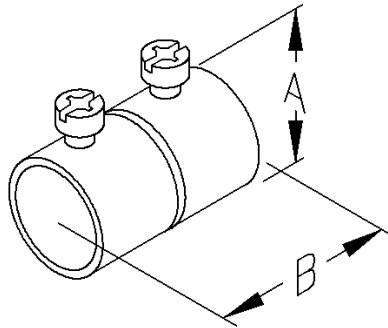


## Steel Setscrew Couplings



### Features

- Pre-set & staked tri-head screws 1/2" thru 2"
- Hex head screws 2 1/2" thru 4"
- Heavy steel walls
- Concrete tight when taped
- UL listed for Steel EMT Conduit
- RoHS compliant

**Standard Materials:** Steel

**Standard Finish:** Zinc Plated

### Applicable Third Party Standards

- UL Standard: 514B
- Fed. Spec. A-A-50553
- NEMA: FB-1
- UL Listed File # E172239
- UL & c UL us Listed for EMT, IMC & Rigid conduit, UL Listed File # E164116 sizes 2 1/2" - 4"

\* Furnished with two set screws

| Product Code                    | Catalog Number | Weight per/C | Trade Size | Dimensions in Inches |       | Carton Count |        |
|---------------------------------|----------------|--------------|------------|----------------------|-------|--------------|--------|
|                                 |                |              |            | A                    | B     | Inner        | Master |
| <b>Steel Setscrew Couplings</b> |                |              |            |                      |       |              |        |
| 0502-24-00                      | SK-50          | 7.8          | 1/2"       | 0.875                | 1.625 | 50           | 500    |
| 0503-22-00                      | SK-75          | 12.7         | 3/4"       | 1.130                | 1.875 | 25           | 250    |
| 0504-20-00                      | SK-100         | 19.6         | 1"         | 1.190                | 2.313 | 20           | 200    |
| 0505-10-00                      | SK-125         | 40.2         | *1 1/4"    | 1.750                | 2.064 | 10           | 100    |
| 0506-10-00                      | SK-150         | 57.5         | *1 1/2"    | 2.000                | 3.000 | 10           | 100    |
| 0507-05-00                      | SK-200         | 64.6         | *2"        | 2.440                | 3.250 | 5            | 50     |
| 0508-08-00                      | SK-250         | 13.0         | *2 1/2"    | 3.130                | 4.000 | -            | 8      |
| 0509-06-00                      | SK-300         | 140.0        | *3"        | 3.750                | 4.250 | -            | 6      |
| 0510-04-00                      | SK-350         | 216.6        | *3 1/2"    | 4.250                | 4.500 | -            | 4      |
| 0511-04-00                      | SK-400         | 250.0        | *4"        | 4.750                | 4.750 | -            | 4      |