



Color: Bronze

Weight: 9.7 lbs

<b>Project:</b>	<b>Type:</b>
<b>Prepared By:</b>	<b>Date:</b>

Driver Info		LED Info	
Type	Constant	Watts	100/85/70/50W
120V	0.94A	Color Temp	3000/4000/5000K
208V	0.56A	Color Accuracy	83-86 CRI
240V	0.51A	L70 Lifespan	100,000 Hours
277V	0.46A	Lumens	7,219-14,382 lm
Input Watts	48.2-103.2W	Efficacy	123.1-169.3 lm/W

**Technical Specifications**

**Field Adjustability**

**Optical Field Adjustability:**

45°, 30°, 15° and 0° (factory default 0°)

**Field Adjustable:**

Field Adjustable Light Output:

100W/85W/70W/50W (factory default 100W)

Color Temperature Selectable:

3000K, 4000K and 5000K (factory default 4000K)

**Performance**

**Lifespan:**

100,000-Hour LED lifespan based on IES LM-80 results and TM-21 calculations

**Wattage Equivalency:**

100W: Replaces up to 400W Metal Halide (MH) or 310W High Pressure Sodium (HPS)

85W: Replaces up to 400W Metal Halide (MH) or 310W High Pressure Sodium (HPS)

70W: Replaces up to 400W Metal Halide (MH) or 250W High Pressure Sodium (HPS)

50W: Replaces up to 350W Metal Halide (MH) or 200W High Pressure Sodium (HPS)

**LED Characteristics**

**LEDs:**

Edge-lit long-life, high-efficacy, surface-mount LEDs; binned and mixed for uniform light output and color.

**Electrical**

**Driver:**

100W: Class 2, Constant Current, 120-277V, 50/60 Hz,

120V: 0.94A, 208V: 0.56A, 240V: 0.51A, 277V: 0.46A

85W: Class 2, Constant Current, 120-277V, 50/60 Hz,

120V: 0.80A, 208V: 0.48A, 240V: 0.43A, 277V: 0.40A

70W: Class 2, Constant Current, 120-277V, 50/60 Hz,

120V: 0.66A, 208V: 0.39A, 240V: 0.36A, 277V: 0.35A

50W: Class 2, Constant Current, 120-277V, 50/60 Hz,

120V: 0.47A, 208V: 0.30A, 240V: 0.28A, 277V: 0.26A

**Dimming Driver:**

Driver includes dimming control wiring for 0-10V dimming systems. Requires separate 0-10V DC dimming circuit. Dims down to 10%.

**THD:**

100W: 3.12% at 120V, 5.81% at 277V

85W: 3.23% at 120V, 6.81% at 277V

70W: 3.43% at 120V, 8.85% at 277V

50W: 3.92% at 120V, 14.72% at 277V

**Power Factor:**

100W: 99.8% at 120V, 94.9% at 277V

85W: 99.7% at 120V, 93.6% at 277V

70W: 99.6% at 120V, 91.5% at 277V

50W: 99.2% at 120V, 83.3% at 277V

**Aux Power Supply:**

Yes

**Dim to Off:**

Yes

**Photocell:**

120-277V selectable photocell that can be turned on and off.

**Surge Protection:**

DM(L/N): 6KV, CM(L/N-PE): 6KV

**Construction**

**Cold Weather Starting:**

The minimum starting temperature is -40°C (-40°F)

**Maximum Ambient Temperature:**

Suitable for use in up to 40°C (104°F)

**Housing:**

Die-cast aluminum

**Lens:**

Polycarbonate lens

**Gaskets:**

High-temperature silicone

## Technical Specifications (continued)

**Finish:**

Formulated for high durability and long-lasting color

**Green Technology:**

Mercury and UV free. RoHS-compliant components.

---

**Compliance****UL Listed:**

Suitable for wet locations

**IESNA LM-79 & LM-80 Testing:**

RAB LED luminaires and LED components have been tested by an independent laboratory in accordance with IESNA LM-79 and LM-80.

**IP Rating:**

Ingress protection rating of IP65 for dust and water

**DLC Listed:**

This product is listed by Design Lights Consortium (DLC) as an ultra-efficient premium product that qualifies for the highest tier of rebates from DLC Member Utilities. Designed to meet DLC 5.1 requirements.

DLC Product Code: S-N7LBHX

---

**Installation****Mounting:**

Hinged wiring access and conduit entries on the back, sides, top and bottom make installation a snap

---

**Optical****BUG Rating:**

100W: B3 U0 G2

85W: B3 U0 G2

70W: B3 U0 G2

50W: B3 U0 G1

---

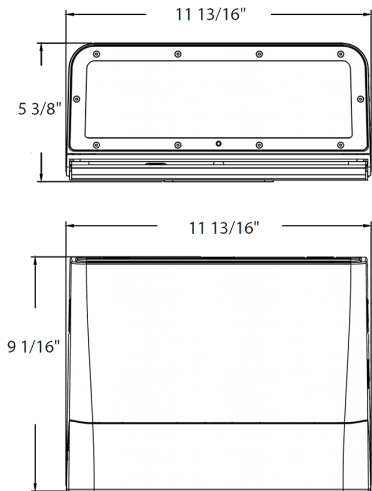
**Other****5 Yr Limited Warranty:**

The RAB 5-year, limited warranty covers light output, driver performance and paint finish. RAB's warranty is subject to all terms and conditions found at [rablighting.com/warranty](http://rablighting.com/warranty).

**Buy American Act Compliance:**

RAB values USA manufacturing! Upon request, RAB may be able to manufacture this product to be compliant with the Buy American Act (BAA). Please contact customer service to request a quote for the product to be made BAA compliant.

**Dimensions**



**Features**

- DLC Premium listed
- 0-10V dimming standard
- 100,000-hour LED Life
- 5-Year, limited warranty

**Ordering Matrix**

Family	Housing Size	Wattage	Color Temp	Finish	Forward Throw	Driver	Options
SLIM22	M	100					
	S = Small M = Medium L = Large	30 = 30/25/20/15W 60 = 60/50/40/30W 100 = 100/85/70/50W 150 = 150/125/100/75W	Blank = 3000/4000/5000K CCT Adjustable	Blank = Bronze W = White	Blank = Adjustable Throw 0°/15°/30°/45°	Blank = 120-277V, 0-10V /480 = 480V, 0-10V Dimming	Blank = Selectable Photocell /E = Selectable Photocell w/Battery Backup