

Product data sheet

Specifications

SQUARE D



Mini circuit breaker, Homeline, 15A, 1 pole, 120VAC, 10kA AIR, combo ARC/ground fault, plug in, UL [TAA]

HOM115DF

Product availability: Stock - Normally stocked in distribution facility

Main

Product	Miniature circuit-breaker
Range	Homeline
Current Rating	15 A
Certifications	UL Listed
Voltage Rating	120 V AC
Mounting Type	Plug-in
Number of Poles	1P
Short Circuit Current Rating	10 kA
Number of Spaces	1
Circuit Breaker Type	Combination ARC-fault and ground fault
Ratings	HACR rated
Electrical Connection	Screw clamp terminals
Wire Size	1 x AWG 14...AWG 8 (aluminium/copper) 2 x AWG 14...AWG 10 (copper)

Complementary

Connections - Terminals	Pigtail neutral
Tightening torque	35.4 lbf.in (4.0 N.m) 0.004...0.009 in ² (2.5...6 mm ²) (AWG 14...AWG 8)
Height	3.13 in (79.50 mm)
Width	1 in (25.4 mm)
Depth	2.98 in (75.69 mm)

Environment

Ambient Air Temperature for Operation	104 °F (40 °C)
---------------------------------------	----------------

Ordering and shipping details

Category	US1DE3D06301
Discount Schedule	DE3D
GTIN	785901741329
Returnability	Yes
Country of origin	MX

Price is "List Price" and may be subject to a trade discount – check with your local distributor or retailer for actual price.

Packing Units

Unit Type of Package 1	PCE
Nbr. of units in pkg.	1
Package 1 Height	1.60 in (4.064 cm)
Package 1 Width	4.30 in (10.922 cm)
Package 1 Length	5.90 in (14.986 cm)
Package weight(Lbs)	10.560 oz (299.371 g)
Unit Type of Package 2	CAR
Number of Units in Package 2	38
Package 2 Height	4.50 in (11.430 cm)
Package 2 Width	14.20 in (36.068 cm)
Package 2 Length	20.90 in (53.086 cm)
Package 2 Weight	25.999 lb(US) (11.793 kg)

Compliance

Compliance	TAA
------------	-----

Contractual warranty

Warranty	Lifetime
----------	----------

Environmental Data

Schneider Electric aims to achieve Net Zero status by 2050 through supply chain partnerships, lower impact materials, and circularity via our ongoing “Use Better, Use Longer, Use Again” campaign to extend product lifetimes and recyclability.

[Environmental Data explained >](#)

[How we assess product sustainability >](#)

Environmental footprint

[Environmental Disclosure](#)

[Product Environmental Profile](#)

Use Better

Materials and Substances

Packaging made with recycled cardboard

No

Packaging without single use plastic

Yes

[EU RoHS Directive](#)

Compliant with Exemptions

California proposition 65

WARNING: This product can expose you to chemicals including: Lead and lead compounds, which is known to the State of California to cause cancer and birth defects or other reproductive harm. For more information go to www.P65Warnings.ca.gov

Halogen content performance

Halogen free product

Use Again

Repack and remanufacture

[Circularity Profile](#)

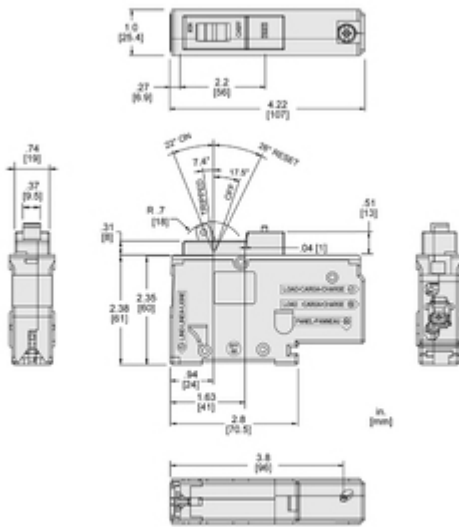
[End of Life Information](#)

Take-back

No

Technical Illustration

Dimensions



All dimensions are approximate. Also refer to technical drawings and documentation.