

2

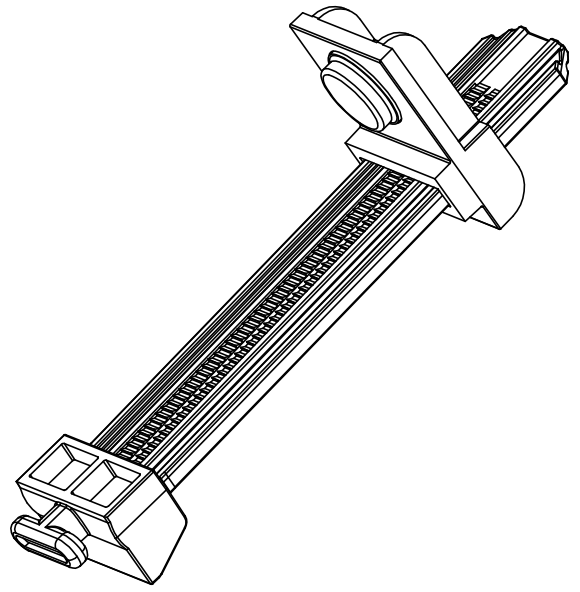
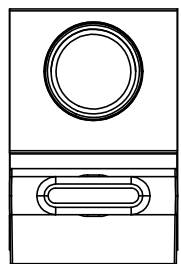
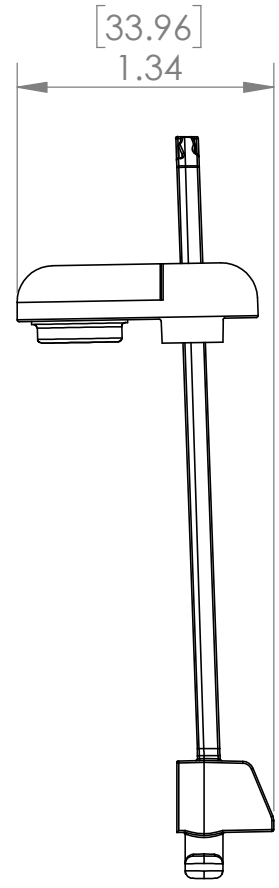
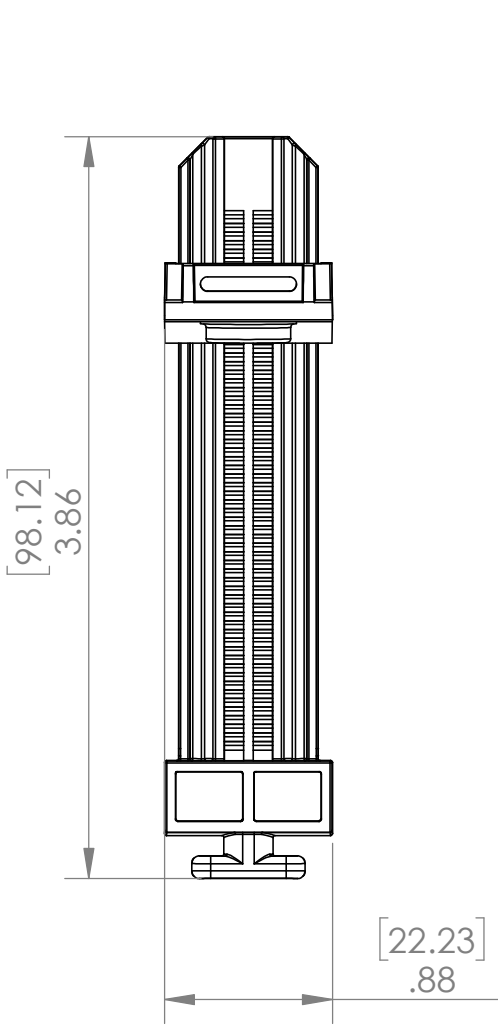
1

B

B

A

A



PROPRIETARY AND CONFIDENTIAL
 THE INFORMATION CONTAINED
 IN THIS DRAWING IS THE SOLE
 PROPERTY OF OnQ/LEGRAND.
 ANY REPRODUCTION IN PART OR
 AS A WHOLE WITHOUT THE WRITTEN
 PERMISSION OF OnQ/LEGRAND
 IS PROHIBITED. DRAWING IS SUBJECT
 TO CHANGE WITHOUT NOTICE.



P.O. Box 60907
 Harrisburg, PA 17106-0907
 1-800-321-2343

TITLE:
RATCHET CLAMP ASSEMBLY

SIZE	DWG NO	FILE NAME	CUST REV
A	AC1051-RC	CD-AC1051-RC	A
REVISED DATE	03/29/21	SCALE	SHEET
		1 : 1	1 OF 1

2

1