

A

B

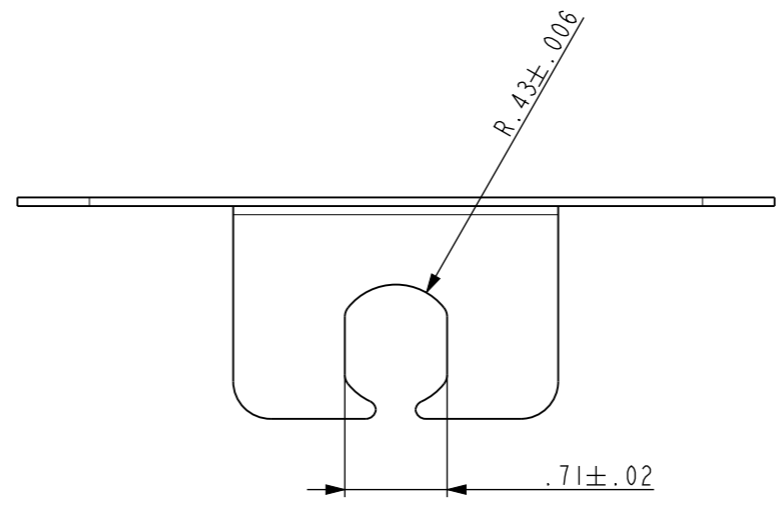
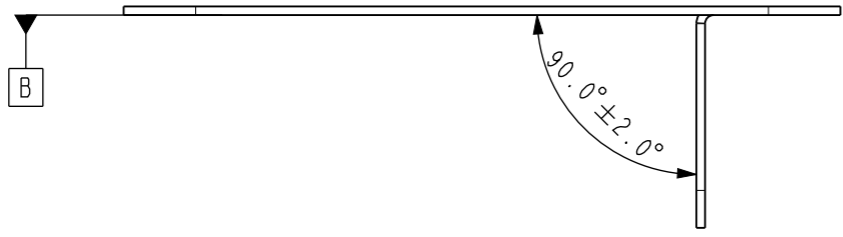
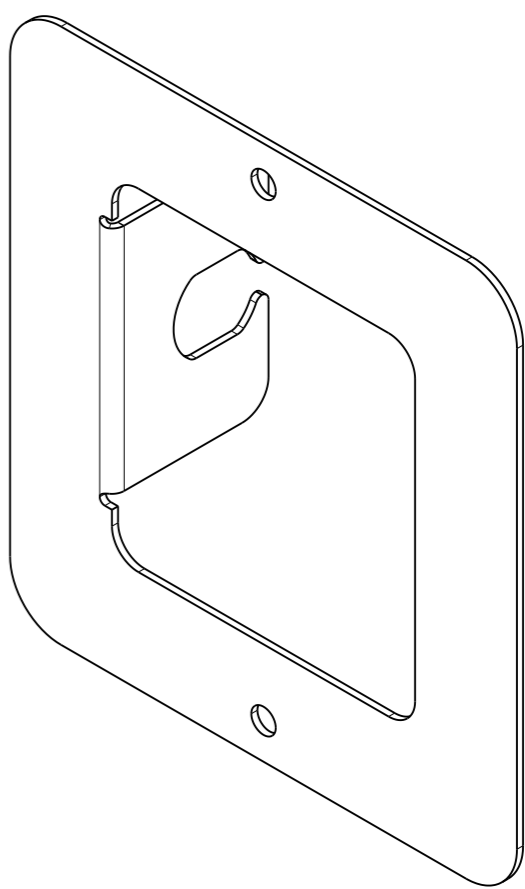
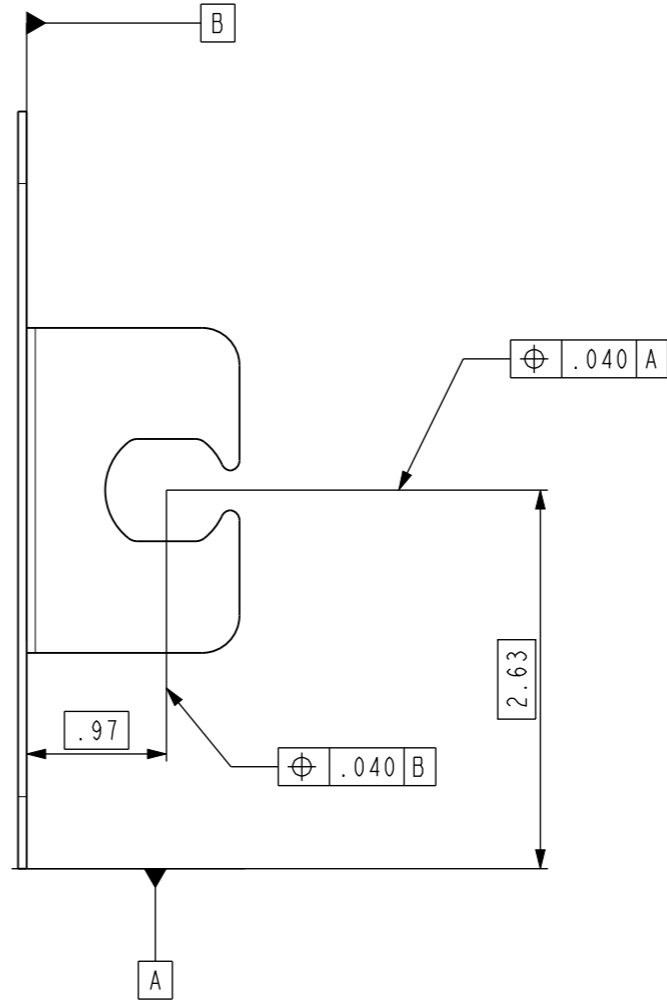
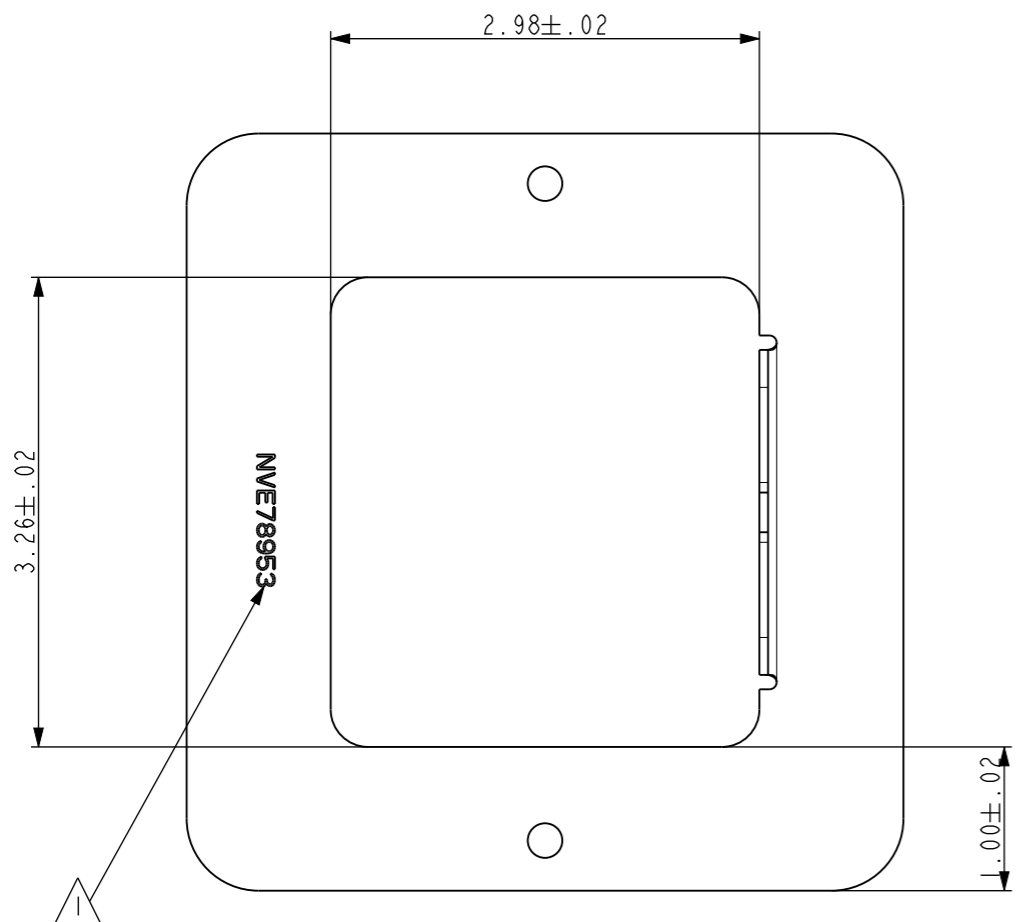
C

D

A

B

C



	Scale: 0.750	Technical Specification: ISO 8015 48050-040-01 - NORMAL CLASS TOLERANCE	Units of measure : in
		Document Description: FMK FOR SURGELOGIC HEPD50	
		Document Number: NVE7895302	Doc. Rev. Sheet: 01 1/1

The information is highly confidential and is the exclusive property of Schneider Electric copyright reserved. This drawing must not be used for any purpose other than that expressly permitted in writing by the owners and must not be disclosed or reproduced in any way without permission from the owners in writing. This drawing must be returned to the owners when the purpose has ceased.

State: Released for Manufacturing  
Printed on 2021/08/03