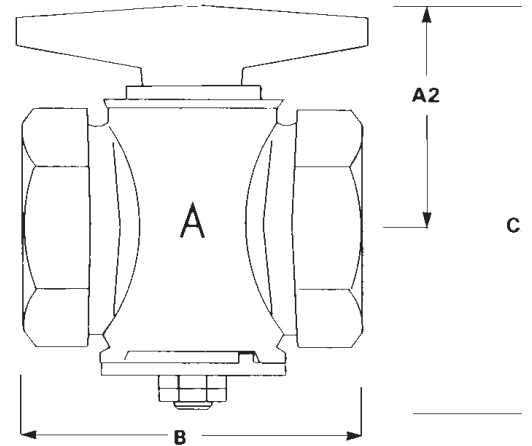
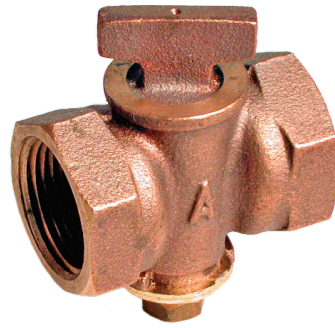


Gas Service Valves

87CBK

Bronze Gas Cock with FIP
Threaded Ends

- Tee Handle
- Double Nut
- with Check



DIMENSIONS:

		1/4	3/8	1/2	3/4	1	1 1/4	1 1/2	2
A2	Center of Port to Top	1 3/16	1 7/16	1 7/16	1 11/16	1 11/16	2 5/8	3 1/4	3 11/16
B	End to End	2 1/8	2 1/8	2 1/8	2 3/8	2 5/8	3 1/16	3 1/2	4 1/4
C2	Overall Height	2 11/16	2 11/16	2 11/16	3 1/8	3 1/8	4 7/16	5 7/16	6 1/8
D	Handle Length	1 7/8	1 7/8	1 7/8	2 1/8	2 1/8			
	Weight lbs. 87CBK	.48	.44	.47	.81	.81	1.84	2.80	4.70

Specifications for manually operated low-pressure gas cocks:

	1/4	3/8	1/2	3/4	1	1 1/4	1 1/2	2
Test Pressure	100 psi	100 psi	100 psi	100 psi	100 psi	100 psi	100 psi	100 psi
Max. Line Pressure	12 psi	12 psi	12 psi	12 psi	12 psi	12 psi	12 psi	12 psi
Min. Capacity-BTU/Hr. (1000 BTU per Cu. Ft. Gas)	216,000	216,000	260,000	698,000	1,192,000	1,768,000	3,097,000	5,346,000
Lineal & Circumferential Seal	7/64	7/34	7/64	7/64	1/8	5/32	7/32	5/16
Bearing Surface	15/64	15/64	15/64	15/64	1/4	9/32	11/32	13/32
Plug Take-Up	3/64	3/64	3/64	3/64	5/64	5/64	5/64	5/64
Shoulder Distance	7/16	1/2	9/16	5/8	3/4	13/16	13/16	7/8
Minimum Breakage Weight from Extreme Outlet End	65 lbs.	80	100	125	150	175	200	225
Minimum Turning Effort on Thread	157 in. lbs.	225	300	450	600	700	750	950
Minimum Impact Breaking Point	10ft lbs.	15	20	20	20	30	30	30
Minimum Static Load	40 lbs.	40	40	42.5	45	47.5	62.5	85
Maximum Torque	15 in. lbs.	20	25	35	45	60	80	100
# Threads Per Inch	18	18	14	14	11 1/2	11 1/2	11 1/2	11 1/2
Length of Thread	.4051	.4070	.5337	.5457	.6828	.7068	.7235	.7565
Height of Thread	.04444	.04444	.05714	.05714	.06957	.06957	.06957	.06957
Pitch of Thread	.05556	.05556	.07143	.07143	.08696	.08696	.08696	.08696



DATE: