

Product data sheet

Specifications

SQUARE D



Mini circuit breaker, QO, 15A, 1 pole, 120VAC, 22kA, bolt on, 6mA grd fault A, pigtail

QOB115VHGF1

Product availability: Stock - Normally stocked in distribution facility

Main

Product	Miniature circuit-breaker
Range	QO
Current Rating	15 A
Voltage Rating	120 V AC
Mounting Type	Bolt-on
Number of Poles	1P
Circuit Breaker Type	Ground fault protecting class A 6 mA
Ratings	Not rated
Electrical Connection	Pressure plate

Complementary

Interrupt Rating	22 kA 120 V AC
Number of Panel Spaces	1
Wire Size	AWG 14...AWG 8 copper AWG 12...AWG 8 aluminium
Tightening Torque	40.7 lbf.in (4.6 N.m) 0.004...0.02 in ² (2.5...10 mm ²) (AWG 16...AWG 14) 40.7 lbf.in (4.6 N.m) 0.006...0.03 in ² (4...20 mm ²) (AWG 12...AWG 4)
Height	4.1 in (105 mm)
Width	0.7 in (19 mm)
Depth	2.9 in (74 mm)
Net Weight	0.529 lb(US) (0.240 kg)

Environment

Certifications	UL Listed CSA
Ambient Rating	104 °F (40 °C)

Ordering and shipping details

Category	US10DE200015
Discount Schedule	0DE2
GTIN	785901520672
Returnability	Yes
Country of origin	MX

Price is "List Price" and may be subject to a trade discount – check with your local distributor or retailer for actual price.

Packing Units

Unit Type of Package 1	PCE
Nbr. of units in pkg.	1
Package 1 Height	1.30 in (3.302 cm)
Package 1 Width	3.80 in (9.652 cm)
Package 1 Length	5.50 in (13.970 cm)
Package weight(Lbs)	8.800 oz (249.476 g)

Contractual warranty

Warranty	18 months
----------	-----------



Environmental Data

Schneider Electric aims to achieve Net Zero status by 2050 through supply chain partnerships, lower impact materials, and circularity via our ongoing “Use Better, Use Longer, Use Again” campaign to extend product lifetimes and recyclability.

[Environmental Data explained >](#)

[How we assess product sustainability >](#)

Environmental footprint

[Environmental Disclosure](#)

[Product Environmental Profile](#)

Use Better

Materials and Substances

Packaging made with recycled cardboard

No

Packaging without single use plastic

Yes

[EU RoHS Directive](#)

Compliant

SCIP Number

Af42fb01-813d-40c0-ae28-b8b3299dbc99

REACH Regulation

[REACH Declaration](#)

California proposition 65

WARNING: Cancer and Reproductive Harm - www.P65Warnings.ca.gov

Halogen content performance

Halogen free product

Use Again

Repack and remanufacture

Circularity Profile

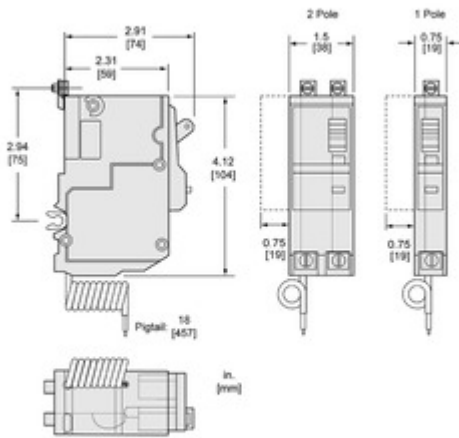
No need of specific recycling operations

Take-back

No

Technical Illustration

Dimensions



ALL DIMENSIONS ARE APPROXIMATE.
ALSO SEE TECHNICAL DRAWINGS AND DOCUMENTATION.

Technical Illustration

Wiring diagram

Typical One-Pole GFCI Wiring

