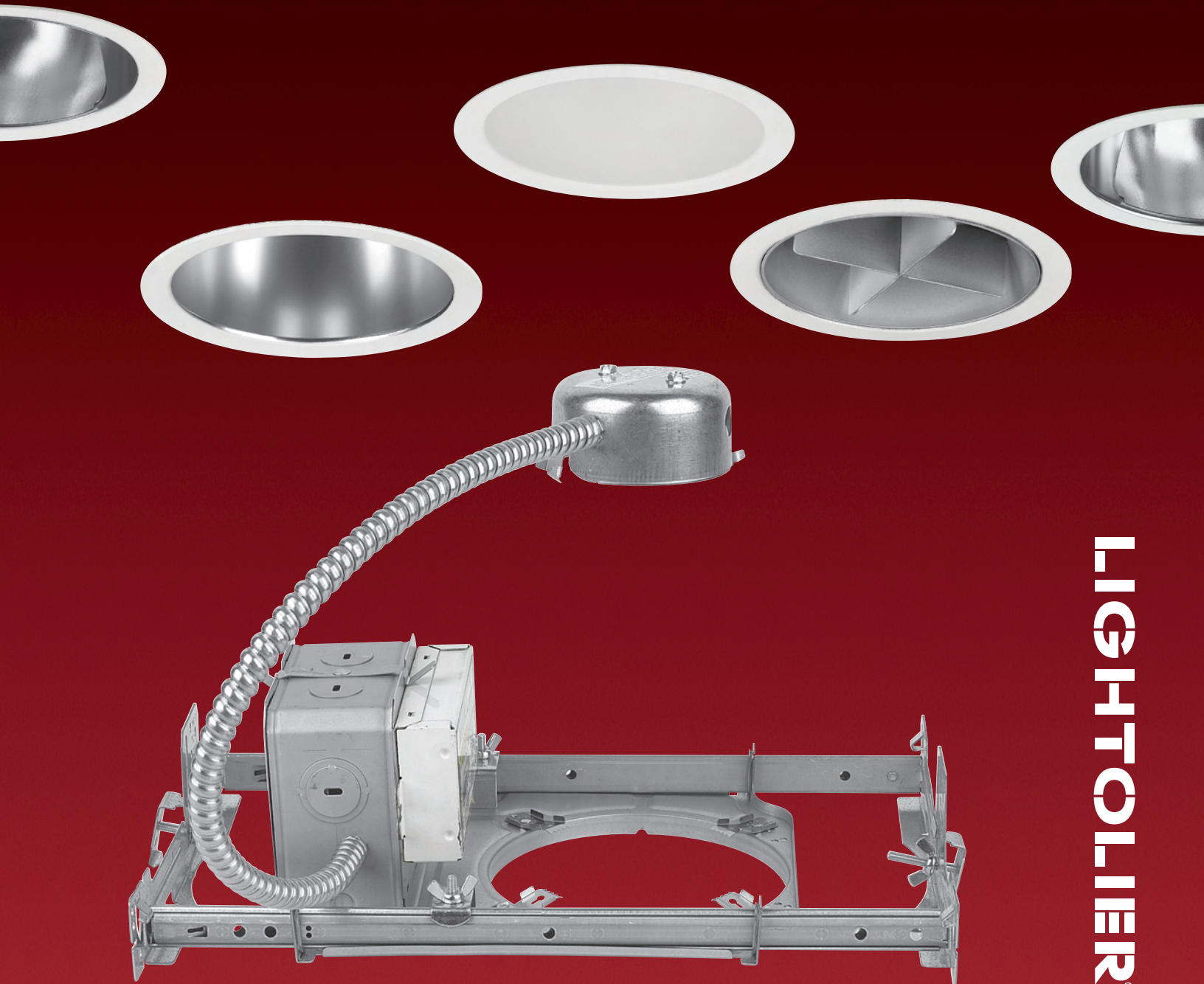


Uniframe

Lytecaster® Performance Compact Fluorescent

# Uniframe™



LIGHTOLIER®

## It's all about U, The Lighting Professional...

Uniframe professional optics provide the ultimate in performance and flexibility. All optics focus on a specific trim/lamp for a performance combination while offering multiple lamp options for increased flexibility.



### Vertical Reflectors



1001WH

#### Open Downlight

These trims are offered in 3¾", 5" and 6¾" aperture sizes with a Matte White, Specular Clear or Clear Diffuse finish. Specular Clear finish offers superior performance and provides an Iridescent Free coating to eliminate rainbowing. Clear Diffuse is a semi-specular finish that diffuses light and provides a soft, even illumination that minimizes the mirror image typically found on specular finishes. Matte White finish blends into ceiling for minimal impact on ceiling appearance.



1001CL



1001CD



1001CDDW

#### Wall Washer

Wall washers provide a smooth, even illumination over the length and height of a wall surface and roomside downlighting. The single wall washers are available in 3¾", 5", and 6¾" aperture sizes and the double wall washers are offered in 5" and 6¾" aperture sizes. All trims are available in Specular Clear, Clear Diffuse or Matte White finishes.



1001WHSW



1001CLSW



1001CDSW



2001CLF

#### Wet Location

Clear lens provides optimal lumen output and effective light distribution. Fresnel Lens provides improved shielding of the lamp source while effectively distributing light. Opal lens provides complete shielding of the lamp source and offers beautiful aesthetics. All three trims are offered in the 3¾" aperture sizes.



2001CDC



2001WHO

### Horizontal Reflectors



1001HCD

#### Open Downlight

Horizontal trims provide superior cut-off and shielding and use the standard frame-in kit. These open downlights offer a 60 degree cut off with up to 42W Triple Tube lampping. Trims are offered in 5" and 6¾" aperture sizes with a Specular Clear, Clear Diffuse or Matte White finish.



1001HWH



1001HCL



1001HCLSW

#### Wall Washer

Single wall washers provide a uniform distribution of light together with room side downlighting for demanding commercial applications. Trims are available in 5" and 6¾" aperture sizes in Specular Clear, Clear Diffuse or Matte White finishes.



1001HWSW



1001HCDSW



1001HACB

#### Shielded Downlight

New floating crossblade adds visual interest and redefines a classic look. The horizontal lampping provides additional shielding for exceptional visual comfort without sacrificing performance. Trims are available in 5" and 6¾" aperture sizes with an Aluminum or Matte White finish.



1001HWHCB



1001HCDF

#### Wet Location

Lensed horizontal trims provide superior shielding of the horizontal lamp source while providing the increased flexibility of a shallow trim that fits in 2' x 8' construction. All trims are offered in the 5" and 6¾" aperture sizes with Clear, Fresnel and Opal lens options.



1001HWHC

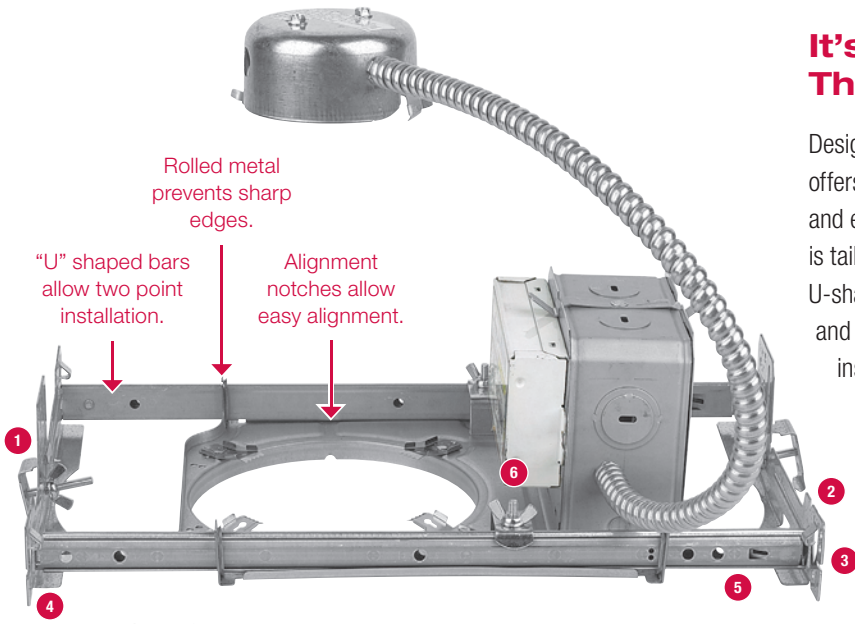


1001HCLO

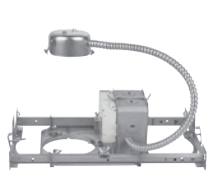
# Frame-In Kits

## It's all about U, The Contractor...

Designed with the Contractor in mind, Lytecaster offers new Uniframe frame-in kits that are quick and easy to install. Uniframe's unique "U" design is tailor made for commercial installations. The U-shape mounting bars add support to the frame and allow for two installation points. Tool-free installation adjusts to any size grid ceiling and locks panel in place for cleanest installations. These frames accept both horizontal and vertical optics and allow the use of most existing Lytecaster trims.

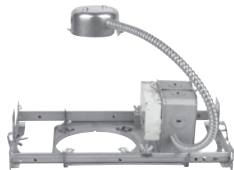


<p><b>Grid Lock</b> Inside (1) Outside (2)</p>	<p><b>Joist Finder</b> (2)</p>	<p><b>Nailing Tabs</b> (3)</p>	<p>(4) (5)</p>	<p><b>Horizontal Adjustment</b> (6)</p>
<p>Tool free installation in Grid Ceiling. Automatically adjusts to any T-Bar height, width, and ceiling thickness with our new Grid-Lock™.</p>	<p>Easily adaptable to wood construction with integrated nailing tabs and vertical alignment tabs for standard joists and strapping.</p>		<p>Design secures tile down on T-Bar eliminating the tile floating upward during trim installation.</p>	<p>Easily adjusts from 16" O.C. wood joists to 24" O.C. T-Bar. Locking mechanism eliminates frame movement.</p>



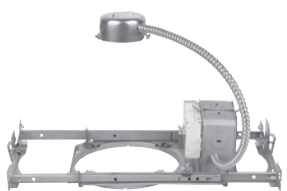
### 3 3/4" Non-IC Frame-In Kits

Frame-In Kit	Ceiling Type	Lamping
2001F13U	Non-IC	13W Triple/Quad
2001F18U	Non-IC	18W Triple



### 5" Non-IC Frame-In Kits

Frame-In Kit	Ceiling Type	Lamping	Frame-In Kit	Ceiling Type	Lamping
1001F13U	Non-IC	13W Triple/Quad	1001FD26L1	Dimming Lutron 120v	26W Triple
1001F18U	Non-IC	18W Triple	1001FD26L2	Dimming Lutron 277v	26W Triple
1001FR18U	Non-IC Remodeler	18W Triple	1001FD26MX1	Dimming Advance Mark10 120v	26W Triple
1001F18UEM	Non-IC Emergency	18W Triple	1001FD26MX2	Dimming Advance Mark10 277v	26W Triple
1001F26U	Non-IC	26W Triple	1001FD26M7U	Dimming Advance Mark7 120/277v	26W Triple
1001FR26U	Non-IC Remodeler	26W Triple			
1001F26UEM	Non-IC Emergency	26W Triple			



### 6 3/4" Non-IC Frame-In Kits

Frame-In Kit	Ceiling Type	Lamping	Frame-In Kit	Ceiling Type	Lamping
1101F18U	Non-IC	18W Triple/Quad	1101FD26L1	Dimming Lutron 120v	26W Triple/Quad
1101FR18U	Non-IC Remodeler	18W Triple/Quad	1101FD26L2	Dimming Lutron 277v	26W Triple/Quad
1101F2642U	Non-IC	26W Triple/Quad - 32/42W Triple	1101FD32L1	Dimming Lutron 120v	32W Triple
1101FR2642U	Non-IC Remodeler	26W Triple/Quad - 32/42W Triple	1101FD32L2	Dimming Lutron 277v	32W Triple
1101F2642UEM	Non-IC Emergency	26W Triple/Quad - 32/42W Triple	1101FD2642MX1	Dimming Advance Mark10 120v	26W Triple/Quad - 32/42W Triple
			1101FD2642MX2	Dimming Advance Mark10 277v	26W Triple/Quad - 32/42W Triple
			1101FD2642M7U	Dimming Advance Mark7 120/277v	26W Triple/Quad - 32/42W Triple



### The Distributor

- Simplified offering allows for minimal SKU's
- Stock one frame for both horizontal and vertical trims
- Dimming and Emergency is standard – allows for complete package
- All Uniframe Products come with a standard five year warranty

### The Contractor

- Quick and easy installation
- Tool-free installation in grid ceiling
- Easily adaptable to wood construction
- U-Shaped mounting bars allow for two point installation
- Automatically adjusts to any T-Bar height, width, and ceiling thickness
- Locking mechanism eliminates frame movement
- Easily adjusts from 16" O.C. wood joists to 24" O.C. T-Bar

### The Lighting Professional

- All optics focus on a specific trim/lamp for a performance combination
- Optics offer multiple lamp options for increased flexibility
- Three aperture sizes with wattages up to 42W Triple Tube
- 60° minimum cutoff
- Horizontal trims provide superior cut off and shielding



Finish Options



Aluminum Crossblade



Matte White

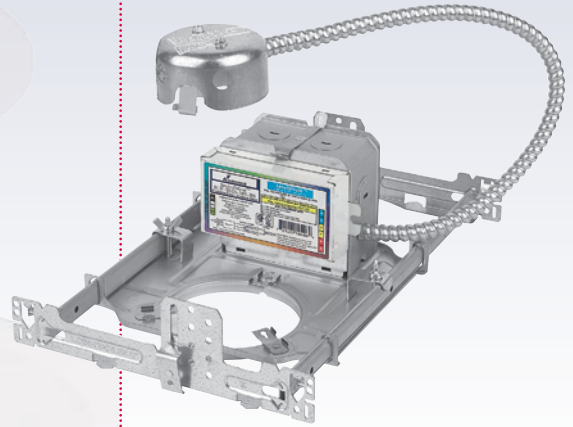


Clear Diffuse



Specular Clear

3¾" Non-IC Frame-In Kits



Frame-In Kit	Ceiling Type	Lamping
2001F13U	Non-IC	13W Triple/Quad
2001F18U	Non-IC	18W Triple

Vertical Reflectors



<b>A</b>	Aluminum
<b>CD</b>	Clear Diffuse
<b>CL</b>	Specular Clear
<b>WH</b>	Matte White

Open Downlight

- 2001CL
- 2001CD
- 2001WH

Single Wall Wash

- 2001CLSW
- 2001CDSW
- 2001WHSW

Clear Lens

- 2001CLC
- 2001CDC
- 2001WHC

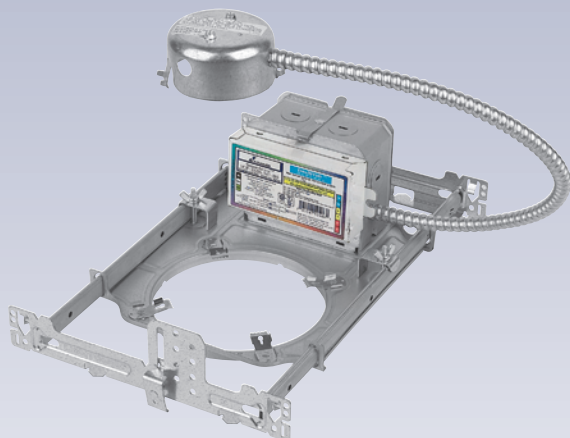
Fresnel Lens

- 2001CLF
- 2001CDF
- 2001WHF

Opal Lens

- 2001CLO
- 2001CDO
- 2001WHO

### 5" Non-IC Frame-In Kits



#### Horizontal Reflectors

#### Vertical Reflectors



**Clear Lens**

- 1001HCLC
- 1001HCDC
- 1001HWHC

**Open Downlight**

- 1001HCL
- 1001HCD
- 1001HWH

**Fresnel Lens**

- 1001HCLF
- 1001HCDF
- 1001HWHF

**Single Wall Wash**

- 1001HCLSW
- 1001HCDSW
- 1001HWHSW

**Opal Lens**

- 1001HCLO
- 1001HCDO
- 1001HWHO

**Shielded Downlight Crossblade**

- 1001HACB
- 1001HWHCB



**Open Downlight**

- 1001CL
- 1001CD
- 1001WH

**Single Wall Wash**

- 1001CLSW
- 1001CDSW
- 1001WHSW

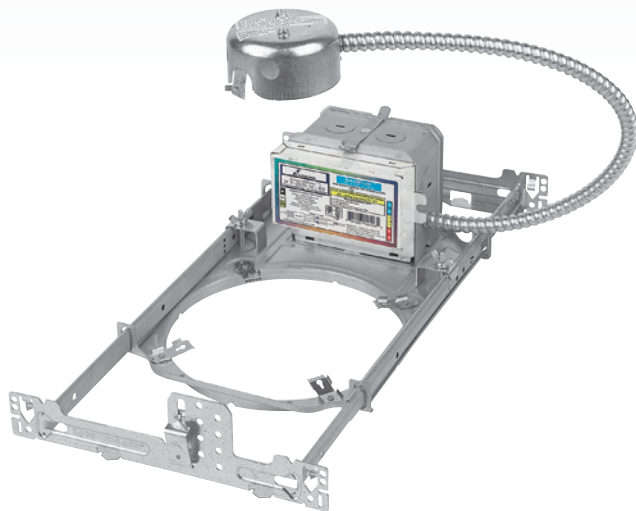
**Double Wall Wash**

- 1001CLDW
- 1001CDDW
- 1001WHDW

Frame-In Kit	Ceiling Type	Lamping	Frame-In Kit	Ceiling Type	Lamping
1001F13U	Non-IC	13W Triple/Quad	1001FD26L1	Dimming Lutron 120v	26W Triple
1001F18U	Non-IC	18W Triple	1001FD26L2	Dimming Lutron 277v	26W Triple
1001FR18U	Non-IC Remodeler	18W Triple	1001FD26MX1	Dimming Advance Mark10 120v	26W Triple
1001F18UEM	Non-IC Emergency	18W Triple	1001FD26MX2	Dimming Advance Mark10 277v	26W Triple
1001F26U	Non-IC	26W Triple	1001FD26M7U	Dimming Advance Mark7 120/277v	26W Triple
1001FR26U	Non-IC Remodeler	26W Triple			
1001F26UEM	Non-IC Emergency	26W Triple			

<b>A</b>	Aluminum
<b>CD</b>	Clear Diffuse
<b>CL</b>	Specular Clear
<b>WH</b>	Matte White

### 6¾" Non-IC Frame-In Kits



#### Horizontal Reflectors

#### Vertical Reflectors



**Clear Lens**

- 1101HCLC
- 1101HCDC
- 1101HWHC

**Open Downlight**

- 1101HCL
- 1101HCD
- 1101HWH

**Fresnel Lens**

- 1101HCLF
- 1101HCDF
- 1101HWHF

**Single Wall Wash**

- 1101HCLSW
- 1101HCDSW
- 1101HWHSW

**Opal Lens**

- 1101HCLO
- 1101HCDO
- 1101HWHO

**Shielded Downlight Crossblade**

- 1101HACB
- 1101HWHCB



**Open Downlight**

- 1101CL
- 1101CD
- 1101WH

**Single Wall Wash**

- 1101CLSW
- 1101CDSW
- 1101WHSW

**Double Wall Wash**

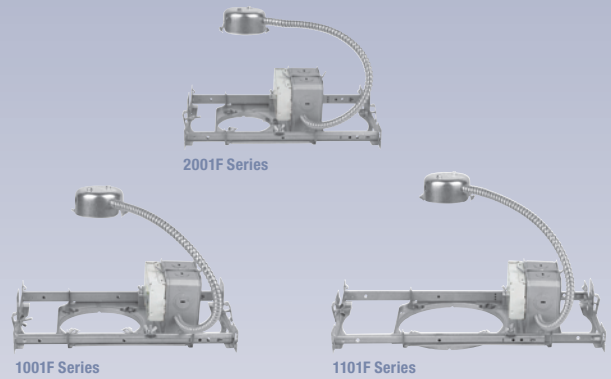
- 1101CLDW
- 1101CDDW
- 1101WHDW

Frame-In Kit	Ceiling Type	Lamping	Frame-In Kit	Ceiling Type	Lamping
1101F18U	Non-IC	18W Triple/Quad	1101FD26L1	Dimming Lutron 120v	26W Triple/Quad
1101FR18U	Non-IC Remodeler	18W Triple/Quad	1101FD26L2	Dimming Lutron 277v	26W Triple/Quad
1101F2642U	Non-IC	26W Triple/Quad - 32/42W Triple	1101FD32L1	Dimming Lutron 120v	32W Triple
1101FR2642U	Non-IC Remodeler	26W Triple/Quad - 32/42W Triple	1101FD32L2	Dimming Lutron 277v	32W Triple
1101F2642UEM	Non-IC Emergency	26W Triple/Quad - 32/42W Triple	1101FD2642MX1	Dimming Advance Mark10 120v	26W Triple/Quad - 32/42W Triple
			1101FD2642MX2	Dimming Advance Mark10 277v	26W Triple/Quad - 32/42W Triple
			1101FD2642M7U	Dimming Advance Mark7 120/277v	26W Triple/Quad - 32/42W Triple

<b>A</b>	Aluminum
<b>CD</b>	Clear Diffuse
<b>CL</b>	Specular Clear
<b>WH</b>	Matte White

## Additional Flexibility with UniFRAME

Lytecaster continually strives for consistent quality and value while offering flexibility and options throughout the product line. Uniframe continues that tradition by offering a system that is compatible with over 150 Lytecaster trims, including more than 60 new performance optics in addition to 90 existing 5" and 6¾" trims. These 150+ trim options allow you the flexibility to adapt to any size project. To assist you with your lighting selection, Lytecaster rates its products good, better, or best based on its performance or features.



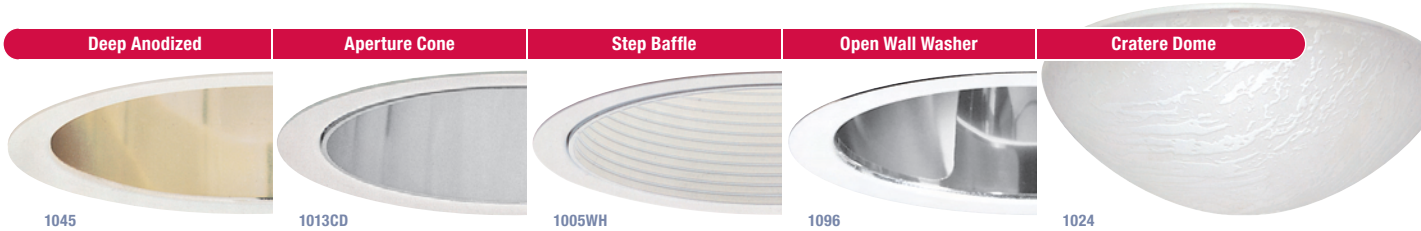
### Best ★★★

Uniframe performance trims feature dedicated horizontal and vertical optics suitable for commercial projects. Designed with cutoffs from 60-65 degrees, these trims provide excellent glare control and lamp shielding as well as wattages up to a 42W Triple Tube. The matte white architectural flange blends with most ceilings and complements the Specular Clear, Clear Diffuse, Aluminum and Matte White finish options.



### Better★★

These trims feature highly specular anodized finishes or anodized upper reflectors with visually appealing narrow matte white flanges. Select trims offer double slot lamp positioning providing better lamp shielding and greater lamp and wattage selection. Designed around several lamp types and wattages, these trims offer additional flexibility and good optic control.

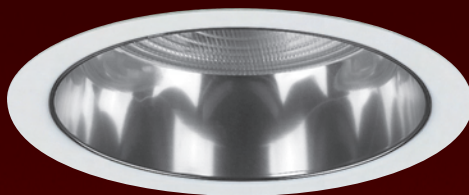


### Good★

These trims feature a high gloss painted white finish and wider "residential" trim flange. The single slot lamp positioning provides good lamp shielding and provides the user with standard lamp and wattage selections. It is an excellent choice for budget applications.



Visit our web site at [www.Lightolier.com](http://www.Lightolier.com) for our complete product offering.



**Lightolier®**  
a Genlyte company


631 Airport Road  
Fall River, MA 02720  
Phone (508) 679-8131  
Fax (508) 674-4710  
[www.lightolier.com](http://www.lightolier.com)

3015 Rue Louis Amos  
Lachine (Quebec) H8T 1C4  
Phone (514) 636-0670  
[www.canlyte.com](http://www.canlyte.com)



© 2007 Genlyte Group LLC.  
All rights reserved. Certain products illustrated in this catalog may be protected by applicable patents and patents pending. Lightolier will aggressively defend all of its intellectual property. We reserve the right to change details of design, materials and finishes.

A.I.A. Division 16  
Brochure LOL7058  
Rev. 4/07

 Some luminaires use fluorescent or high intensity discharge (HID) lamps that contain small amounts of mercury. Such lamps are labeled "Contains Mercury" and/or with the symbol "Hg." Lamps that contain mercury must be disposed of in accordance with local requirements. Information regarding lamp recycling and disposal can be found at [www.lamprecycle.org](http://www.lamprecycle.org).

Printed in the U.S.A.



It's all about you.