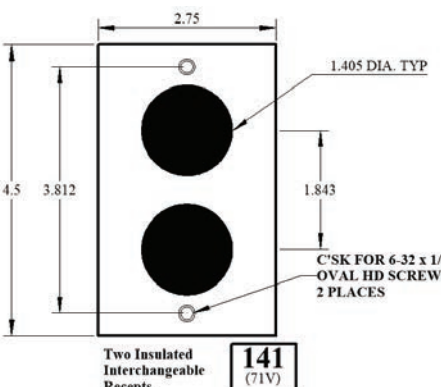
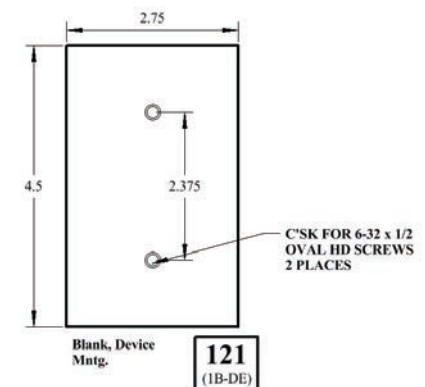
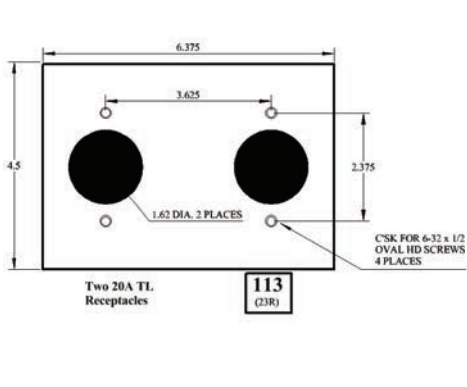
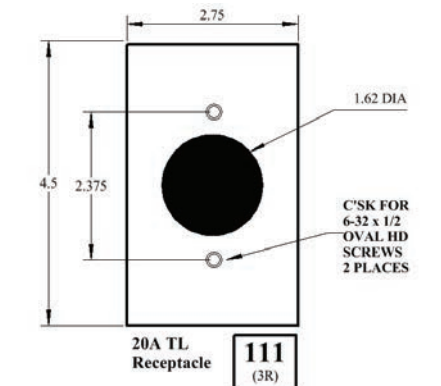
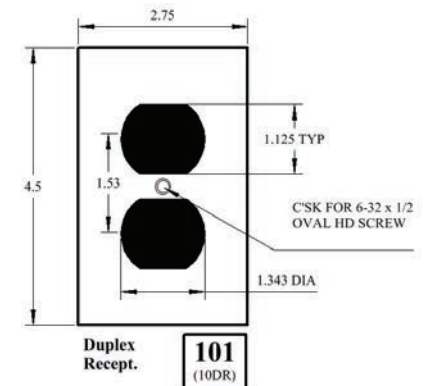
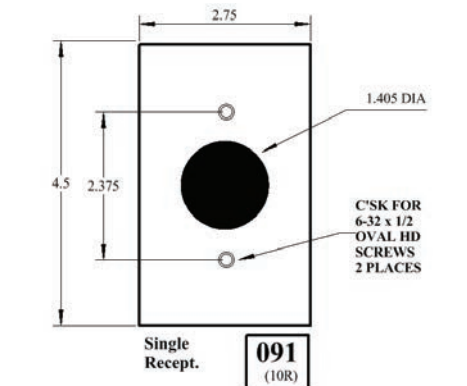
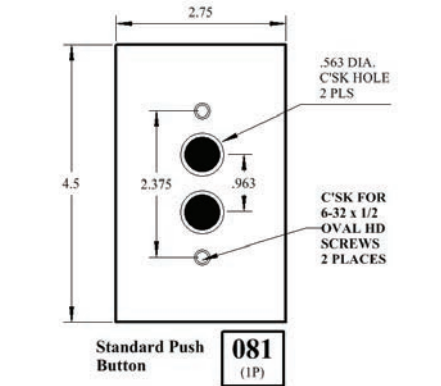
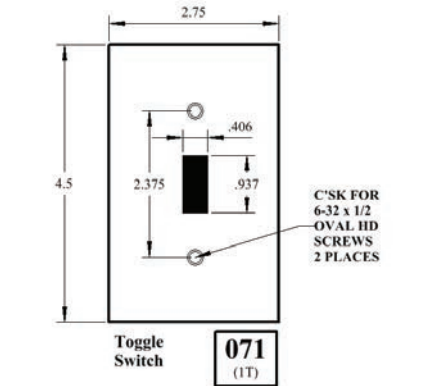
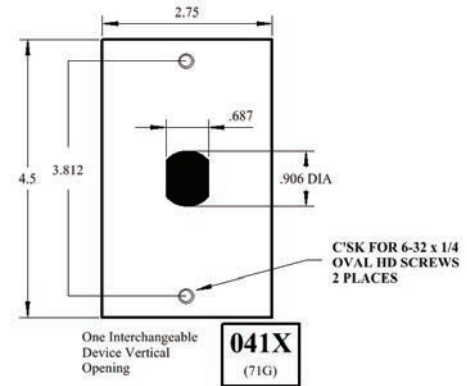
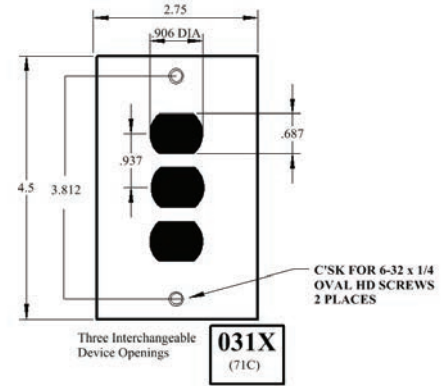
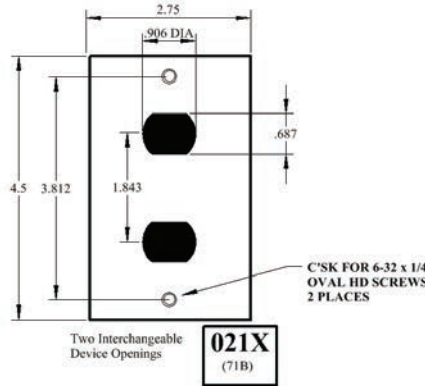
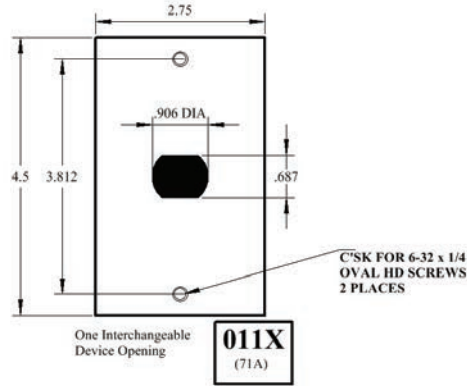
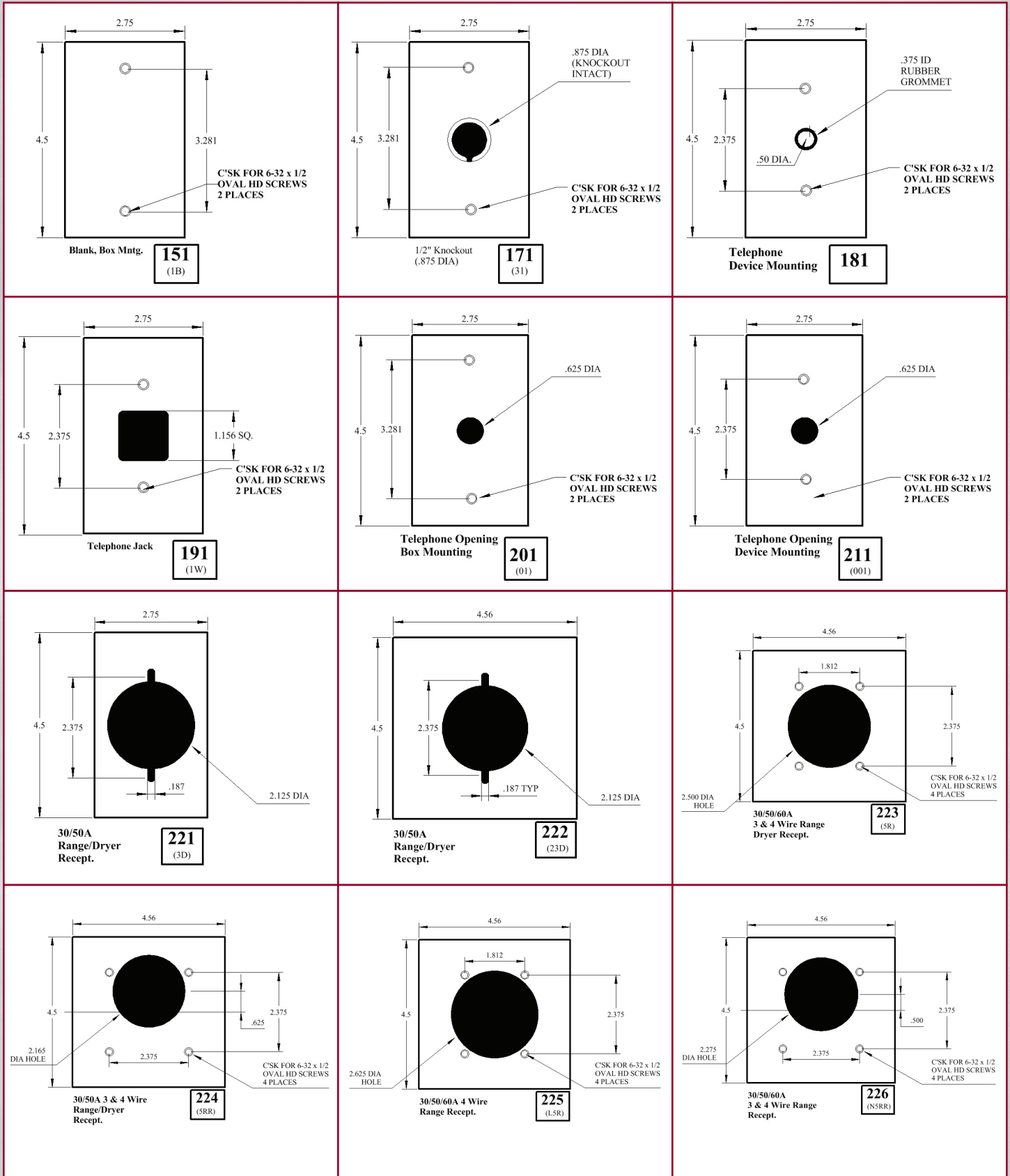


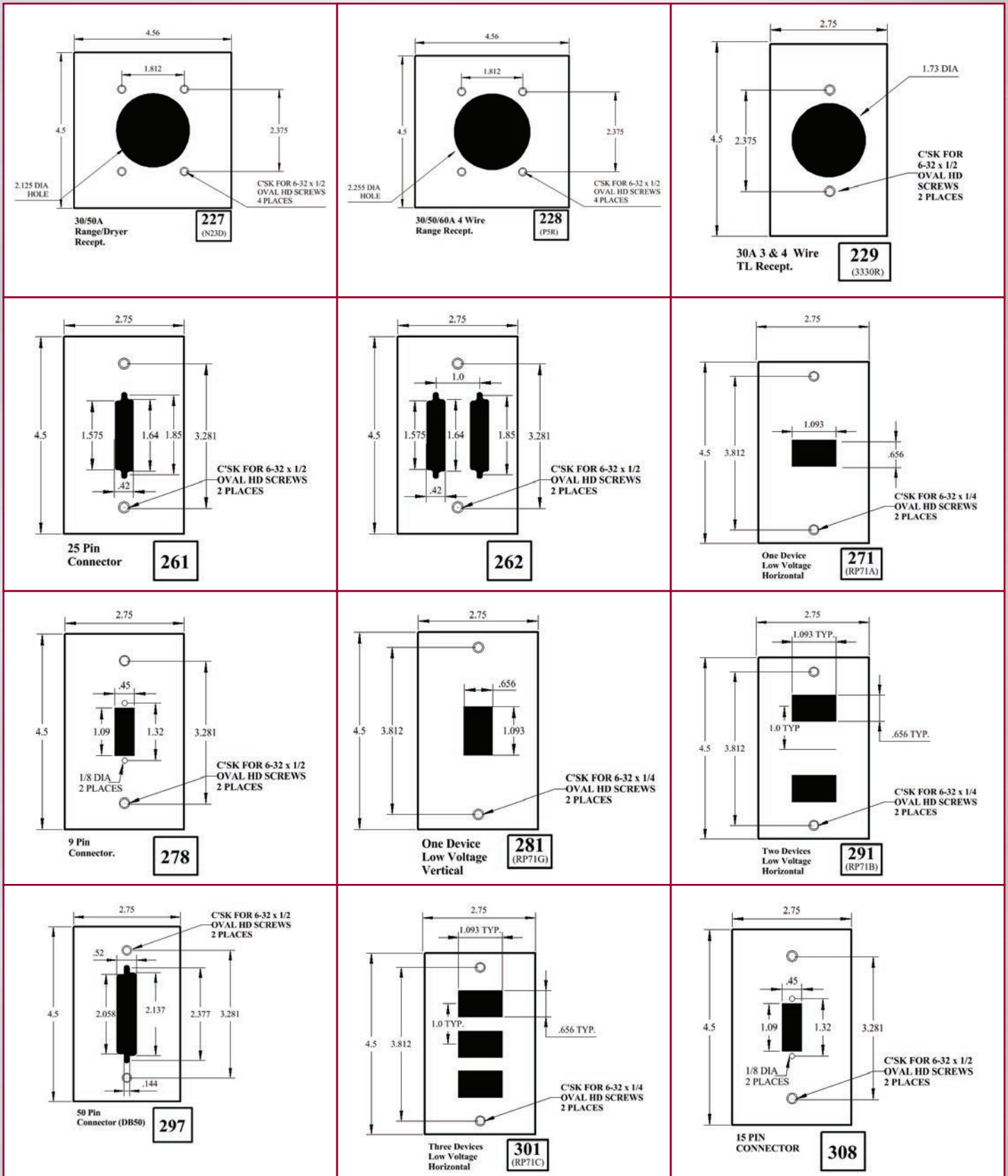
OPENING SELECTOR GUIDE FOR CUSTOM PLATES



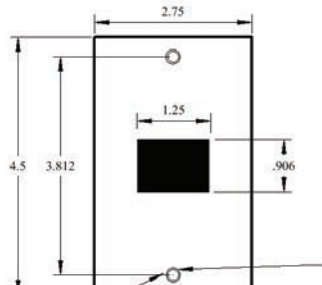
OPENING SELECTOR GUIDE FOR CUSTOM PLATES



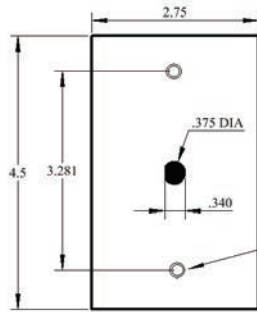
OPENING SELECTOR GUIDE FOR CUSTOM PLATES



OPENING SELECTOR GUIDE FOR CUSTOM PLATES

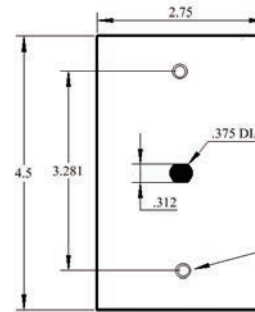


C'SK FOR 6-32 x 1/4 OVAL HD SCREWS 2 PLACES
One Device Spec. Grade Low Voltage
311
(RPS71A)



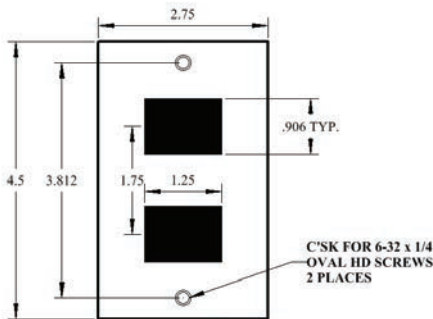
Lock Switch D opening .340 x .375"
314

C'SK FOR 6-32 x 1/2 OVAL HD SCREWS 2 PLACES



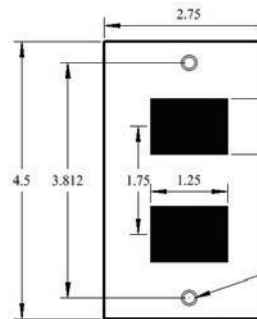
Lock Switch Double-D opening .312 x .375"
315

C'SK FOR 6-32 x 1/2 OVAL HD SCREWS 2 PLACES



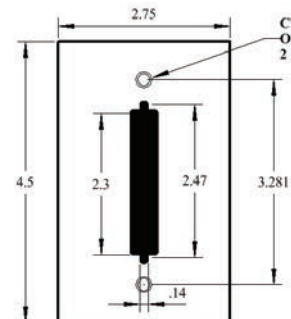
Two Devices Spec. Grade Low Voltage
321
(RPS71B)

C'SK FOR 6-32 x 1/4 OVAL HD SCREWS 2 PLACES



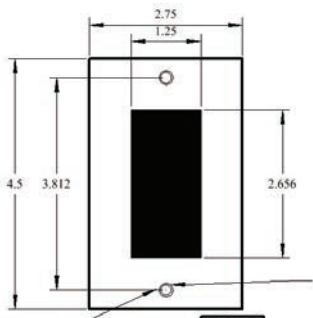
Two Devices Spec. Grade Low Voltage
321
(RPS71C)

C'SK FOR 6-32 x 1/4 OVAL HD SCREWS 2 PLACES

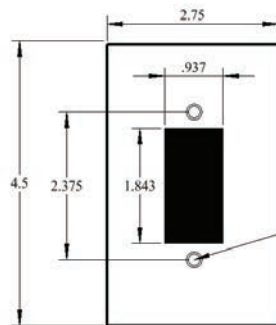


37 Pin Connector
327
(DB37)

C'SK FOR 6-32 x 1/2 OVAL HD SCREWS 2 PLACES

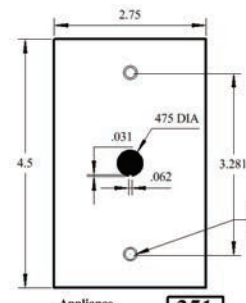


C'SK FOR 6-32 x 1/4 OVAL HD SCREWS 2 PLACES
Three Devices Spec. Grade Low Voltage
331
(RPS71C)



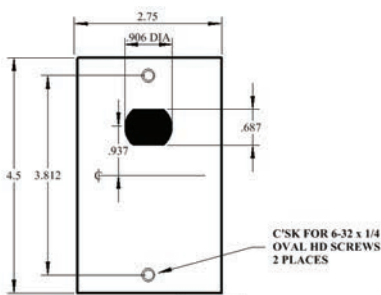
Leviton Centura Switch
341
(CS)

C'SK FOR 6-32 x 1/2 OVAL HD SCREWS 2 PLACES



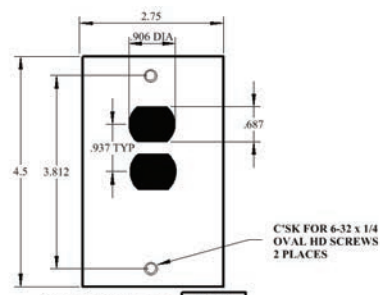
Appliance Switch
351
(A)

C'SK FOR 6-32 x 1/2 OVAL HD SCREWS 2 PLACES



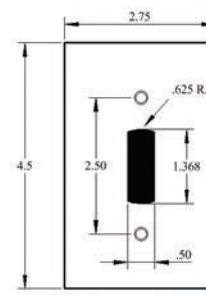
One Interchangeable Device Opening, Offset
358
(71AX)

C'SK FOR 6-32 x 1/4 OVAL HD SCREWS 2 PLACES



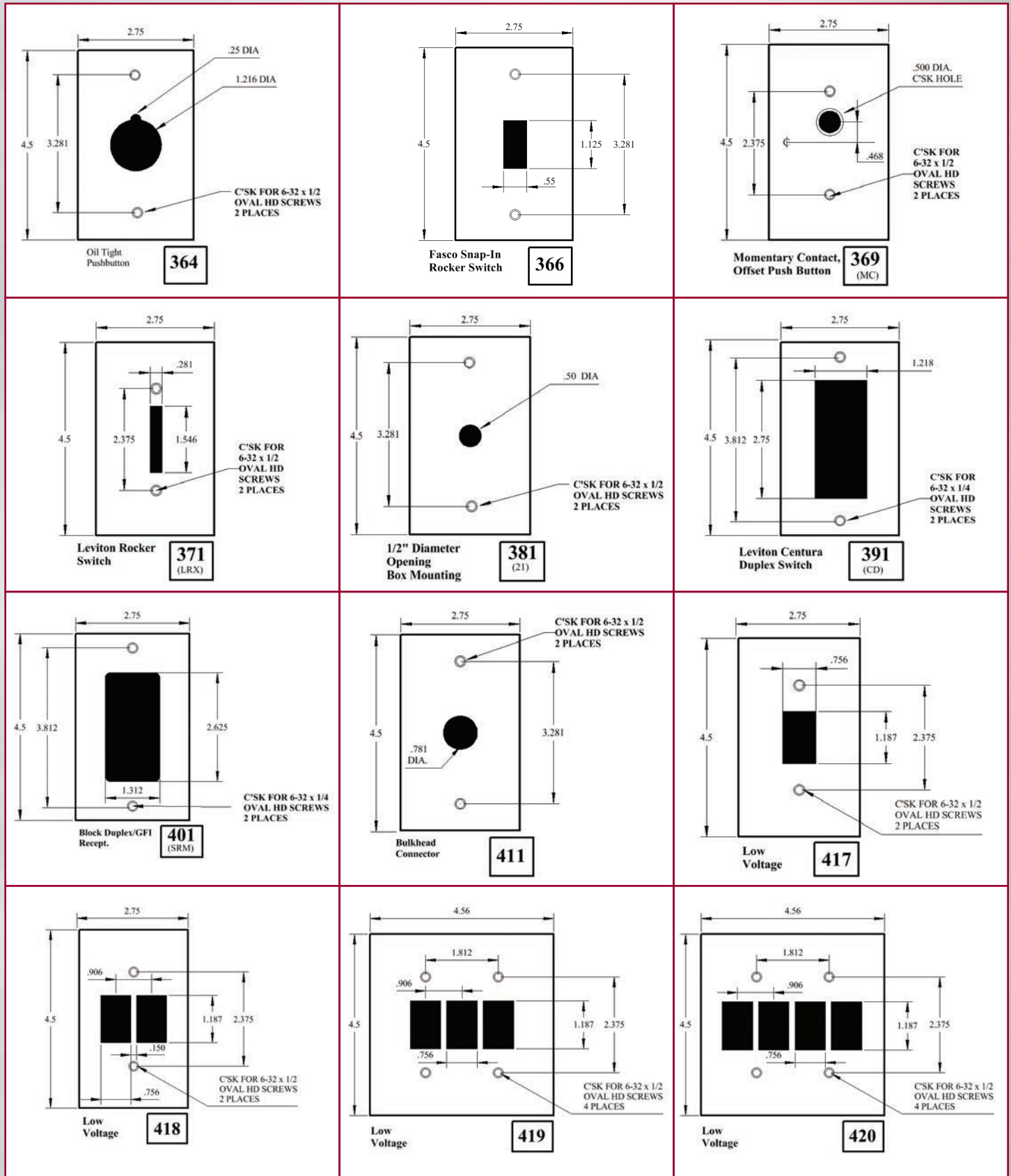
Two Interchangeable Device Openings, Offset
359
(71BX)

C'SK FOR 6-32 x 1/4 OVAL HD SCREWS 2 PLACES

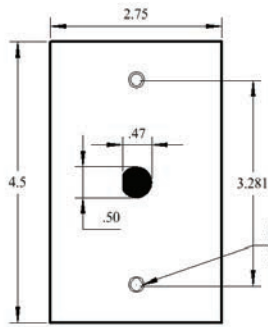


Theiler F-touch Rocker Switch
361

OPENING SELECTOR GUIDE FOR CUSTOM PLATES



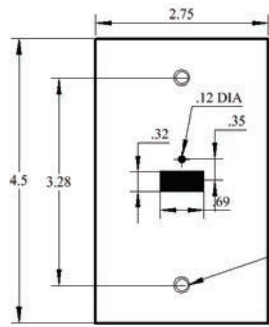
OPENING SELECTOR GUIDE FOR CUSTOM PLATES



Coaxial Connector BNC

431

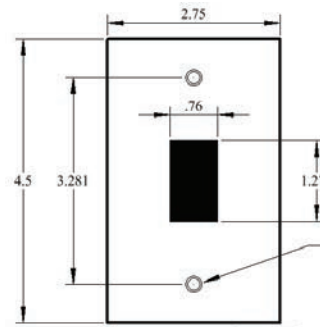
C'SK FOR 6-32 x 1/2 OVAL HD SCREWS 2 PLACES



HDMI Box Mounting

458
(HDMI)

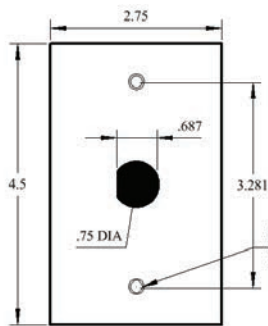
C'SK FOR 6-32 x 1/2 OVAL HD SCREWS 2 PLACES



Snap-in Low Voltage (RS2)

459

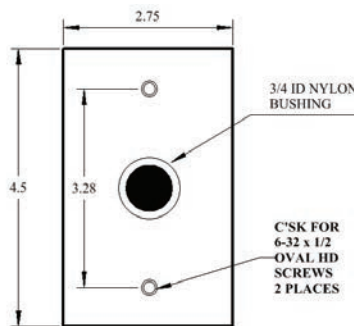
C'SK FOR 6-32 x 1/2 OVAL HD SCREWS 2 PLACES



Lock Switch

460
(3/4D)

C'SK FOR 6-32 x 1/2 OVAL HD SCREWS 2 PLACES

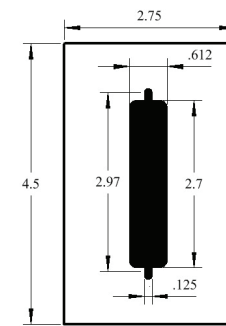


Telephone

461

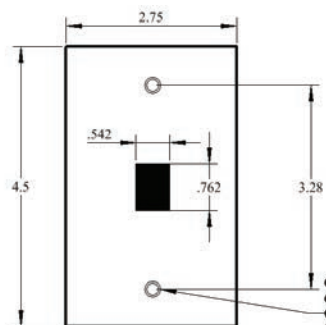
3/4 ID NYLON BUSHING

C'SK FOR 6-32 x 1/2 OVAL HD SCREWS 2 PLACES



50 Pin Data Connector

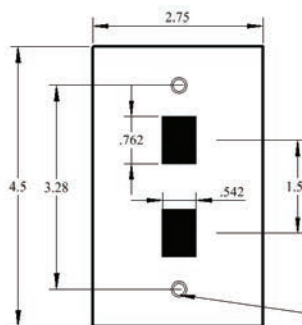
466



RJ11 / 4-6 Wire Modular Opening

467

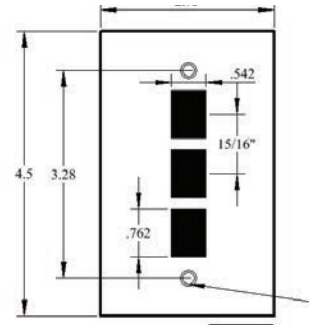
C'SK FOR 6-32 x 1/2 OVAL HD SCREWS 2 PLACES



Two RJ11 / 4-6 Wire Modular Openings

468

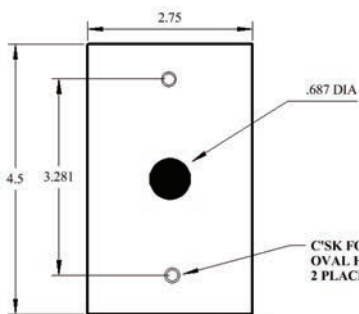
C'SK FOR 6-32 x 1/2 OVAL HD SCREWS 2 PLACES



Three RJ11 / 4-6 Wire Modular Openings

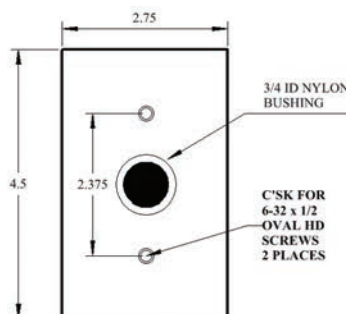
469

C'SK FOR 6-32 x 1/2 OVAL HD SCREWS 2 PLACES



470

C'SK FOR 6-32 x 1/2 OVAL HD SCREWS 2 PLACES

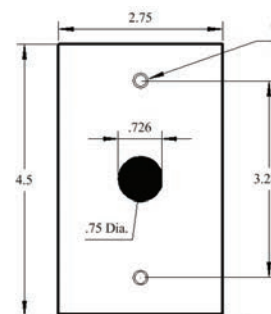


Telephone

471

C'SK FOR 6-32 x 1/2 OVAL HD SCREWS 2 PLACES

3/4 ID NYLON BUSHING

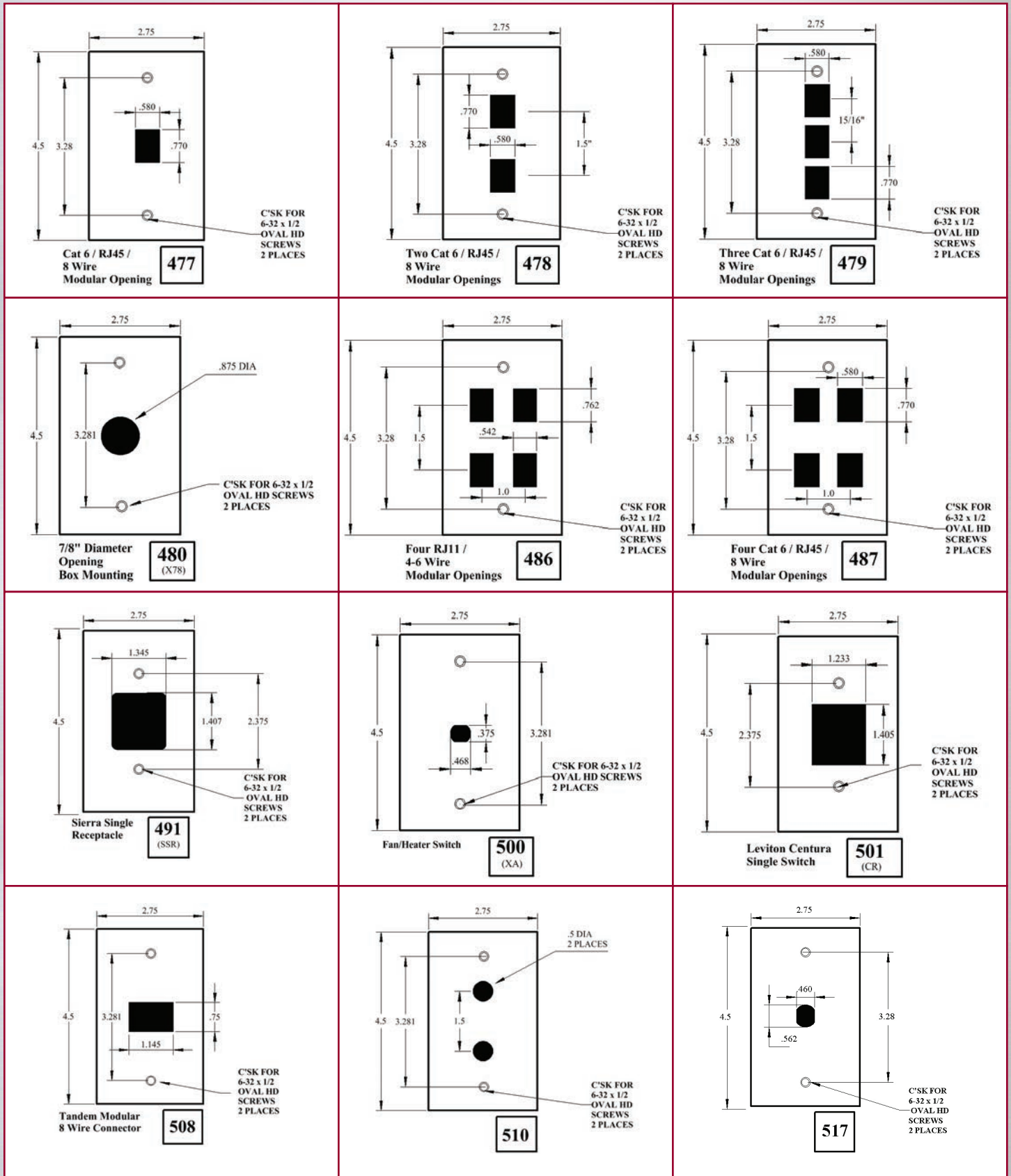


Twin Axial Connector

475

C'SK FOR 6-32 x 1/2 OVAL HD SCREWS 2 PLACES

OPENING SELECTOR GUIDE FOR CUSTOM PLATES



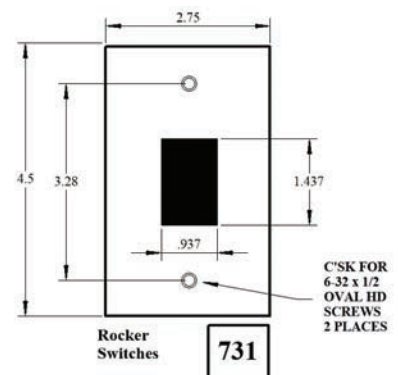
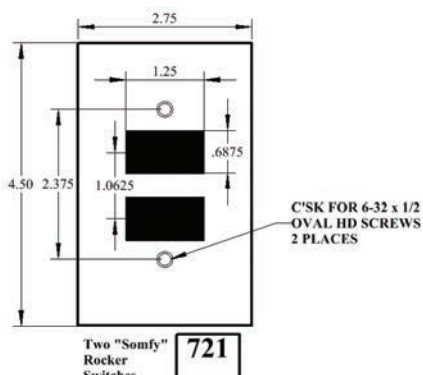
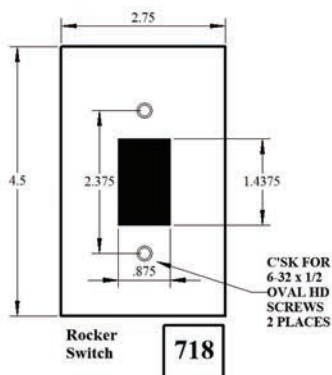
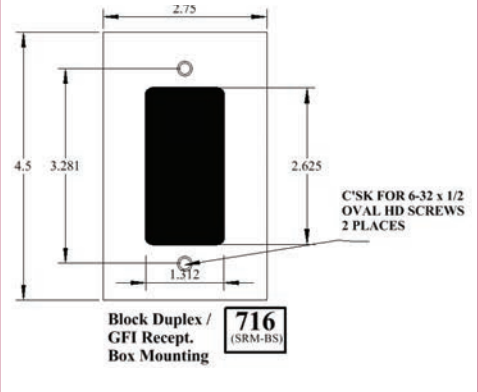
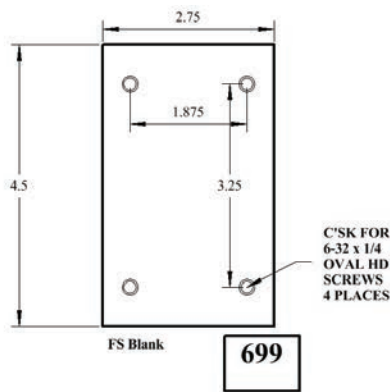
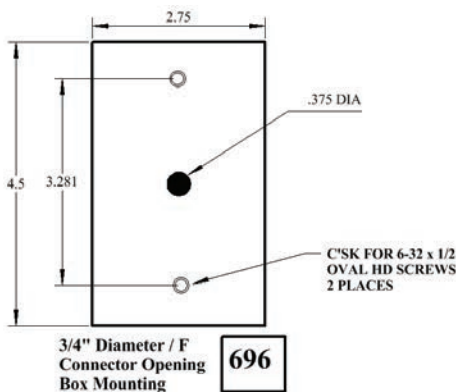
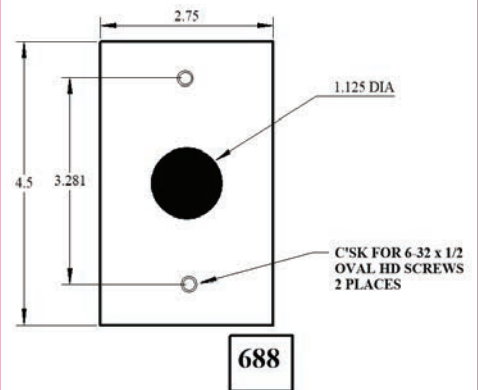
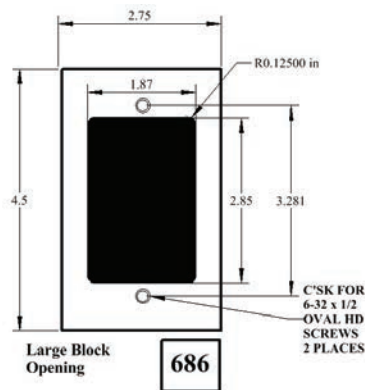
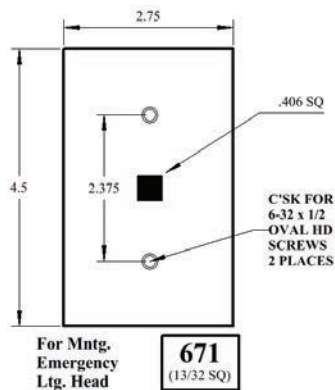
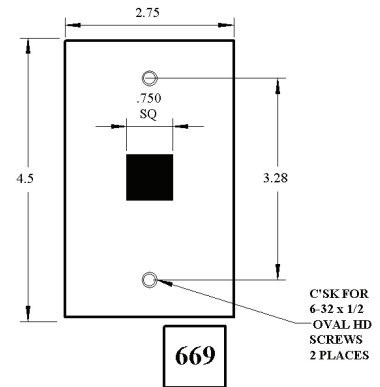
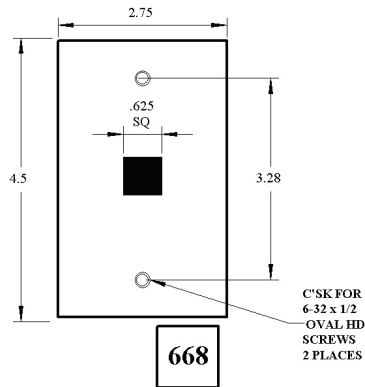
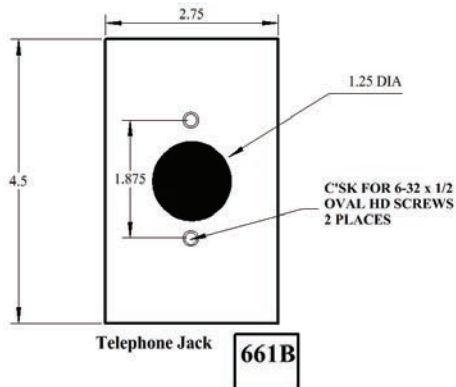
OPENING SELECTOR GUIDE FOR CUSTOM PLATES

<p>3.75 DIA 2 PLACES</p> <p>C'SK FOR 6-32 x 1/2 OVAL HD SCREWS 2 PLACES</p> <p>F Connector 520</p>	<p>.75 DIA</p> <p>.67</p> <p>C'SK FOR 6-32 x 1/2 OVAL HD SCREWS 2 PLACES</p> <p>Key Switch Double-D opening .67 x .75" 528</p>	<p>.750 DIA</p> <p>C'SK FOR 6-32 x 1/2 OVAL HD SCREWS 2 PLACES</p> <p>3/4" Diameter Opening Box Mounting 530 (X75)</p>
<p>.125</p> <p>2.375</p> <p>1.5</p> <p>C'SK FOR 6-32 x 1/2 OVAL HD SCREWS 2 PLACES</p> <p>Slot for Razor Blades 550 (RBB)</p>	<p>.47</p> <p>.5</p> <p>1.5</p> <p>3.281</p> <p>C'SK FOR 6-32 x 1/2 OVAL HD SCREWS 2 PLACES</p> <p>Coaxial Connector BNC 551</p>	<p>1.0 SQ</p> <p>C'SK FOR 6-32 x 1/2 OVAL HD SCREWS 2 PLACES</p> <p>IBM Type Data Connector 557</p>
<p>1.015</p> <p>.852</p> <p>.992</p> <p>.790</p> <p>.690</p> <p>C'SK FOR 6-32 x 1/2 OVAL HD SCREWS 2 PLACES</p> <p>IBM Type Data Connector 558</p>	<p>1.015</p> <p>.852</p> <p>.992</p> <p>.790</p> <p>.690</p> <p>IBM Type Data Connector 559</p>	<p>1.062</p> <p>2.906</p> <p>C'SK FOR 6-32 x 1/4 OVAL HD SCREWS 2 PLACES</p> <p>Biplax / Triplex 561 (SLR)</p>
<p>1.0 ID PLASTIC</p> <p>1.375 DIA or 1.405 DIA</p> <p>C'SK FOR 6-32 x 1/2 OVAL HD SCREWS 2 PLACES</p> <p>Telephone 1" Inner Diameter Plastic Grommet 581</p>	<p>.625 ID METAL BUSHING</p> <p>C'SK FOR 6-32 x 1/2 OVAL HD SCREWS 2 PLACES</p> <p>Telephone Opening With Metal Bushing 591 (61)</p>	<p>1.718</p> <p>.468</p> <p>C'SK FOR 6-32 x 1/2 OVAL HD SCREWS 2 PLACES</p> <p>Long Toggle DPDT 600 (LT)</p>

OPENING SELECTOR GUIDE FOR CUSTOM PLATES

<p>"Somfy" Rocker Switch 601</p>	<p>Blank, Interchangeable Mounting 611</p>	<p>620</p>
<p>Lutron Dimmer Nova: screwholes to be specified 628</p>	<p>630 (LF)</p>	<p>631 (LV)</p>
<p>"Kichler" Louver: Use with Horizontal mounted box 633</p>	<p>Blank, No Holes 641 (1B-NH)</p>	<p>.375 Dia. Hole Offset 650 (MT)</p>
	<p>660</p>	<p>Telephone Jack 661A</p>

OPENING SELECTOR GUIDE FOR CUSTOM PLATES



OPENING SELECTOR GUIDE FOR CUSTOM PLATES

