

# Product data sheet

Specifications

**SQUARE D**



Mini circuit breaker, QO, 150A, 2 pole, 120/240VAC, 10kA, plug in

QO2150

Product availability: Stock - Normally stocked in distribution facility

## Main

Product	Miniature circuit-breaker
Range	QO
Current Rating	150 A
Voltage Rating	120/240 V AC 120 V AC
Mounting Type	Plug-in
Number of Poles	2P
Circuit Breaker Type	Standard
Ratings	HACR rated
Electrical Connection	Box lugs

## Complementary

Interrupt Rating	10 kA 120/240 V AC 10 kA 120 V AC
Number of Panel Spaces	4
Wire Size	AWG 1...300 kcmil copper or aluminium
Tightening Torque	250.5 lbf.in (28.3 N.m)
Height	3.5 in (89 mm)
Width	1.5 in (38 mm)
Depth	2.9 in (74 mm)
Net Weight	2.630 lb(US) (1.193 kg)

## Environment

Certifications	UL Listed CSA
Ambient Rating	104 °F (40 °C)

## Ordering and shipping details

Category	US1DE2A00082
Discount Schedule	DE2A
GTIN	785901300021
Returnability	Yes
Country of origin	MX

Price is "List Price" and may be subject to a trade discount – check with your local distributor or retailer for actual price.

## Packing Units

Unit Type of Package 1	PCE
Nbr. of units in pkg.	1
Package 1 Height	4.80 in (12.192 cm)
Package 1 Width	6.90 in (17.526 cm)
Package 1 Length	7.90 in (20.066 cm)
Package weight(Lbs)	2.511 lb(US) (1.139 kg)

## Contractual warranty

Warranty	18 months
----------	-----------



## Environmental Data

Schneider Electric aims to achieve Net Zero status by 2050 through supply chain partnerships, lower impact materials, and circularity via our ongoing “Use Better, Use Longer, Use Again” campaign to extend product lifetimes and recyclability.

[Environmental Data explained >](#)

[How we assess product sustainability >](#)

Environmental footprint	
Carbon footprint (kg CO2 eq, Total Life cycle)	25
Environmental Disclosure	<a href="#">Product Environmental Profile</a>

### Use Better

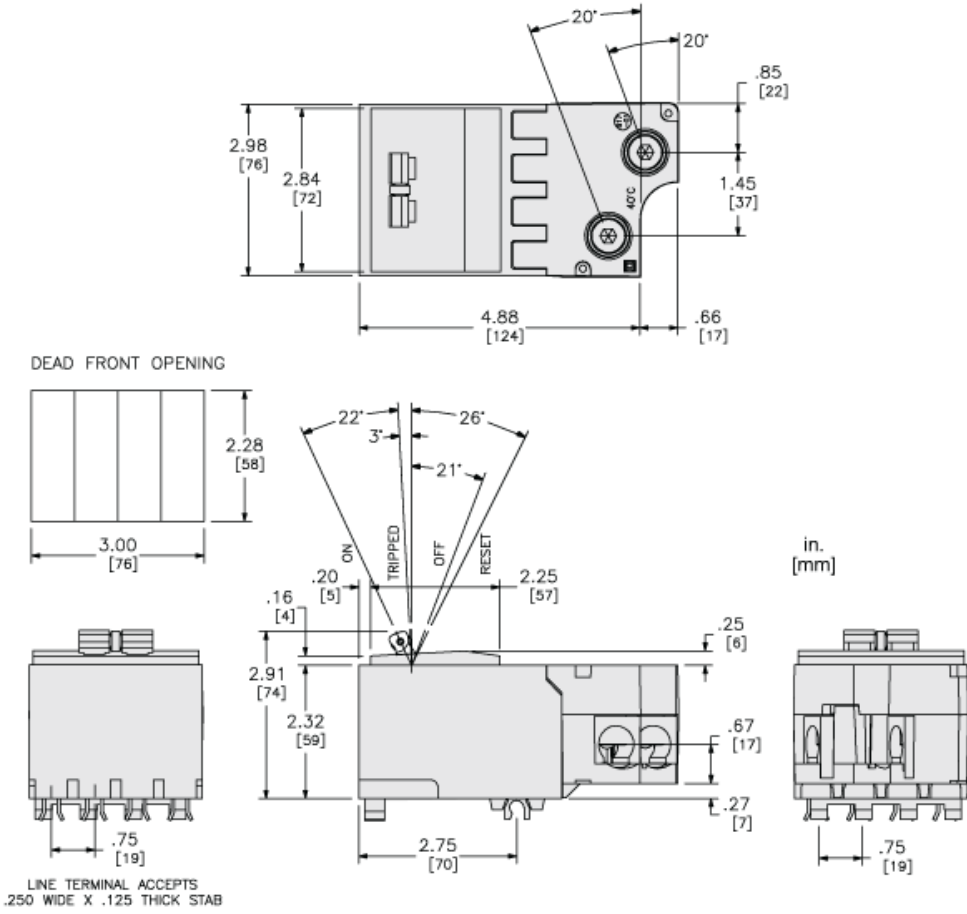
Materials and Substances	
Packaging made with recycled cardboard	No
Packaging without single use plastic	No
<a href="#">EU RoHS Directive</a>	Compliant
SCIP Number	Af42fb01-813d-40c0-ae28-b8b3299dbc99
REACH Regulation	<a href="#">REACH Declaration</a>
California proposition 65	<b>WARNING:</b> This product can expose you to chemicals including: Cadmium and cadmium compounds, which is known to the State of California to cause cancer and birth defects or other reproductive harm. For more information go to <a href="http://www.P65Warnings.ca.gov">www.P65Warnings.ca.gov</a>
Halogen content performance	Halogen free product

### Use Again

Repack and remanufacture	
Circularity Profile	No need of specific recycling operations
Take-back	No

Dimensions Drawings

Approximate Dimensions



Technical Illustration

Dimensions

---

