

Product data sheet

Specifications

SQUARE D



Transformer, dry type, DOE 2016, 45kVA, 3 phase, 480V delta primary, 208Y/120V secondary, 19M, 150C rise, Cu

EXN45T3HCU

Product availability: Stock - Normally stocked in distribution facility

Main

Range of Product	Square D
Product or Component Type	Transformer
Device short name	DOE 2016
Transformer type	Energy efficient
Device Application	Low voltage electrical distribution

Complementary

Box number	19M
Phase	3 phase
Rated operational power in VA	45 kVA
Network Frequency	60 Hz
type of cooling	Natural convection
Primary Voltage	480 V delta
Number of tap-offs	2 2.5 % FCAN 4 2.5 % FCBN
Primary operational current	18.04 A 41.64 A 15 kVA
Secondary voltage	208Y/120 V
Coil Material	Copper
Basic IMP level (BIL)	10 kV
Temperature Rise	150 °C 220 °C insulated
DOE Efficiency	98.51 % at 35 % load factor , 167 °F (75.0 °C)
Sound Level	6 dB NEMA ST-20 39 dB
%IZ	3.44 %
%IX	1.68 %
X/R Ratio	0.59
Inrush current	709 A
Let Through Current	4.03 kA
Transformer Losses	99 no load (core loss) 1384 load loss (coil loss)

Price is "List Price" and may be subject to a trade discount – check with your local distributor or retailer for actual price.

Transformer BTU/HR	469 16.6 % 633 25 % 1518 50 % 2994 75 % 5060 100 %
Height	29.3 in (745 mm)
Depth	25.9 in (659 mm)
Width	25.5 in (648 mm)
Net Weight	398.99 lb(US) (180.98 kg)
Mounting support	Floor Floor, with 7400FMB Ceiling, with 7400CMB18M19M20M Wall, with 7400WMB18M19M20M
Degree of protection	UL type 2 UL type 3R, with 7400WS18M19M20M
Electrical connection	2 Hole Nema Pad secondary 0.4 in (11.1 mm) 4 Hole Nema Pad sec - XO 0.4 in (11.1 mm) 2 Hole Nema Pad primary 0.4 in (11.1 mm)
Number of mounting holes	4 Ø: 0.5 in (13 mm)

Environment

Ambient Air Temperature for Operation	104 °F (40 °C)
Average ambient air temperature for operation	30 °C
Standards	UL 1561 CSA C22.2 No 47 NEMA ST-20

Ordering and shipping details

Category	US1PE2X16256
Discount Schedule	PE2X
GTIN	785901413233
Returnability	Yes
Country of origin	MX

Packing Units

Unit Type of Package 1	PCE
Nbr. of units in pkg.	1
Package 1 Height	35.40 in (89.916 cm)
Package 1 Width	32.00 in (81.28 cm)
Package 1 Length	31.00 in (78.74 cm)
Package weight(Lbs)	423.001 lb(US) (191.87 kg)

Environmental Data

Schneider Electric aims to achieve Net Zero status by 2050 through supply chain partnerships, lower impact materials, and circularity via our ongoing “Use Better, Use Longer, Use Again” campaign to extend product lifetimes and recyclability.

[Environmental Data explained >](#)

[How we assess product sustainability >](#)

Environmental footprint

Carbon footprint (kg CO2 eq, Total Life cycle) 15774

Environmental Disclosure [Product Environmental Profile](#)

Use Better

Materials and Substances

Packaging made with recycled cardboard Yes

Packaging without single use plastic Yes

[EU RoHS Directive](#) Compliant

REACH Regulation [REACH Declaration](#)

California proposition 65 **WARNING:** This product can expose you to chemicals including: Phenyl Glycidyl Ether, which is known to the State of California to cause cancer and birth defects or other reproductive harm. For more information go to www.P65Warnings.ca.gov

PVC free Yes

Use Again

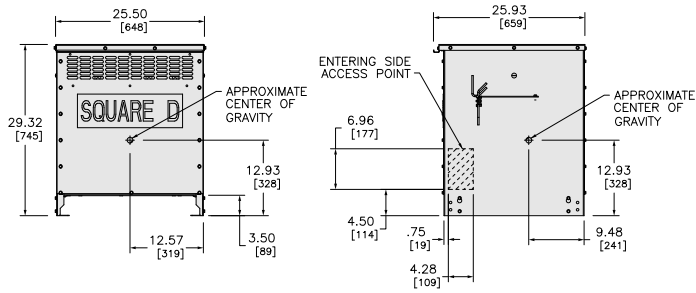
Repack and remanufacture

Circularity Profile No need of specific recycling operations

Take-back No

Technical Illustration

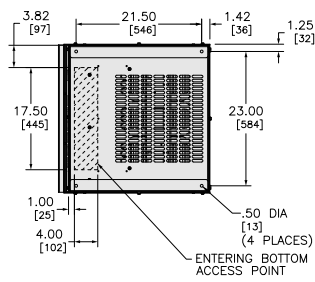
Dimensions



EXN45T3HCU

in.
[mm]

ALL DIMENSIONS ARE APPROXIMATE.
REFER TO TECHNICAL DRAWINGS AND
DOCUMENTATION FOR COMPLETE INFORMATION.



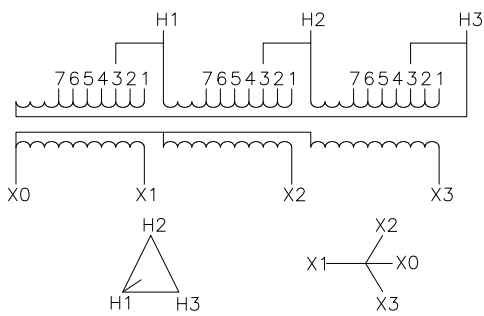
Technical Illustration

Wiring diagram

IN EACH PHASE CONNECT TO TAPS	
PRIMARY VOLTS	2-2.5% FCAN 4-2.5% FCBN
504	1
492	2
480	3
468	4
456	5
444	6
432	7

NOTE: ACTUAL VOLTAGES &
NAMEPLATE VALUES MAY NOT
MATCH VOLTAGE IN TABLE

EXN45T3HCU



REFER TO TECHNICAL DRAWINGS AND DOCUMENTATION FOR
COMPLETE INFORMATION.