

Product data sheet

Specifications

SQUARE D



Mini circuit breaker, QO, 60A, 2 pole, 120/240VAC, 10kA, plug in, 30mA grd fault B [TAA]

QO260EPD

Product availability: Stock - Normally stocked in distribution facility

Main

Product	Miniature circuit-breaker
Range	QO
Current Rating	60 A
Voltage Rating	120/240 V AC 120 V AC
Mounting Type	Plug-in
Number of Poles	2P
Circuit Breaker Type	Ground fault protecting class B 30 mA
Ratings	Not rated
Electrical Connection	Box lugs

Complementary

Interrupt Rating	10 kA 120/240 V AC 10 kA 120 V AC
Number of Panel Spaces	2
Wire Size	AWG 12...AWG 4 aluminium AWG 14...AWG 6 copper
Tightening Torque	44.3 lbf.in (5 N.m) 40.7 lbf.in (4.6 N.m) 0.006...0.03 in ² (4...20 mm ²) (AWG 12...AWG 4)
Height	4.1 in (105 mm)
Width	1.5 in (38 mm)
Depth	2.9 in (74 mm)
Net Weight	0.990 lb(US) (0.449 kg)

Environment

Certifications	UL Listed CSA
Ambient Rating	104 °F (40 °C)

Ordering and shipping details

Category	US1DE2A00910
Discount Schedule	DE2A
GTIN	785901940807
Returnability	Yes

Price is "List Price" and may be subject to a trade discount – check with your local distributor or retailer for actual price.

Country of origin	MX
-------------------	----

Packing Units

Unit Type of Package 1	PCE
------------------------	-----

Nbr. of units in pkg.	1
-----------------------	---

Package 1 Height	3.50 in (8.890 cm)
------------------	--------------------

Package 1 Width	2.10 in (5.334 cm)
-----------------	--------------------

Package 1 Length	5.30 in (13.462 cm)
------------------	---------------------

Package weight(Lbs)	16.000 oz (453.592 g)
---------------------	-----------------------

Compliance

Compliance	TAA
------------	-----

Contractual warranty

Warranty	18 months
----------	-----------

Environmental Data

Schneider Electric aims to achieve Net Zero status by 2050 through supply chain partnerships, lower impact materials, and circularity via our ongoing “Use Better, Use Longer, Use Again” campaign to extend product lifetimes and recyclability.

[Environmental Data explained >](#)

[How we assess product sustainability >](#)

Environmental footprint

[Environmental Disclosure](#)

[Product Environmental Profile](#)

Use Better

Materials and Substances

Packaging made with recycled cardboard

No

Packaging without single use plastic

Yes

[EU RoHS Directive](#)

Compliant with Exemptions

REACH Regulation

[REACH Declaration](#)

California proposition 65

WARNING: Cancer and Reproductive Harm - www.P65Warnings.ca.gov

Use Again

Repack and remanufacture

[Circularity Profile](#)

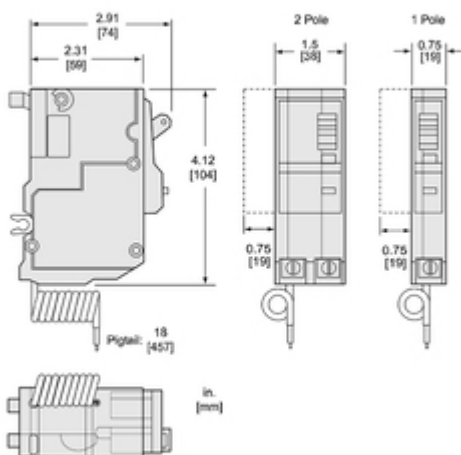
[End of Life Information](#)

Take-back

No

Technical Illustration

Dimensions



Technical Illustration

Wiring diagram

Typical Two-Pole GFCI Wiring

