

Product data sheet

Specifications

SQUARE D



Load center, QO, 1 phase, 6 spaces, 12 circuits, 100A fixed main lugs, NEMA1, door surface cover, Cu bus

QO612L100DSCU

Product availability: Stock - Normally stocked in distribution facility

Main

Marketing Trade Name	QO
Product Type	Load Center
Cover Type	Surface cover with door

Complementary

Tightening Torque	Main lugs 50 lb.in, AWG 8, aluminium/copper Main lugs 50 lb.in, AWG 6...AWG 1/0, aluminium/copper
PoN Convertible Mains (lugs)	Fixed Mains (lugs)
Rated Current	100 A
Number of Spaces	6
Max Short Circuit Current Rating	10 kA
Maximum Number of Single Pole Circuits	12
Maximum Number of Tandem Breakers	6
Number of Phases	1 phase 3 wires
Voltage Rating	120/240 V AC
Wire Size	AWG 8...AWG 1 aluminium/copper
Ground Bar	Grounding bar (ordered separately)
Electrical Connection	Lugs
Busbar Material	Tin plated copper: busbar
Enclosure Material	Welded sheet steel
Surface Finish	Baked enamel Gray
Box Number	4
Height	12.6 in (319 mm)
Width	8.9 in (226 mm)

Environment

Enclosure Rating	NEMA 1 indoor enclosure
Ambient Air Temperature for Operation	23 °F (-5 °C) 104 °F (40 °C)
Product Certifications	UL Listed

Price is "List Price" and may be subject to a trade discount – check with your local distributor or retailer for actual price.

Ordering and shipping details

Category	US1DE3A00101
Discount Schedule	DE3A
GTIN	785901626374
Returnability	Yes
Country of origin	MX

Packing Units

Unit Type of Package 1	PCE
Nbr. of units in pkg.	1
Package 1 Height	4.29 in (10.9 cm)
Package 1 Width	10.71 in (27.2 cm)
Package 1 Length	14.49 in (36.8 cm)
Package weight(Lbs)	8.42 lb(US) (3.82 kg)

Contractual warranty

Warranty	18 months
----------	-----------


Environmental Data

Schneider Electric aims to achieve Net Zero status by 2050 through supply chain partnerships, lower impact materials, and circularity via our ongoing “Use Better, Use Longer, Use Again” campaign to extend product lifetimes and recyclability.


[Environmental Data explained >](#)

[How we assess product sustainability >](#)

Use Better

 Materials and Substances	
Packaging made with recycled cardboard	No
Packaging without single use plastic	Yes
EU RoHS Directive	Under investigation
REACH Regulation	REACH Declaration
California proposition 65	WARNING: This product can expose you to chemicals including: Lead and lead compounds, which is known to the State of California to cause cancer and birth defects or other reproductive harm. For more information go to www.P65Warnings.ca.gov

Use Again

 Repack and remanufacture	
Circularity Profile	No need of specific recycling operations
Take-back	No

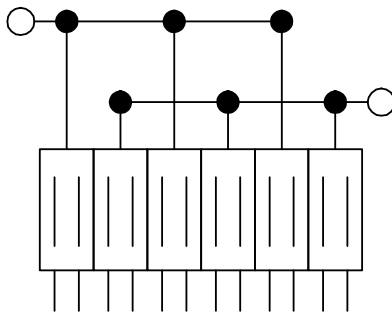
Technical Illustration

Dimensions

Technical Illustration

Wiring diagram

S/N



- QO612L100F
- QO612L100S
- QO612L100DF
- QO612L100DS
- QO612L100DFCU
- QO612L100DSCU