

# Product data sheet

Specifications

SQUARE D



Safety switch, VisiPacT, heavy duty, fused, viewing window, NEMA 1, 600V, 200A, 3 pole, neutral installed

VH364N

Product availability: Stock - Normally stocked in distribution facility

## Main

Product	Single Throw Safety Switch
Duty Rating	Heavy duty
Device Application	Heavy application
Disconnect Type	Fusible disconnect
Factory Installed Neutral	Neutral (factory installed)
Number of Poles	3
Current Rating	200 A
Voltage Rating	600 V AC/DC
Enclosure Rating	NEMA 1 steel
Motor power hp	50 hp at 480 V AC 50-60 Hz for 3 phase motors 125 hp at 480 V AC 50-60 Hz for 3 phase motors 60 hp at 600 V AC 50-60 Hz for 3 phase motors 150 hp at 600 V AC 50-60 Hz for 3 phase motors 40 hp at 250 V DC 50 hp at 600 V DC

## Complementary

Short-circuit current	10 kA for H, K, J or R without fuse rejection clips 200 kA for R with fuse rejection clips 200 kA for J
Fuse type	H or K R or J
Mounting Type	Surface
Electrical Connection	Lugs
Wiring configuration	4-wire (3PH + N)
Wire Size	AWG 6...250 kcmil copper or aluminium
Tightening torque	275 lbf.in (31.07 N.m) 0.02...0.2 in <sup>2</sup> (13.3...127 mm <sup>2</sup> ) (AWG 6...250 kcmil)
Depth	8.6 in (218.4 mm)
Width	16.61 in (421.89 mm)
Height	28.93 in (734.82 mm)
Net Weight	55.49 lb(US) (25.17 kg)
Grounding Kit	Field installed kit available
Service Entrance	Suitable service entrance for USA Suitable service entrance for Mexico

Price is "List Price" and may be subject to a trade discount – check with your local distributor or retailer for actual price.

## Environment

<b>Certifications</b>	UL listed file E2875
<b>Standards</b>	UL98 CSA C22.2 No 4 NOM-003-SCFI-2000

## Ordering and shipping details

<b>Category</b>	US10DE100008
<b>Discount Schedule</b>	0DE1
<b>GTIN</b>	3606485894256
<b>Returnability</b>	Yes
<b>Country of origin</b>	US

## Packing Units

<b>Unit Type of Package 1</b>	PCE
<b>Nbr. of units in pkg.</b>	1
<b>Package 1 Height</b>	19.38 in (49.2125 cm)
<b>Package 1 Width</b>	8.31 in (21.1137 cm)
<b>Package 1 Length</b>	30.00 in (76.2 cm)
<b>Package weight(Lbs)</b>	54.5 lb(US) (24.7 kg)

## Environmental Data

Schneider Electric aims to achieve Net Zero status by 2050 through supply chain partnerships, lower impact materials, and circularity via our ongoing “Use Better, Use Longer, Use Again” campaign to extend product lifetimes and recyclability.

[Environmental Data explained >](#)

[How we assess product sustainability >](#)

### Environmental footprint

Carbon footprint (kg CO2 eq, Total Life cycle) 272

Environmental Disclosure [Product Environmental Profile](#)

## Use Better

### Materials and Substances

Packaging made with recycled cardboard Yes

Packaging without single use plastic Yes

[EU RoHS Directive](#) Compliant

REACH Regulation [REACH Declaration](#)

California proposition 65 **WARNING:** This product can expose you to chemicals including: Lead and lead compounds, which is known to the State of California to cause cancer and birth defects or other reproductive harm. For more information go to [www.P65Warnings.ca.gov](http://www.P65Warnings.ca.gov)

## Use Again

### Repack and remanufacture

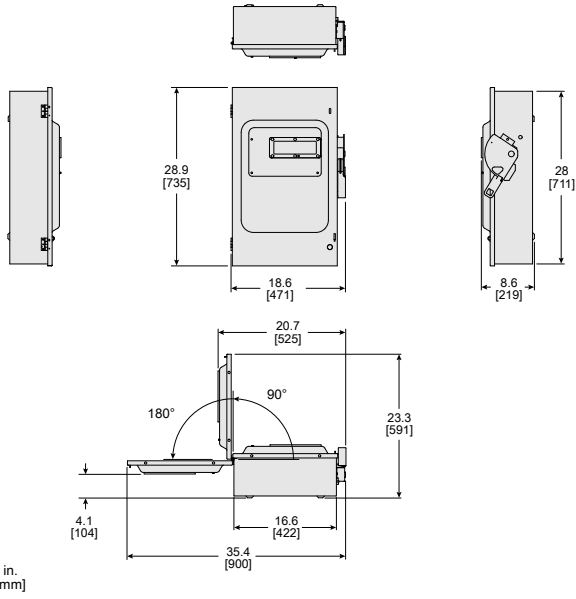
Circularity Profile No need of specific recycling operations

Take-back No

Technical Illustration

Dimensions

---



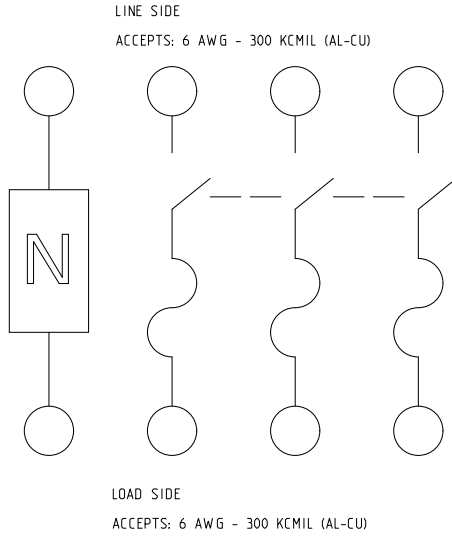
in.  
[mm]

ALL DIMENSIONS ARE APPROXIMATE.  
REFER TO TECHNICAL DRAWINGS AND DOCUMENTATION FOR COMPLETE INFORMATION.

Technical Illustration

Wiring diagram

---



CATALOG NO. VH364N  
REFER TO TECHNICAL DRAWINGS AND DOCUMENTATION FOR COMPLETE INFORMATION.