

# Product data sheet

Specifications

SQUARE D



## Safety switch, double throw, non fusible, 3 pole, 3 wire, 600VAC, 600VDC, 100A, Type 1

DTU363

**Product availability: Stock - Normally stocked in distribution facility**

### Main

Product	Double Throw Safety Switch
Duty Rating	Heavy duty
Disconnect Type	Non-fusible disconnect switch
Factory Installed Neutral	None
Number of Poles	3
Current Rating	100 A
Voltage Rating	600 V AC 600 V DC
Enclosure Rating	NEMA 1
Motor power hp	20 hp at 240 V AC 50-60 Hz for 1 phase motors 40 hp at 240 V AC 50-60 Hz for 3 phase motors 40 hp at 480 V AC 50-60 Hz for 1 phase motors 75 hp at 480 V AC 50-60 Hz for 3 phase motors 40 hp at 600 V AC 50-60 Hz for 1 phase motors 100 hp at 600 V AC 50-60 Hz for 3 phase motors 20 hp at 250 V DC 50 hp at 600 V DC

### Complementary

Short-circuit current	10 kA H or K 200 kA R, J or T
Fuse type	H or K R, J or T
Mounting Type	Surface
Wire Size	AWG 12...AWG 1/0 aluminium AWG 14...AWG 1/0 copper
Tightening torque	35 lbf.in (4.0 N.m) 0.003...0.008 in <sup>2</sup> (2.06...5.26 mm <sup>2</sup> ) (AWG 14...AWG 1/0) 40 lbf.in (4.5 N.m) 0.01 in <sup>2</sup> (8.37 mm <sup>2</sup> ) (AWG 8) 45 lbf.in (5.08 N.m) 0.02...0.08 in <sup>2</sup> (13.30...53.48 mm <sup>2</sup> ) (AWG 8) 50 lbf.in (5.6 N.m) 0.04...0.08 in <sup>2</sup> (26.67...53.48 mm <sup>2</sup> ) (AWG 6...AWG 4)
Depth	6.93 in (176.02 mm)
Width	11.96 in (303.78 mm)
Height	29.94 in (760.48 mm)
Net Weight	39.00 lb(US) (17.69 kg)

### Environment

Certifications	cULus
----------------	-------

### Ordering and shipping details

Price is "List Price" and may be subject to a trade discount – check with your local distributor or retailer for actual price.

<b>Category</b>	US10DE100033
<b>Discount Schedule</b>	0DE1
<b>GTIN</b>	785901308683
<b>Returnability</b>	Yes
<b>Country of origin</b>	US

## Packing Units

<b>Unit Type of Package 1</b>	PCE
<b>Nbr. of units in pkg.</b>	1
<b>Package 1 Height</b>	10.30 in (26.162 cm)
<b>Package 1 Width</b>	12.50 in (31.750 cm)
<b>Package 1 Length</b>	33.00 in (83.820 cm)
<b>Package weight(Lbs)</b>	36.290 lb(US) (16.461 kg)
<b>Unit Type of Package 2</b>	PAL
<b>Number of Units in Package 2</b>	16
<b>Package 2 Height</b>	40.00 in (101.600 cm)
<b>Package 2 Width</b>	40.00 in (101.600 cm)
<b>Package 2 Length</b>	48.00 in (121.920 cm)
<b>Package 2 Weight</b>	576.00002 lb(US) (261.269 kg)

## Contractual warranty

<b>Warranty</b>	18 months
-----------------	-----------



## Environmental Data

Schneider Electric aims to achieve Net Zero status by 2050 through supply chain partnerships, lower impact materials, and circularity via our ongoing “Use Better, Use Longer, Use Again” campaign to extend product lifetimes and recyclability.

[Environmental Data explained >](#)

[How we assess product sustainability >](#)

### Environmental footprint

Carbon footprint (kg CO2 eq, Total Life cycle) **296**

Environmental Disclosure [Product Environmental Profile](#)

## Use Better

### Materials and Substances

Packaging made with recycled cardboard **Yes**

Packaging without single use plastic **Yes**

[EU RoHS Directive](#) **Compliant**

REACH Regulation [REACH Declaration](#)

California proposition 65 **WARNING: This product can expose you to chemicals including: Lead and lead compounds, which is known to the State of California to cause cancer and birth defects or other reproductive harm. For more information go to [www.P65Warnings.ca.gov](http://www.P65Warnings.ca.gov)**

## Use Again

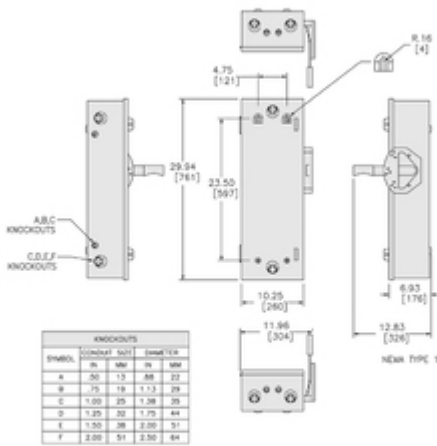
### Repack and remanufacture

Circularity Profile **No need of specific recycling operations**

Take-back **No**

Technical Illustration

Dimensions

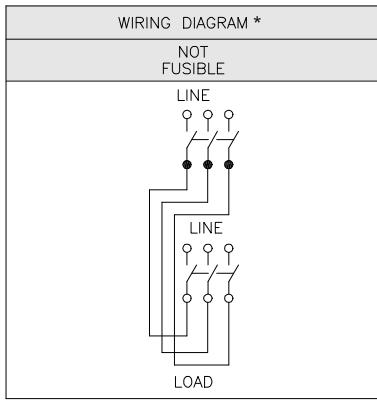


ALL DIMENSIONS ARE APPROXIMATE.  
REFER TO TECHNICAL DRAWINGS AND DOCUMENTATION FOR COMPLETE INFORMATION.

Technical Illustration

Wiring diagram

---



- DTU321 DTU362
- DTU361 DTU323
- DTU322 DTU363

\* FIELD CONVERTABLE TO FEED TWO ALTERNATE LOADS FROM A SINGLE SOURCE