



PSCRC123N25R15

For maximum performance
that moves with you

1000 SERIES

The 1000 Series Cable Reels for commercial and light industrial applications provide a reliable, versatile and economical way to provide remote power in environments such as warehouses, maintenance shops, and data centers. Easy to install.

- Black molded nylon construction with reinforced steel frame
- Rated for indoor use
- cULus Listed

Features

- Retracts cables up to 50 feet vertically (even with mobile end accessories attached)
- Can be quickly repositioned to bring cables to where they are needed
- 20 amp, 125 volt slip ring
- Six-foot feeder cord
- Adjustable ball stop
- Ceiling, wall, or bench mounting
- Rated for indoor use
- Reinforced steel frame
- Black molded nylon construction
- Robust, long-life spring
- In-line GFCI with manual reset on select units
- Pivot base accessory available
- Two-year warranty



Quad Receptacle Box



Single Outlet



Tri-Tap



Single Locking Outlet



Flying Lead



Straight Blade GCM

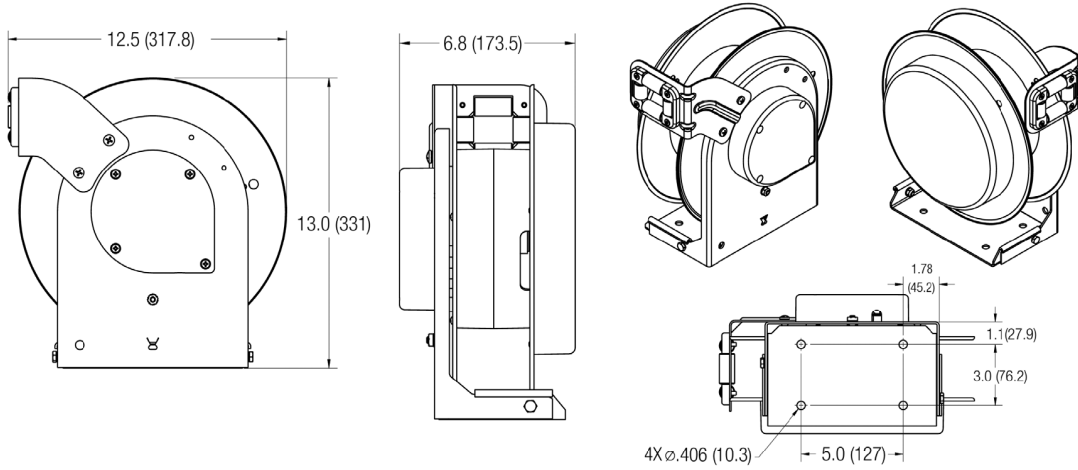


Quad Receptacle Box
with GFCI



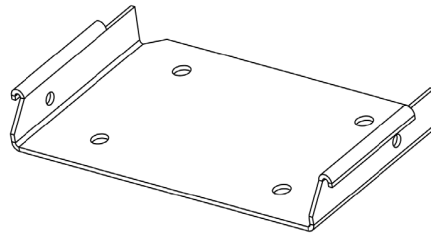
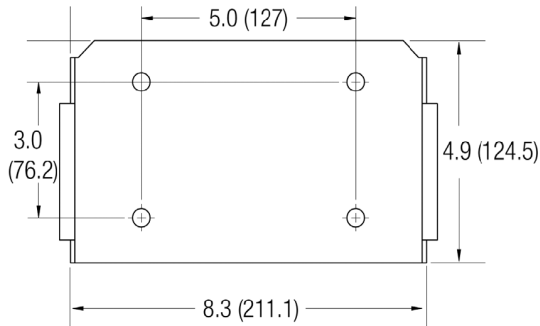
Tri-Tap & GFCI

Product Components



Base Plate Dimensions

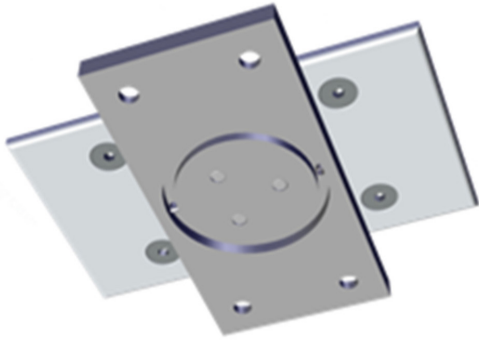
Weight: 30 lbs.



Base plate can be removed and installed prior to cable reel for faster and easier install.

Ordering Information

Catalog No./Item	Mobile End	GFCI	Length	Cable	Amperage
PSCRCD123N25F20	Flying Lead	No	25	12AWG 3C	20
PSCRCD123N35F20	Flying Lead	No	35	12AWG 3C	20
PSCRCD123N50F20	Flying Lead	No	50	12AWG 3C	20
PSCRCD123N50L15	Locking Single Outlet	No	50	12AWG 3C	15
PSCRCD123N50L20	Locking Single Outlet	No	50	12AWG 3C	20
PSCRCD123N35L15	Locking Single Outlet	No	35	12AWG 3C	15
PSCRCD123N35L20	Locking Single Outlet	No	35	12AWG 3C	20
PSCRCD123N25L15	Locking Single Outlet	No	25	12AWG 3C	15
PSCRCD123N25L20	Locking Single Outlet	No	25	12AWG 3C	20
PSCRCD123N25R15	Quad RB	No	25	12AWG 3C	15
PSCRCD123N35R15	Quad RB	No	35	12AWG 3C	15
PSCRCD123N50R15	Quad RB	No	50	12AWG 3C	15
PSCRCD123N25R20	Quad RB	No	25	12AWG 3C	20
PSCRCD123N35R20	Quad RB	No	35	12AWG 3C	20
PSCRCD123N50R20	Quad RB	No	50	12AWG 3C	20
PSCRCD123G25R15	Quad RB	Yes*	25	12AWG 3C	15
PSCRCD123G35R15	Quad RB	Yes*	35	12AWG 3C	15
PSCRCD123G50R15	Quad RB	Yes*	50	12AWG 3C	15
PSCRCD123G25R20	Quad RB	Yes*	25	12AWG 3C	20
PSCRCD123G35R20	Quad RB	Yes*	35	12AWG 3C	20
PSCRCD123G50R20	Quad RB	Yes*	50	12AWG 3C	20
PSCRCD123N50S15	Single Outlet	No	50	12AWG 3C	15
PSCRCD123N50S20	Single Outlet	No	50	12AWG 3C	20
PSCRCD123N35S15	Single Outlet	No	35	12AWG 3C	15
PSCRCD123N35S20	Single Outlet	No	35	12AWG 3C	20
PSCRCD123N25S15	Single Outlet	No	25	12AWG 3C	15
PSCRCD123N25S20	Single Outlet	No	25	12AWG 3C	20
PSCRCD123N25G20	Straight Blade GCM	No	25	12AWG 3C	20
PSCRCD123N35G20	Straight Blade GCM	No	35	12AWG 3C	20
PSCRCD123N50G20	Straight Blade GCM	No	50	12AWG 3C	20
PSCRCD123N25T15	Tri-Tap	No	25	12AWG 3C	15
PSCRCD123N35T15	Tri-Tap	No	35	12AWG 3C	15
PSCRCD123N50T15	Tri-Tap	No	50	12AWG 3C	15
PSCRCD123G25T15	Tri-Tap	Yes*	25	12AWG 3C	15
PSCRCD123G35T15	Tri-Tap	Yes*	35	12AWG 3C	15
PSCRCD123G50T15	Tri-Tap	Yes*	50	12AWG 3C	15



This stocked Pivot Base accessory for cable reels lets your roll rotate up to 345° for easier, cleaner cable payout, especially when feeding at angles greater than 15°. Lightweight at just 2.89 lbs., it mounts directly in the field for quick, hassle-free setup.

Catalog No.	Color	Cable Type
10PVB	Aluminum	Pivot Base 1000 Series Cable Reel

