

Project		Catalog #		Type	
Prepared by		Notes		Date	



# Metalux

## SWLED

Surface and Wall LED

### Typical Applications

Commercial • Industrial

### Interactive Menu

- Order Information [page 2](#)
- Photometric Data [page 3](#)
- Control Solutions [page 5](#)
- Product Warranty

### Product Certification



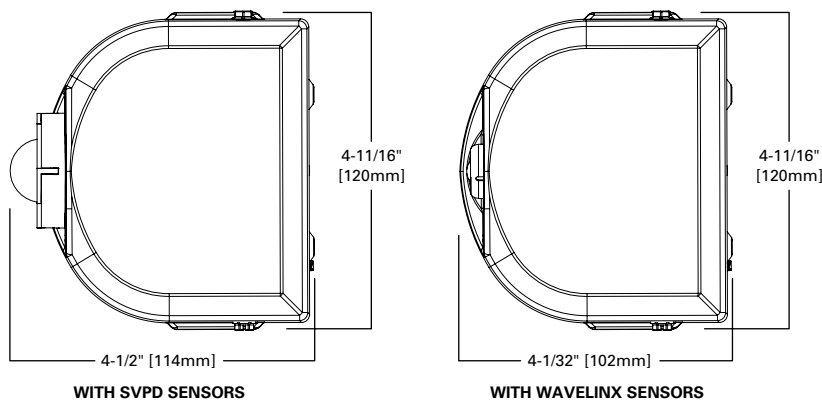
### Product Features



### Top Product Features

- Lumen packages up to 2000 lumens per foot for high mounting locations
- Excellent performance with lm/W, ranging up to 150 lm/W with LC lens
- 4ft. and 2ft. product configurations for mounting versatility
- Multiple sensor options for connected or control at multiple heights
- Standard 0-10V driver with optional DALI, 1% and step dimming options
- Options to meet Buy American and other domestic preference requirements

### Dimensional and Mounting Details



[additional product diagrams](#)

## Order Information

SAMPLE ORDER NUMBER: **4SWLED-40SL-LW-UNV-L840-CD1-SVPD2-U**

Domestic Preferences	Length	Series	Lumen Output	Optic	Voltage	Emergency Options
Domestic Preferences <sup>(1)</sup>	Length	Series <sup>(2)</sup>	Lumen Output	Optic	Voltage	Emergency Options <sup>(9), (10)</sup>
<b>[Blank]</b> =Standard <b>BAA</b> =Buy American Act <b>TAA</b> =Trade Agreements Act	2=2 ft. Length 4=4 ft. Length	<b>SWLED</b> =LED Surface and Wall	<b>LED Lumens</b> <sup>(9)</sup> <b>8SL</b> =900 <sup>(4)</sup> <b>44HL</b> =4400 <b>16SL</b> =1600 <b>52HL</b> =5200 <b>20SL</b> =2000 <b>56HL</b> =5600 <b>24HL</b> =2400 <b>60HL</b> =6000 <b>28HL</b> =2800 <b>64HL</b> =6400 <b>28SL</b> =2800 <sup>(5)</sup> <b>67HL</b> =6700 <b>32SL</b> =3200 <b>72HL</b> =7200 <b>36SL</b> =3600 <b>78HL</b> =7800 <b>40SL</b> =4000 <b>80HL</b> =8000	<b>LC</b> =Clear Lens <b>LN</b> =Semi-Frost Lens- Narrow <b>LW</b> = Full Frost Lens- Wide	<b>UNV</b> =Universal Voltage 120-277V <b>347V</b> =347 Volt <sup>(6)</sup> <b>UNC</b> =347V/480V <sup>(7)</sup>	<b>EL7W</b> =7-watt, 120V-277V emergency battery pack installed <sup>(9)</sup> <b>EL14W</b> =14-watt 120V-277V emergency battery pack installed <sup>(9)</sup> <b>GTR2</b> =Bodine Generator Transfer Relay <sup>(11)</sup> <b>ETRD</b> =Emergency Transfer Relay with dimming control <sup>(11)</sup>
<b>Notes</b> (1) Only product configurations with these designated prefixes are built to be compliant with the Buy American Act of 1933 (BAA) or Trade Agreements Act of 1979 (TAA), respectively. Please refer to <a href="#">DOMESTIC PREFERENCES</a> website for more information. Components shipped separately may be separately analyzed under domestic preference requirements.		<b>Notes</b> (2) DesignLights Consortium® Qualified and classified for both DLC Standard and DLC Premium, refer to <a href="#">www.designlights.org</a> for details.	<b>Notes</b> (3) Nominal lumen output see table for performance values. (4) 2 ft. model. (5) Integral options only available in 4ft model.		<b>Notes</b> (6) 347V option – 60HL and above uses two drivers. (7) 347V listing in DLC is for standard 347V ONLY driver. No DLC listing for UNC.	<b>Notes</b> (8) Integral options only available in 4ft model. (9) With integral test switch/ indicator/laser test. For approximate delivered lumens multiply the lumens per watt of the desired fixture by the wattage of the emergency battery pack (100 lm/W x 7=700 lumens). IES-format photometry for luminaire under emergency operation available. (10) Integral EL battery pack is rated for 35°C. (11) Used to bypass local control during outage. Must be used in conjunction with UL 1008 device (provided by others). GTR2 option includes 2 relays on fixtures with dimming drivers. ETRD option only requires one relay when used on a dimming fixture.

CCT	Driver Type	Number of Drivers	Integrated Sensing Systems	Packaging
CCT	Driver Type	Number of Drivers	Integrated Sensing Systems	Packaging
<b>L835</b> =3500K <b>L840</b> =4000K <b>L850</b> =5000K	<b>CD</b> =0-10V Dimming Driver <b>HCD</b> =0-10V Dimming Driver (1% - 100% Dimming) <b>SD</b> =Step-Dim Driver <b>SLTD</b> =Fifth Light (DALI) Driver <b>SR</b> =Sensor-ready (1%-100% Dimming) <sup>(12)</sup>	<b>1</b> =1 Driver <b>2</b> =2 Drivers <sup>(13)</sup>	<b>WAA</b> =WaveLinX Wireless Integrated Sensor <sup>(19), (20), (A)</sup> <b>WAB</b> =WaveLinX Lite Wireless Integrated Sensor <sup>(19), (B)</sup> <b>SVPD1</b> =0-10V Stand-alone, Integrated occupancy and daylight dimming sensor, 500 sq. ft. coverage <sup>(18), (21), (D)</sup> <b>SVPD2</b> = 0-10V Stand-alone, Integrated occupancy and daylight dimming sensor, 900 sq. ft. coverage <sup>(15), (16), (18), (21), (D)</sup> <b>SVPD3</b> = 0-10V Stand-alone, Integrated occupancy and daylight dimming sensor, 1200 sq. ft. coverage <sup>(14), (18), (21), (D)</sup>	<b>U</b> =Unit Pack
	<b>Notes</b> (12) SR driver compatible with LWI option only.	<b>Notes</b> (13) 347V option – 60HL and above uses two drivers.	<b>Notes</b> (14) For mounting heights up to 30 ft. (15) For mounting heights up to 12 ft. (16) For wall mount applications. (17) SR driver compatible with LWI option only. (18) Integral sensor works with CD and HCD driver and is factory prewired to the driver for stand-alone control. (19) SW compatible with CD and HCD drivers only. (20) SW option must be used in conjunction with a Cooper Lighting Solutions control system. For complete Cooper Lighting Solutions wireless system solutions, visit <a href="#">www.cooperlighting.com</a> . (21) If the space remains unoccupied for half of the timeout period, the lighting will automatically reduce to the Energy Saver light level. This adjustable light level is typically half of the occupied daylight level.  Integrated options must be used in conjunction with the associated system and may not be compatible with other options or accessories. Please refer to the following: (A) Consult WaveLinX system pages for additional details and compatibility. (B) WaveLinX Lite devices are not currently compatible with the WaveLinX Wireless Area Controller. Consult WaveLinX Lite system pages for additional details and compatibility. (D) Consult SVPD series system pages for additional details and compatibility.	

### Accessories

Accessories (order separately) <sup>(22)</sup>
<b>SCF</b> =Fixed Stem Set (Specify Length) <b>SCS</b> =Swivel Stem Set (Specify Length) <b>SCA</b> =Adjustable 48" Stem Set <b>A1B/Spacer-U</b> =Spacer 1-1/2" to 2-1/2" from ceiling (Use 2 Per Fixture) <b>ISHH-01</b> =Programming Remote for Integrated Sensor <sup>(D)</sup> <b>ISHH-02</b> =Personal Control Remote for Integrated Sensor <sup>(D)</sup>
<b>Notes</b> (22) Accessories sold separately will be separately analyzed under domestic preference requirements. Consult factory for further information.  Integrated options must be used in conjunction with the associated system and may not be compatible with other options or accessories. Please refer to the following: (D) Consult SVPD series system pages for additional details and compatibility.

## Product Specifications

### Construction

- Die formed cold rolled steel housing
- Decorative white opaque injection molded end plates
- Reflector/channel wireway cover secured by fasteners for easy access
- Numerous channel KO's for easy installation

### Controls

- 0-10V dimming drivers to 1% standard
- WaveLinX wireless sensor compatible for standalone, controlled, connected, and IoT capability
- SVPD sensor compatible for out-of-the-box functionality
- DALI 2.0, Lutron, and step-dimming available

### Electrical

- Long-life LED system with electrical driver for optimal performance
- Available in 3500K, 4000K, or 5000K with minimum 80 CRI
- TM21 rating up to L91 > 60,000hours

### Emergency Battery Pack Option

- Optional 120V-277V integral battery pack in 7w or 14w options
- 90 minute backup period
- Test switch/indicator button with laser pointer testing feature for ground testing
- EZ Key system prevents accidental discharge during construction
- Emergency/Generator transfer options available

### Finish

- High reflective post painted finish (PAF)
- Treated in multistage iron phosphate pretreatment

### Shielding

- Three lens options available: LC (clear), LN (semi-frost with narrow distribution), and LW (full frost with wide distribution)
- Lens is held in place by removable injection molded white end caps

### Installation

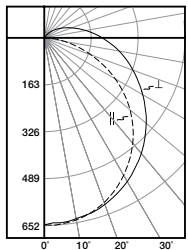
- Surface mount
- Suspended mount

### Compliance

- cULus listed for up to 40C ambient environments
- Damp location listed for ceiling and wall mounting
- Comply with IESNA LM-79 and LM-80 testing standards
- Suitable for use in clothes closets
- Recommended for use in stairwells when installed to NEC 410.16 spacing requirements
- Can be used for State of California Title 24 high efficacy luminaire
- DesignLights Consortium Qualified and classified for both DLC Standard and DLC Premium

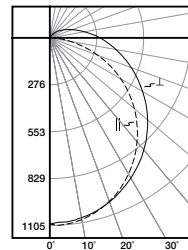
## Photometric Data

 [View IES files](#)



### 2SWLED-24HL-LW-UNV-L840-CD1-U

Electronic Driver  
 Linear LED 4000K  
 Spacing criterion: (II) 1.25 x mounting height,  
 (⊥) 1.32 x mounting height  
 Lumens: 2475  
 Input Watts: 24W  
 Efficacy: 103.1 lm/W  
 Test Report: 2SWLED-24HL-LW-UNV-L840-CD1-U-IES



### 4SWLED-40SL-LW-UNV-L840-CD1-U

Electronic Driver  
 Linear LED 4000K  
 Spacing criterion: (II) 1.25 x mounting height,  
 (⊥) 1.29 x mounting height  
 Lumens: 4015  
 Input Watts: 37.9W  
 Efficacy: 105.9 lm/W  
 Test Report: 4SWLED-40SL-LW-UNV-L840-CD1-U-IES

## Energy and Performance Data

Lens Type	Lumen Type	Length	Catalog Number	Nominal Lumens	Wattage	lm/W with LW Lens	Approx. lm/W with LC/LN Lens
Full Frost (LW)	Standard	2 ft.	2SWLED-8SL-LW-UNV-L840-CD1-U	914	9.0	102	120
Full Frost (LW)	Standard	2 ft.	2SWLED-16SL-LW-UNV-L840-CD1-U	1597	15.9	100	118
Full Frost (LW)	Standard	2 ft.	2SWLED-20SL-LW-UNV-L840-CD1-U	1987	20.6	96	115
Full Frost (LW)	High	2 ft.	2SWLED-24HL-LW-UNV-L840-CD1-U	2475	24	103	133
Full Frost (LW)	High	2 ft.	2SWLED-28HL-LW-UNV-L840-CD1-U	2813	27.9	101	130
Full Frost (LW)	Standard	4 ft.	4SWLED-16SL-LW-UNV-L840-CD1-U	1626	14.3	114	148
Full Frost (LW)	Standard	4 ft.	4SWLED-16SL-LW-UNV-L840-CD1-U	1983	17.6	113	146
Full Frost (LW)	Standard	4 ft.	4SWLED-28SL-LW-UNV-L840-CD1-U	2841	24.8	115	148
Full Frost (LW)	Standard	4 ft.	4SWLED-32SL-LW-UNV-L840-CD1-U	3217	28.6	112	145
Full Frost (LW)	Standard	4 ft.	4SWLED-36SL-LW-UNV-L840-CD1-U	3573	32.8	109	141
Full Frost (LW)	Standard	4 ft.	4SWLED-40SL-LW-UNV-L840-CD1-U	4015	37.9	106	137
Full Frost (LW)	Standard	4 ft.	4SWLED-44HL-LW-UNV-L840-CD1-U	4436	39.7	106	145
Full Frost (LW)	High	4 ft.	4SWLED-48HL-LW-UNV-L840-CD1-U	4899	44.6	110	143
Full Frost (LW)	High	4 ft.	4SWLED-52HL-LW-UNV-L840-CD1-U	5175	47.7	108	140
Full Frost (LW)	High	4 ft.	4SWLED-56HL-LW-UNV-L840-CD1-U	5623	52.9	106	137
Full Frost (LW)	High	4 ft.	4SWLED-60HL-LW-UNV-L840-CD1-U	5977	53.7	111	144
Full Frost (LW)	High	4 ft.	4SWLED-64HL-LW-UNV-L840-CD1-U	6369	58.2	109	141
Full Frost (LW)	High	4 ft.	4SWLED-67HL-LW-UNV-L840-CD1-U	6708	61.9	108	140
Full Frost (LW)	High	4 ft.	4SWLED-72HL-LW-UNV-L840-CD1-U	7201	67.7	106	137
Full Frost (LW)	High	4 ft.	4SWLED-78HL-LW-UNV-L840-CD1-U	7832	75.4	104	135
Full Frost (LW)	High	4 ft.	4SWLED-80HL-LW-UNV-L840-CD1-U	8060	78.4	103	133

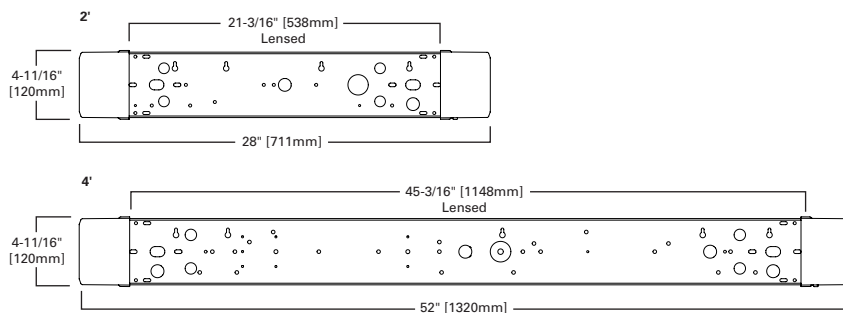
### CCT Table

Approximate Color Temperature Multiplier	
5000K	1.03
4000K	1.00
3500K	0.98

### Shipping Data

Catalog No.	Wt.
2SWLED	6 lbs.
4SWLED	12 lbs.

## Dimensional and Mounting Details



## Control Systems

- WaveLinx Wireless
- WaveLinx Wired
- WaveLinx Lite
- DLVP
- VividTune



**Connected Systems**  
[CLICK HERE](#)

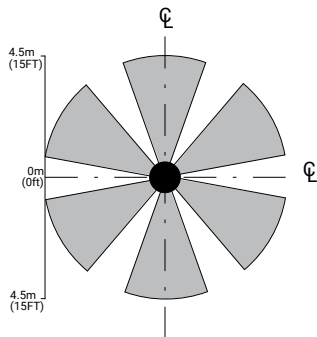
The SWLED with Integrated Sensor technology provides automatic energy savings without sacrificing performance. The SWLED delivers superior lighting with integrated occupancy and daylighting controls.

For standalone and controlled applications, the WaveLinx Lite integral sensor provides out-of-the-box functionality with no gateways required and factory startup is not needed.

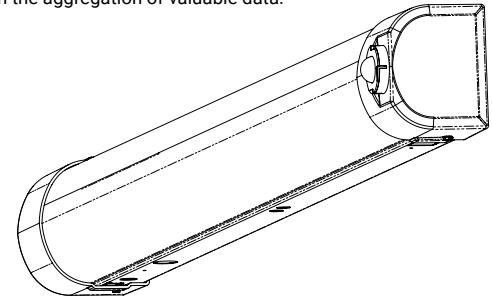
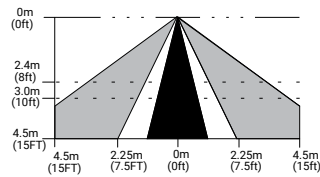
When more connectivity is required, the WaveLinx Wireless sensor meets modern code and utility requirements, delivers energy and cost savings, while enabling buildings to become smart buildings.

The WaveLinx Wireless Connected Lighting System combined with Trellix provides an open IoT platform and infrastructure that connects intelligent sensors leveraging the real-estate of the physical light fixture to solve higher complexity problems to deliver actionable insights through the aggregation of valuable data.

TOP VIEW:



SIDE VIEW:



**Note:** Installation of integrated sensors within 3-ft (1m) of HVAC air vents is not recommended. The pattern shown is intended solely as a general guide and is not to scale.

## Systems comparison chart

Cooper Lighting Solutions provides many lighting system solutions designed to satisfy code requirements and meet the unique needs of any project.



**Standalone**



**Controlled**  
WaveLinx Lite



**Connected**  
WaveLinx Pro



**Enterprise**  
Trellix

<b>Occupancy</b>	Yes	Yes	Yes	Yes
<b>Daylighting</b>	Yes	Yes	Yes	Yes
<b>Wallstations</b>	-	Yes	Yes	Yes
<b>Gateways</b>	-	-	1 WAC	300 WACs
<b>Devices (MAX)</b>	-	50 per Area (1400 per site)	200 per WAC2	32,500 per Core Enterprise
<b>Software</b>	-	WaveLinx Lite Mobile App	WaveLinx Pro Mobile App	Trellix Core
<b>Areas</b>	-	28 per Site	50 per WAC2	up to 3,000
<b>Zones</b>	-	16 per Area	16 per Area	up to 9,000
<b>Scheduling</b>	-	-	Local	Global
<b>VividTune™</b>	-	-	Yes	Yes
<b>Plug-Load Control</b>	-	-	Yes	Yes
<b>Low-Voltage Power</b>	-	-	Yes	Yes
<b>Integration</b>	-	-	-	BACnet, API
<b>Dashboards</b>	-	-	-	Energy, Occupancy
<b>Configuration</b>	-	Installer	Technician	Technician / IT

## SCALABILITY

devices

areas

floors

buildings