

# Product data sheet

Specifications

SQUARE D



All in one, Homeline, combination service entrance, ringless socket, 200A, surface, 30 spaces, 42 circuits, 22kA SCCR, OH, UG, no bypass, PON

RC3042M200PS

Product availability: Stock - Normally stocked in distribution facility

## Main

Product or Component Type	All-In-One
Range of Product	Homeline
Meter socket type	Ringless
Hub type	A

## Complementary

Line Rated Current	200 A
Short-circuit current	22 kA
Mounting	Surface
Number of spaces	30
Number of circuits	42
Number of Tandem Breakers	12
Electrical connection	Lugs, line side Lugs, service ground
Wire Size	AWG 6...350 kcmil (aluminium/copper) line side AWG 12...AWG 2/0 (aluminium/copper) service ground
Tightening torque	Main lugs 250 lb.in, AWG 6...350 kcmil, aluminium/copper Service ground 50 lb.in, AWG 3...AWG 2/0, aluminium/copper Service ground 45 lb.in, AWG 6...AWG 4, aluminium/copper Service ground 40 lb.in, AWG 8, aluminium/copper Branch lugs 35 lb.in, AWG 6...AWG 4, aluminium/copper Branch lugs 25 lb.in, AWG 8, aluminium/copper Branch lugs 20 lb.in, AWG 14...AWG 10, aluminium/copper Branch lugs 20 lb.in, AWG 12...AWG 10, aluminium/copper Cover 10 lb.in
Disconnect	Service disconnect (factory installed)
Disconnect Rating	200 A
Branch Breaker Rating	200 A
Service feed location	OH UG
Bypass type	No bypass
Connections - Terminals	Plug-on neutral
Width	18.76 in (476.50 mm)
Depth	5.41 in (137.41 mm)

Price is "List Price" and may be subject to a trade discount – check with your local distributor or retailer for actual price.

<b>Height</b>	45.47 in (1154.94 mm)
<b>Bus Rating</b>	200.0 A

## Environment

<b>NEMA Rating</b>	NEMA 3R
--------------------	---------

## Ordering and shipping details

<b>Category</b>	US1DE3A00148
<b>Discount Schedule</b>	DE3A
<b>GTIN</b>	785901009733
<b>Returnability</b>	Yes
<b>Country of origin</b>	MX

## Packing Units

<b>Unit Type of Package 1</b>	PCE
<b>Nbr. of units in pkg.</b>	1
<b>Package 1 Height</b>	7.00 in (17.780 cm)
<b>Package 1 Width</b>	19.50 in (49.530 cm)
<b>Package 1 Length</b>	50.00 in (127.000 cm)
<b>Package weight(Lbs)</b>	69.549 lb(US) (31.547 kg)
<b>Unit Type of Package 2</b>	PAL
<b>Number of Units in Package 2</b>	10
<b>Package 2 Height</b>	32.00 in (81.280 cm)
<b>Package 2 Width</b>	40.00 in (101.600 cm)
<b>Package 2 Length</b>	48.00 in (121.920 cm)
<b>Package 2 Weight</b>	573.000 lb(US) (259.908 kg)



## Environmental Data

Schneider Electric aims to achieve Net Zero status by 2050 through supply chain partnerships, lower impact materials, and circularity via our ongoing “Use Better, Use Longer, Use Again” campaign to extend product lifetimes and recyclability.

[Environmental Data explained >](#)

[How we assess product sustainability >](#)

Environmental footprint	
Carbon footprint (kg CO2 eq, Total Life cycle)	451
Environmental Disclosure	<a href="#">Product Environmental Profile</a>

### Use Better

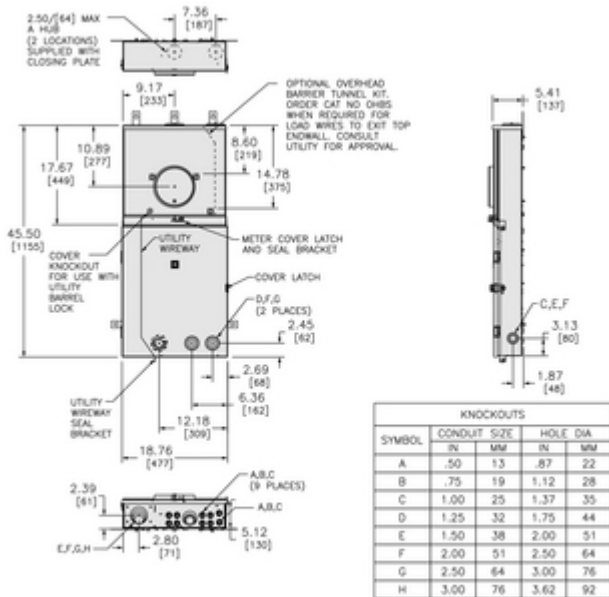
Materials and Substances	
Packaging made with recycled cardboard	No
Packaging without single use plastic	No
<a href="#">EU RoHS Directive</a>	Compliant with Exemptions
REACH Regulation	<a href="#">REACH Declaration</a>
California proposition 65	<b>WARNING:</b> This product can expose you to chemicals including: Lead and lead compounds, which is known to the State of California to cause cancer and birth defects or other reproductive harm. For more information go to <a href="http://www.P65Warnings.ca.gov">www.P65Warnings.ca.gov</a>

### Use Again

Repack and remanufacture	
Circularity Profile	No need of specific recycling operations
Take-back	No

Technical Illustration

Dimensions

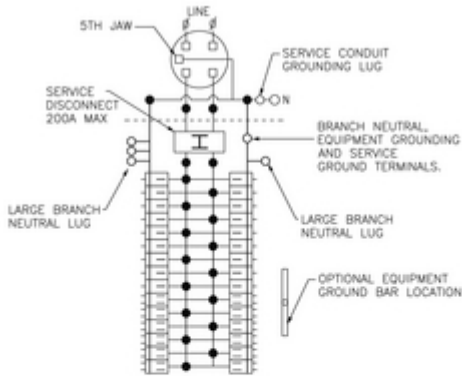


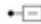

ALL DIMENSIONS ARE APPROXIMATE.  
REFER TO TECHNICAL DRAWINGS AND DOCUMENTATION FOR COMPLETE INFORMATION.

in.  
[mm]

Technical Illustration

Wiring diagram



- 
 ONE SINGLE POLE, ONE PLUG-ON SPACE TYPE HOM OR HOMP ONLY.  
 TWO POLE TYPE HOM OR HOMA (15-125A) MAY PLUG ON TWO ADJACENT SPACES.  
 TWO POLE TYPE HOMA (150-200A) MAY PLUG ON FOUR ADJACENT SPACES.  
 TOTAL CIRCUIT BREAKER HANDLE RATING NOT TO EXCEED 160A PER BRANCH CIRCUIT CONNECTOR.
- 
 TWO SINGLE POLE, ONE PLUG-ON SPACE TYPE HOMT,  
 ONE SINGLE POLE TYPE HOM OR HOMP.  
 TWO POLE TYPE HOMA (15-125A) MAY PLUG ON TWO ADJACENT SPACES.  
 TWO POLE TYPE HOMA (150-200A) MAY PLUG ON FOUR ADJACENT SPACES.  
 TOTAL CIRCUIT BREAKER HANDLE RATING NOT TO EXCEED 160A PER BRANCH CIRCUIT CONNECTOR.  
 A SQUARE D UL LISTED SECONDARY SURGE ARRESTER MAY PLUG ON TWO ADJACENT SPACES. ORDER CATALOG NO. HOM21755B

CATALOG NO.  
REFER TO TECHNICAL DRAWINGS AND DOCUMENTATION FOR COMPLETE INFORMATION.