

XB5PUSB3

Panel mounted USB port, Harmony XB5, 3.0 port, plastic, 22mm, for USB interface jack type A



Main

Range of Product	Harmony XB5
Product or Component Type	Panel mounted USB port
Device short name	XB5P

Complementary

Sale per indivisible quantity	1
Mounting diameter	0.9 in (22 mm)
Thickness	0.2 in (6 mm) without protection cover 0.06...0.2 in (1.5...5 mm) with protection cover plastic 0.06...0.2 in (1.5...5 mm) with protection cover rigid plastic 0.06...0.10 in (1.5...2.5 mm) with protection cover metal
Bezel material	Plastic
Fixing collar material	Plastic
Integrated connection type	USB 3.0 type A
Minimum number of matings	1500 cycles
IP degree of protection	IP20 front: conforming to IEC 60529 IP20 back: conforming to IEC 60529
Ambient Air Temperature for Operation	-40...158 °F (-40...70 °C)
Ambient Air Temperature for Storage	-40...158 °F (-40...70 °C)
Tightening torque	13.3 lbf.in (1.5 N.m)
Vibration resistance	5.35 gn15 min per axis
Shock resistance	30 gn 11 ms 3 chocks in each direction X, Y and Z
Standards	USB 3.0
Product Certifications	CSA[RETURN]UL Listed
Height	1.1 in (28 mm)
Width	1.1 in (28 mm)
Depth	1.7 in (44 mm)
Net Weight	0.0373 lb(US) (0.0169 kg)

Ordering and shipping details

Category	US10CS200028
Discount Schedule	OCS2
GTIN	3606481194206
Returnability	Yes
Country of origin	DE

Packing Units

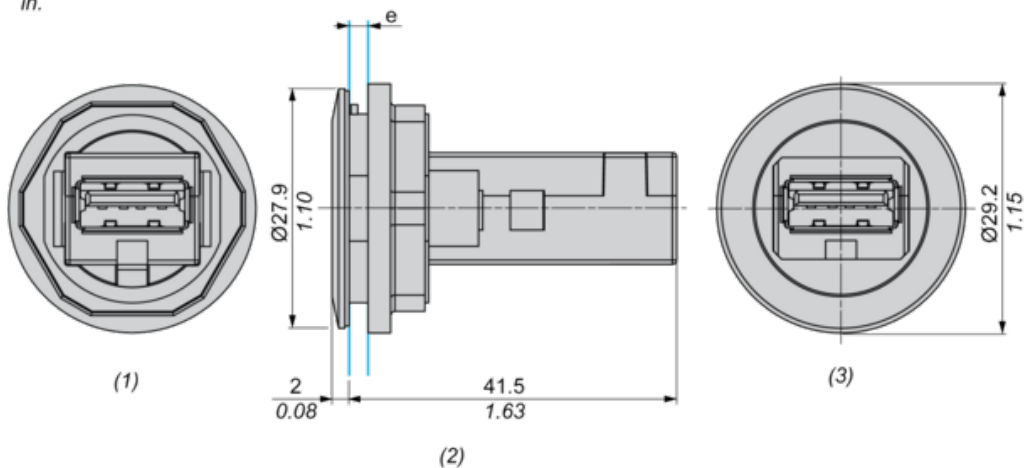
Unit Type of Package 1	PCE
Number of Units in Package 1	1
Package 1 Height	1.260 in (3.200 cm)
Package 1 Width	1.969 in (5.000 cm)
Package 1 Length	3.386 in (8.600 cm)
Package 1 Weight	0.529 oz (15.000 g)
Unit Type of Package 2	S02
Number of Units in Package 2	100
Package 2 Height	5.906 in (15.000 cm)
Package 2 Width	11.811 in (30.000 cm)
Package 2 Length	15.748 in (40.000 cm)
Package 2 Weight	4.057 lb(US) (1.840 kg)

Offer Sustainability

California proposition 65	WARNING: This product can expose you to chemicals including: Lead and lead compounds, which is known to the State of California to cause cancer and birth defects or other reproductive harm. For more information go to www.P65Warnings.ca.gov
REACH Regulation	REACH Declaration
REACH free of SVHC	Yes
EU RoHS Directive	Pro-active compliance (Product out of EU RoHS legal scope) EU RoHS Declaration
Toxic heavy metal free	Yes
Mercury free	Yes
China RoHS Regulation	China RoHS Declaration
RoHS exemption information	Yes
WEEE	The product must be disposed on European Union markets following specific waste collection and never end up in rubbish bins.

Dimensions

mm
in.



(1) Rear view

(2) Side view

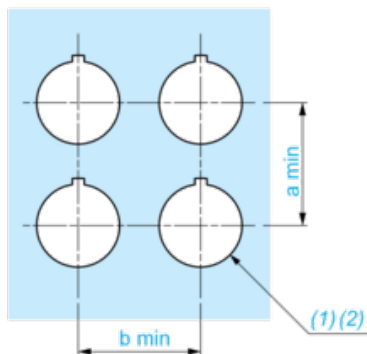
(3) Front view

(e)

	<p>Clamping thickness without accessory: 1.5 mm to 5 mm / 0.05 in to 0.19 in</p> <p>Clamping thickness with ZBSP1 & ZBSP2: 1.5 mm to 5 mm / 0.05 in to 0.19 in</p> <p>Clamping thickness with ZBSP3: 1.5 mm to 2.5 mm / 0.05 in to 0.10 in</p>
--	--

Panel Cut-out for Panel Mounted USB Port

Connection by Screw Clamp Terminals or Plug-in Connectors

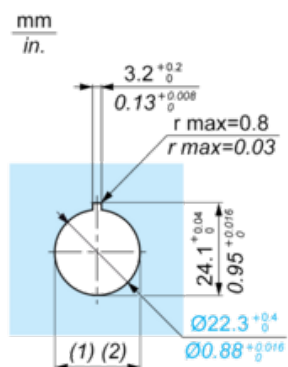


(1) Diameter on finished panel or support

(2) Ø22.5 mm recommended (Ø22.3 0+0.4) / Ø0.89 in. recommended (Ø0.88 in. 0+0.016)

Connections	a in mm	a in in.	b in mm	b in in.
By screw clamp terminal or plug-in connector	35	1.38	35	1.38

Panel Cut-out



(1) Diameter on finished panel or support

(2) Ø22.5 mm recommended (Ø22.3 0+0.4) / Ø0.89 in. recommended (Ø0.88 in. 0+0.016)