

# Product data sheet

Specifications



## EcoStruxure Panel Server - universal wireless, concentrator modbus gateway 110-277 VAC/DC

PAS600

### Main

Range	EcoStruxure
Product name	Panel Server Universal
Product or component type	Gateway
Device short name	PAS600
Device application	Gateway
[Us] rated supply voltage	110...277 V AC 50/60 Hz 110...277 V DC
Communication gateway	Ethernet TCP/IP to wireless devices Ethernet/serial

### Complementary

Product compatibility	Wireless access point
Maximum power consumption in W	HW V2: 3.5 W 110...277 V HW V1: 3 W 110...277 V
Maximum power consumption in VA	HW V2: 12 VA at 110...277 V HW V1: 10 VA at 110...277 V
Communication network type	HW V2: Wi-Fi infrastructure 5 GHz HW V2: Wi-Fi infrastructure 2.4 GHz HW V1: Wi-Fi infrastructure 10/100BASE-T2.4 GHz Ethernet 10/100BASE-T2.4 GHz Wi-Fi access point IEEE 802.15.4 2.4 GHz Wireless IEEE 802.15.4 even/odd or none parity 1.2...115.2 kbit/s Modbus RTU Modbus RTU client even/odd or none parity 1.2...115.2 kbit/s
Communication port protocol	Modbus TCP DHCP HTTPS NTP/SNTP IPv4 IPv6 TCP/IP
Communication port support	2 RJ45: ETHERNET Screw terminal block: RS485
Number of server device(s)	32 Modbus RTU product(s) 128 Modbus TCP/IP product(s) 40 wireless (IEEE 802.15.4) product(s) - mixed 85 wireless (IEEE 802.15.4) product(s) - depending on configuration
Number of devices	64 Modbus TCP/IP
Memory capacity	HW V2: 32 GB eMMC HW V1: 512 MB NAND
Number of inputs	0
Connections - terminals	Power supply: screw terminal block (top) 1.5...2.5 mm <sup>2</sup> cable(s) Communication: screw terminal block (bottom) 0.14...1.5 mm <sup>2</sup> cable(s)

<b>Tightening torque</b>	Power supply: 0.6 N.m Communication: 0.25 N.m
<b>Wire stripping length</b>	Power supply: 7 mm Communication: 7 mm
<b>Number of connectors</b>	HW V2: 2 screw connector for Wi-Fi and IEEE 802.15.4 HW V1: 1 screw connector for Wi-Fi
<b>Connector type</b>	HW V2: connector(s)1 x RP-SMA Wi-Fi for antenna bottom HW V2: connector(s)1 x RP-SMA IEEE 802.15.4 for antenna top HW V1: connector(s)1 x RP-SMA Wi-Fi for antenna bottom
<b>Mounting mode</b>	Clip-on
<b>Mounting support</b>	DIN rail
<b>Product certifications</b>	CE cULus CB RCM UKCA FCC IC DNV Marine ANSI RF IACS E10
<b>Standards</b>	IEC 61010 IEC 61010-1 IEC 61010-2-201 UL 61010 UL 61010-1 UL 61010-2-201 EN 61010-1 EN 61010-2-201 CAN/CSA C22.2 No. 61010-1-12 CAN/CSA C22.2 No. 61010-2-201 IEC 62974-1 IEC 61326-1 EN 61326-1 ETSI EN 301 489-1 ETSI EN 301 489-17 EN 301-893 EN 55032 CISPR 11 ETSI EN 300 328 IEEE 802.15.4 IEEE 802.11a/b/g/n IEEE 802.3 af/at FCC CFR 47 part 15 class A EN 62311 IEC 62311 ANSI C63.10 IEC 60945 EN 62974-1 DNVGL-GC-0339
<b>Depth</b>	70.2 mm
<b>Height</b>	93 mm
<b>Width</b>	72 mm
<b>Net weight</b>	201 g
<b>Data recording</b>	Real time data monitoring
<b>Data buffer for data publication (cloud, SFTP, HTTPS) depending on network</b>	1 month(s)
<b>Function available</b>	Embedded web page for configuration and upgrade Diagnosis capabilities Diagnostic report Diagnostics on communication Energy management With integrated web server Firmware update Backup/restore configuration Configurable event

<b>Product specific application</b>	Wireless Schneider Electric devices ecosystem
<b>Topology</b>	Separated Ethernet network Switched Ethernet network
<b>Web services</b>	HTTPS server SFTP publication (CSV / JSON) HTTPS publication (CSV / JSON)
<b>Communication service</b>	Device Profile for Web Services (DPWS) Modbus TCP client Modbus TCP server SNTP client DHCP client RSTP
<b>Commissioning interface</b>	EcoStruxure Power Commission desktop EcoStruxure Power Commission Mobile (through Wi-Fi Access point) EcoStruxure Power Commission web (for third party device integration) Web page
<b>Realtime clock</b>	With RTC-battery set With user calibration
<b>Time synchronisation protocol</b>	NTP SNTP
<b>Range compatibility</b>	EcoStruxure Facility Expert EcoStruxure Building Operation EcoStruxure Power Operation EcoStruxure Power Monitoring Expert EcoStruxure Asset Advisor EcoStruxure Energy Hub EcoStruxure Resource Advisor Third party SCADA
<b>Communication interface</b>	Modbus and wireless (IEEE802.15.4) product

## Environment

<b>Relative humidity</b>	5...95 %
<b>IP degree of protection</b>	IP40 (front face) IP20 (casing)
<b>Ambient air temperature for operation</b>	-25...70 °C
<b>Ambient air temperature for storage</b>	-40...85 °C
<b>Pollution degree</b>	2
<b>Operating altitude</b>	< 2000 m

## Packing Units

<b>Unit Type of Package 1</b>	PCE
<b>Number of Units in Package 1</b>	1
<b>Package 1 Height</b>	9.000 cm
<b>Package 1 Width</b>	9.000 cm
<b>Package 1 Length</b>	11.000 cm
<b>Package 1 Weight</b>	283.000 g
<b>Unit Type of Package 2</b>	S03
<b>Number of Units in Package 2</b>	27
<b>Package 2 Height</b>	30.000 cm
<b>Package 2 Width</b>	30.000 cm
<b>Package 2 Length</b>	40.000 cm

<b>Package 2 Weight</b>	8.280 kg
<b>Unit Type of Package 3</b>	P06
<b>Number of Units in Package 3</b>	216
<b>Package 3 Height</b>	75.000 cm
<b>Package 3 Width</b>	60.000 cm
<b>Package 3 Length</b>	80.000 cm
<b>Package 3 Weight</b>	74.200 kg



## Environmental Data

Schneider Electric aims to achieve Net Zero status by 2050 through supply chain partnerships, lower impact materials, and circularity via our ongoing “Use Better, Use Longer, Use Again” campaign to extend product lifetimes and recyclability.

[Environmental Data explained >](#)

[How we assess product sustainability >](#)

### Environmental footprint

Total lifecycle Carbon footprint 47

Environmental Disclosure [Product Environmental Profile](#)

## Use Better

### Materials and Substances

Packaging made with recycled cardboard Yes

Packaging without single use plastic Yes

[EU RoHS Directive](#) Compliant with Exemptions

SCIP Number 8fd200e0-fc2c-4c52-ba68-62f2aced16fe

REACH Regulation [REACH Declaration](#)

California proposition 65 **WARNING: This product can expose you to chemicals including: Lead and lead compounds, which is known to the State of California to cause cancer and birth defects or other reproductive harm. For more information go to [www.P65Warnings.ca.gov](http://www.P65Warnings.ca.gov)**

Halogen-free status Halogen free plastic parts & cables product

PVC free Yes

## Use Again

### Repack and remanufacture

End of life manual availability [End of Life Information](#)

Removable battery No

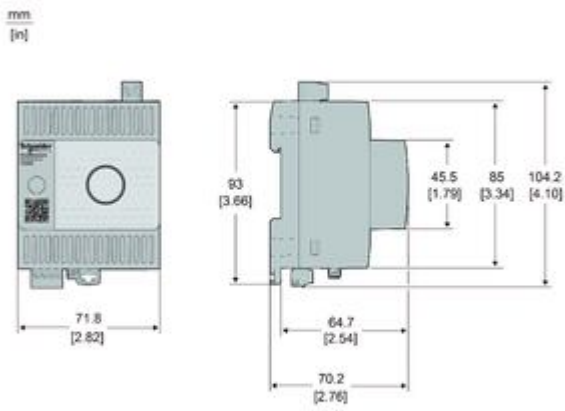
Take-back No

WEEE Label  The product must be disposed on European Union markets following specific waste collection and never end up in rubbish bins

Technical Illustration

Dimensions

---



Technical illustration

Product Installation

---

