

Product data sheet

Specifications

SQUARE D



Safety switch, heavy duty, non fusible, 400A, 3 wire, 3 pole, 350hp, 600VAC/DC, NEMA 1

HU365

Product availability: Stock - Normally stocked in distribution facility

Main

Product	Single Throw Safety Switch
Duty Rating	Heavy duty
Device Application	Heavy application
Disconnect Type	Non-fusible disconnect
Factory Installed Neutral	None
Number of Poles	3
Current Rating	400 A
Voltage Rating	600 V AC/DC
Enclosure Rating	NEMA 1 steel
Motor power hp	125 hp at 240 V AC 50-60 Hz for 3 phase motors 250 hp at 480 V AC 50-60 Hz for 3 phase motors 350 hp at 600 V AC 50-60 Hz for 3 phase motors 50 hp at 250 V DC 50 hp at 600 V DC

Complementary

Mounting Type	Surface
Electrical Connection	Lugs
Wiring configuration	3-wire
Wire Size	AWG 1/0...750 kcmil copper or aluminium
Tightening torque	550 lbf.in (62.1 N.m) (AWG 1/0...750 kcmil)
Depth	10.13 in (257.30 mm)
Width	27.63 in (701.80 mm)
Height	50.25 in (1276.35 mm)
Net Weight	170.0 lb(US) (77.1 kg)

Environment

Certifications	UL listed file E2875
----------------	----------------------

Ordering and shipping details

Category	US10DE100053
Discount Schedule	0DE1
GTIN	785901787303
Returnability	Yes

Price is "List Price" and may be subject to a trade discount – check with your local distributor or retailer for actual price.

Packing Units

Unit Type of Package 1	PCE
Nbr. of units in pkg.	1
Package 1 Height	14.30 in (36.322 cm)
Package 1 Width	28.30 in (71.882 cm)
Package 1 Length	52.00 in (132.080 cm)
Package weight(Lbs)	170.0008 lb(US) (77.111 kg)
Unit Type of Package 2	PAL
Number of Units in Package 2	2
Package 2 Height	32.50 in (82.550 cm)
Package 2 Width	40.00 in (101.600 cm)
Package 2 Length	56.00 in (142.240 cm)
Package 2 Weight	339.999 lb(US) (154.221 kg)

Contractual warranty

Warranty	18 months
----------	-----------



Environmental Data

Schneider Electric aims to achieve Net Zero status by 2050 through supply chain partnerships, lower impact materials, and circularity via our ongoing “Use Better, Use Longer, Use Again” campaign to extend product lifetimes and recyclability.

[Environmental Data explained >](#)

[How we assess product sustainability >](#)

Environmental footprint

Carbon footprint (kg CO2 eq, Total Life cycle) **1323**

Environmental Disclosure [Product Environmental Profile](#)

Use Better

Materials and Substances

Packaging made with recycled cardboard **Yes**

Packaging without single use plastic **No**

[EU RoHS Directive](#) **Compliant with Exemptions**

REACH Regulation [REACH Declaration](#)

California proposition 65 **WARNING: This product can expose you to chemicals including: Lead and lead compounds, which is known to the State of California to cause cancer and birth defects or other reproductive harm. For more information go to www.P65Warnings.ca.gov**

Halogen content performance **Halogen free plastic parts product**

PVC free **Yes**

Use Again

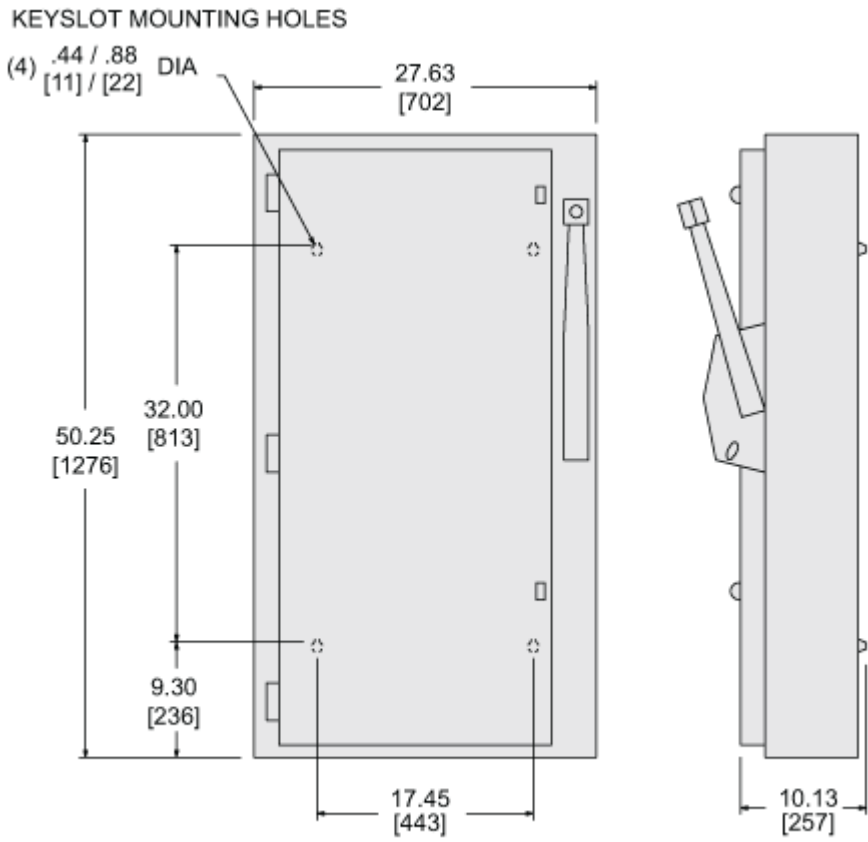
Repack and remanufacture

Circularity Profile **No need of specific recycling operations**

Take-back **No**

Dimensions Drawings

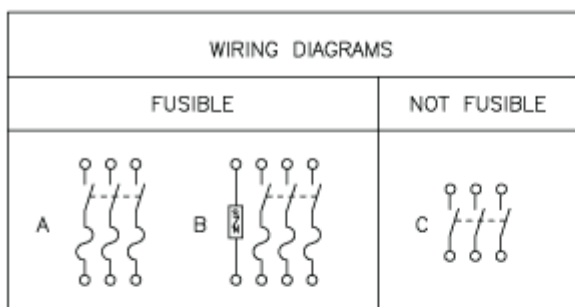
Approximate Dimensions



NEMA TYPE 1 NO KNOCKOUTS

Connections and Schema

Wiring Diagrams



NOTE: FOR SWITCHING DC USE TWO OUTSIDE POLES.

TERMINAL LUGS DATA			
AMPERES	MAX WIRE	MIN WIRE	TYPE
400	(1) 750 KCMIL OR (2) 300 KCMIL	(1) #1/0 AWG OR (2) #1/0 AWG	AL OR CU

CATALOG NUMBER	MAX VOLTAGE RATINGS	WIRING DIAG	HORSEPOWER RATINGS						
			240VAC		480VAC		600VAC		
			MAX	STD	MAX	STD	MAX	STD	
H365	600VAC;600VDC	A	-	100	250	125	350	50	50
H365N	600VAC;600VDC	B	-	100	250	125	350	50	50
HU365	600VAC;600VDC	C	125	-	250	-	350	50	50