



Round LED Step Lights Equivalent to 13 Watt CFL or 40 Watt incandescent. Applications for steps, decks, landscape and entries. Meets ADA requirements. 5-year, no-compromise warranty.

Color: Bronze

Weight: 1.4 lbs

Project:	Type:
Prepared By:	Date:

Driver Info		LED Info	
Type	Constant Current	Watts	5W
120V	0.1A	Color Temp	5000K (Cool)
208V	0.06A	Color Accuracy	68 CRI
240V	0.05A	L70 Lifespan	100,000 Hours
277V	0.049A	Lumens	213 lm
Input Watts	5.2W	Efficacy	41 lm/W

Technical Specifications

Compliance

UL Listed:

Suitable for wet locations. Suitable for mounting within 4ft. of the ground.

IESNA LM-79 & LM-80 Testing:

RAB LED luminaires and LED components have been tested by an independent laboratory in accordance with IESNA LM-79 and LM-80.

Performance

Lifespan:

100,000-Hour LED lifespan based on IES LM-80 results and TM-21 calculations

Wattage Equivalency:

Equivalent to 13W CFL or 60W Incandescent

Electrical

Driver:

4W high output long life LED. Driver Constant Current, Class 2, 50-60 Hz, 100-240 VAC 0.18 amps.

Voltage:

120-277V

Surge Protection:

1000 Volts

Construction

Finish:

Formulated for high durability and long-lasting color

Cold Weather Starting:

The minimum starting temperature is -40°C (-40°F)

Maximum Ambient Temperature:

Suitable for use in up to 40°C (104°F)

Green Technology:

Mercury and UV free. RoHS-compliant components.

Housing:

Precision die-cast aluminum housing and mounting plate (junction box not included)

Gaskets:

High-temperature silicone

LED Characteristics

Color Consistency:

7-step MacAdam Ellipse binning to achieve consistent fixture-to-fixture color

Lumen Maintenance:

The LED will deliver 70% of its initial lumens at 100,000 hours of operation

Color Temperature:

5000K

Other

Patents:

The design of the SLED Lights are protected by U.S. Pat. D612,974, CA Pat. 133100, and China Pat. ZL201030129138.4.

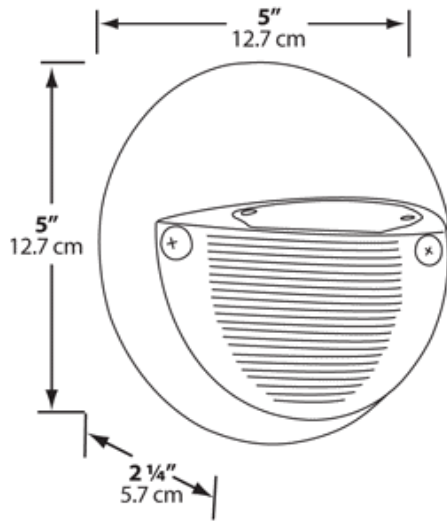
Warranty:

RAB warrants that our LED products will be free from defects in materials and workmanship for a period of five (5) years from the date of delivery to the end user, including coverage of light output, color stability, driver performance and fixture finish. RAB's warranty is subject to all terms and conditions found at rablighting.com/warranty.

Buy American Act Compliance:

RAB values USA manufacturing! Upon request, RAB may be able to manufacture this product to be compliant with the Buy American Act (BAA). Please contact customer service to request a quote for the product to be made BAA compliant.

Dimensions



Features

- 5 Watt, High output LED
- 100,000-hour life
- Superior heat sinking with die cast aluminum housing
- Meets ADA Requirements
- Junction Box Not Included