

Product data sheet

Specifications

SQUARE D



Branch unit, EZ Meter-Pak, 225A, 4 x 4 jaw sockets, 120/240VAC, no bypass, ringed, 800A Al busbar

EZM114225

Product availability: Stock - Normally stocked in distribution facility

Main

Product	Meter Center Branch Unit
Current Rating	225 A
Type	Meter-Pak
Bus Rating	800 A
Number of Jaws	4 without jaw release
Number of Meter Sockets	4
Bypass Type	No bypass
Socket Type	Ringed

Complementary

Certifications	UL Listed
Busbar Material	Aluminium: busbar
Enclosure Material	Steel
Enclosure Rating	NEMA 3R
Maximum Voltage Rating	120/240 V AC
Mounting	Surface
Phase	1 phase in 1 phase out
Wire Configuration	3-wire
Height	52.00 in (1320.80 mm)
Width	17.38 in (441.45 mm)
Depth	8.09 in (205.49 mm)

Ordering and shipping details

Category	US10DE400020
Discount Schedule	0DE4
GTIN	785901299615
Returnability	Yes
Country of origin	MX

Packing Units

Unit Type of Package 1	PCE
------------------------	-----

Price is "List Price" and may be subject to a trade discount – check with your local distributor or retailer for actual price.

Nbr. of units in pkg.	1
Package 1 Height	9.800 in (24.892 cm)
Package 1 Width	19.700 in (50.038 cm)
Package 1 Length	52.800 in (134.112 cm)
Package weight(Lbs)	91.0003 lb(US) (41.277 kg)
Unit Type of Package 2	PAL
Number of Units in Package 2	8
Package 2 Height	40.000 in (101.600 cm)
Package 2 Width	42.000 in (106.680 cm)
Package 2 Length	60.000 in (152.400 cm)
Package 2 Weight	728.00005 lb(US) (330.215 kg)

Contractual warranty

Warranty	18 months
-----------------	-----------



Environmental Data

Schneider Electric aims to achieve Net Zero status by 2050 through supply chain partnerships, lower impact materials, and circularity via our ongoing “Use Better, Use Longer, Use Again” campaign to extend product lifetimes and recyclability.

[Environmental Data explained >](#)

[How we assess product sustainability >](#)

Environmental footprint

Carbon footprint (kg CO2 eq, Total Life cycle)	687
--	-----

Environmental Disclosure	Product Environmental Profile
--------------------------	---

Use Better

Materials and Substances

Packaging made with recycled cardboard	No
--	----

Packaging without single use plastic	No
--------------------------------------	----

EU RoHS Directive	Compliant with Exemptions
-----------------------------------	---------------------------

REACH Regulation	REACH Declaration
------------------	-----------------------------------

California proposition 65	WARNING: This product can expose you to chemicals including: Lead and lead compounds, which is known to the State of California to cause cancer and birth defects or other reproductive harm. For more information go to www.P65Warnings.ca.gov
---------------------------	--

Use Again

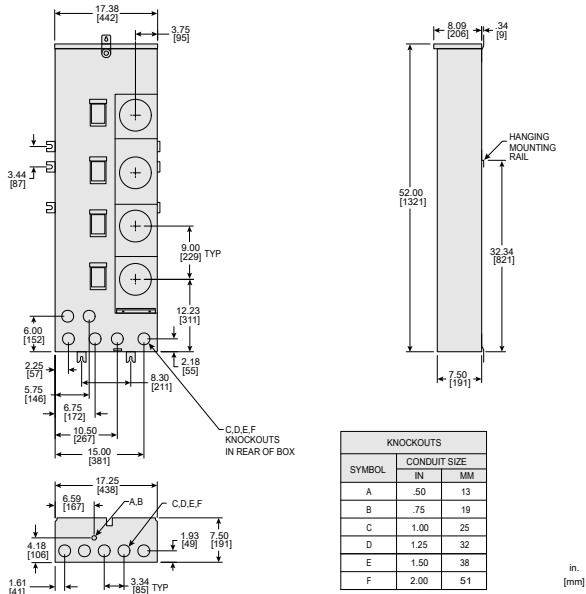
Repack and remanufacture

Circularity Profile	No need of specific recycling operations
---------------------	--

Take-back	No
-----------	----

Technical Illustration

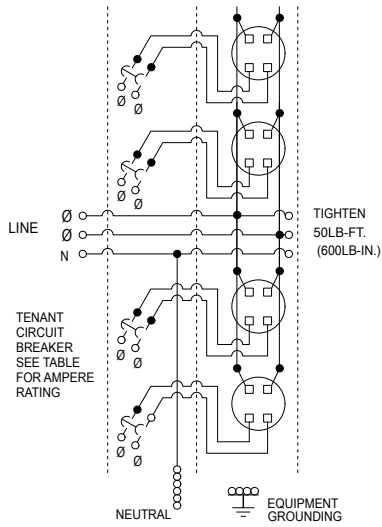
Dimensions



ALL DIMENSIONS ARE APPROXIMATE.
REFER TO TECHNICAL DRAWINGS AND DOCUMENTATION FOR COMPLETE INFORMATION.

Technical Illustration

Wiring diagram



EZM114225
EZMR114225
EZMH114225

REFER TO TECHNICAL DRAWINGS AND DOCUMENTATION FOR COMPLETE INFORMATION.