

SYSPEND 281-MAX SUSPENSION SYSTEM, TYPE 12



INDUSTRY STANDARDS

Maintains NEMA Type 12 and IEC IP65 enclosure rating when properly installed per nVent HOFFMAN instructions.

APPLICATION

Variability in system configuration, advanced design and ease of assembly are key requirements when specifying an enclosure suspension system. The Syspend 281-Max features a modern industrial design, excellent ergonomics and multiple component combinations for an innovative system solution on a modular platform. At 3.3 ft. (1 m) the system supports up to 281 lb. (127.7 kg). Recommended for use with Syspend Aluminum HMI and Concept HMI enclosures.

FEATURES

- System supports up to 281 lb. and allows operators to easily move controls into and out of position
- Multiple modular components available to provide ergonomic, fatigue-free operation
- Clean lines and smooth transitions between tubes and system components provide attractive aesthetics and allow for ease of cleaning
- Tubing provides structural integrity and acts as equipment wiring conduit

- Vertical motion pedestal tubes provide versatile, height-adjustable solutions for pedestal mounting
- Secure attachment with sixfold positive connection between tubes and components along with recessed mounting areas in components; no additional safety drilling required
- Secure connections and easy adjustment of system alignment using tube setscrews, coated with LOCTITE, that seal threaded holes
- System design allows for user friendly readjustment at any time without disassembling the complete system
- Cable access covers available on all components
- Multiple tube lengths offer system design versatility
- Heavy-duty bearings in all movable joints for convenient, smooth operation and enhanced durability to withstand stresses of repeated use
- Variable torque adjustment available for all rotating components; general adjustment at the bearing with locking handle adjustment on enclosure couplings

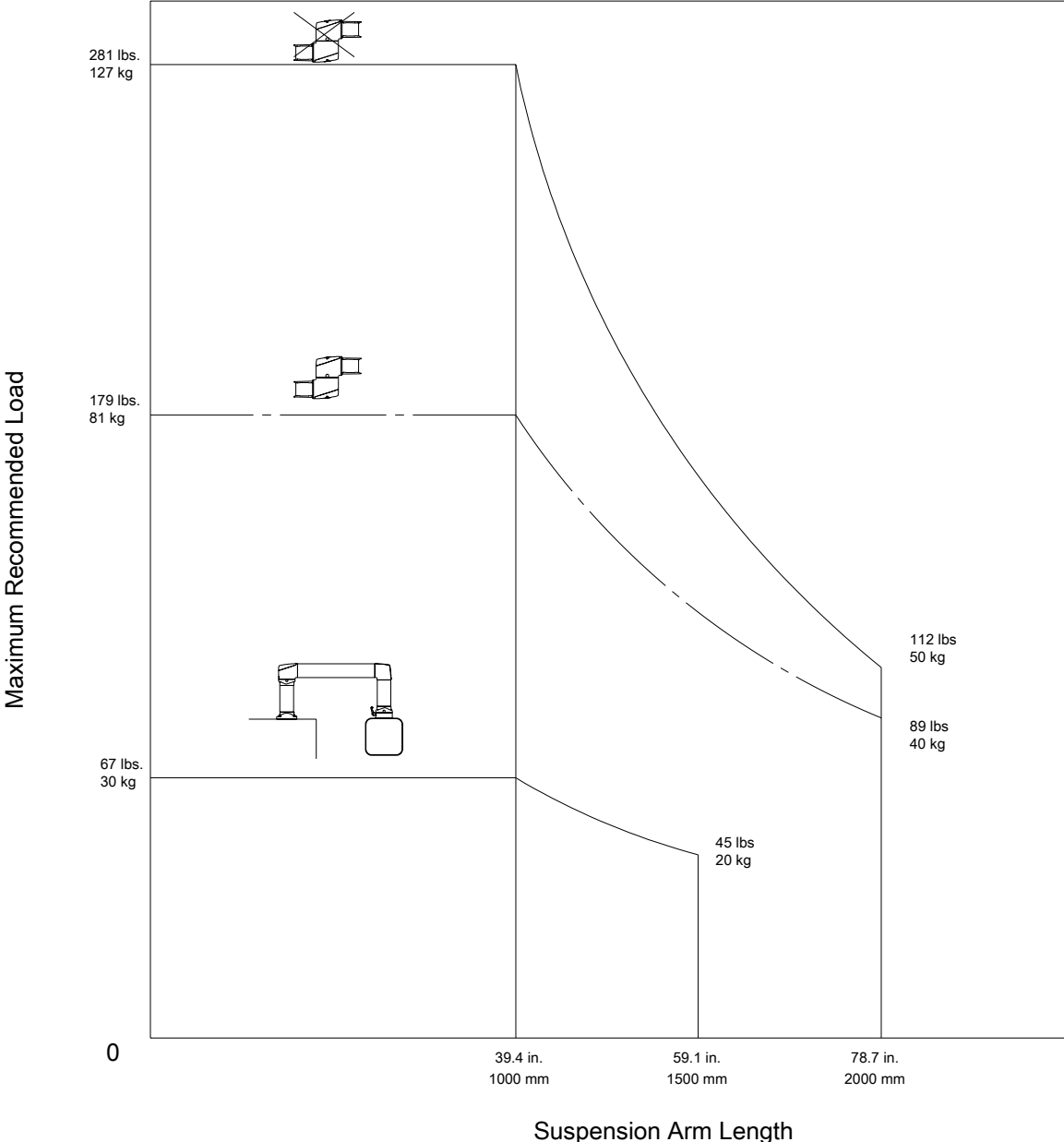
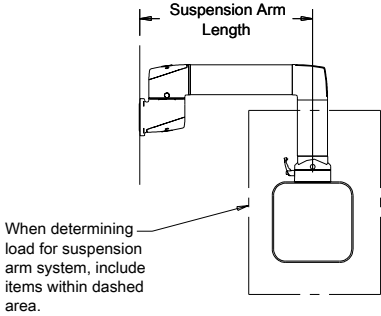
SPECIFICATIONS

- Silver anodized aluminum tubes
- RAL 9005 black die-cast aluminum components
- Gray composite cable access covers
- Oil-resistant neoprene gaskets

SYSTEM LOAD CAPACITY

The Syspend 281-Max load graph is the result of load capacity tests. Please contact nVent HOFFMAN for specific application information.

Load Diagram

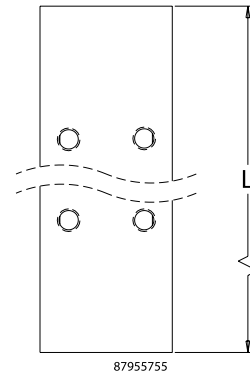
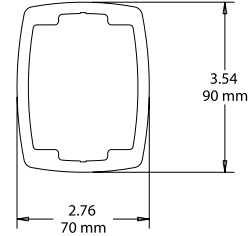




Angled aluminum tubes provide structural integrity and act as conduit for equipment wiring. Tubes attach to system components with 6 setscrews on each end of the tube. (Setscrews are provided with the mating system components, not the tubes.) Setscrews allow for easy adjustment and leveling of the system. Setscrews are provided with LOCTITE to seal threaded holes and provide secure connections. Available in 8 standard lengths ranging from 250 mm to 2000 mm. Tubes 750 mm and longer include drilling template to assist with drilling and tapping the holes when the tube is cut to length.

BULLETIN: CS4

Catalog Number	L (mm)	L (in.)	Weight (lb.)
S2MT250	250	9.84	2.8
S2MT500	500	19.68	5.4
S2MT750	750	29.53	8.2
S2MT1000	1000	39.37	11.0
S2MT1250	1250	49.21	13.7
S2MT1500	1500	59.05	16.5
S2MT1750	1750	68.90	19.3
S2MT2000	2000	78.74	22.0



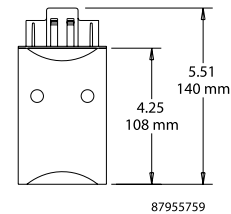
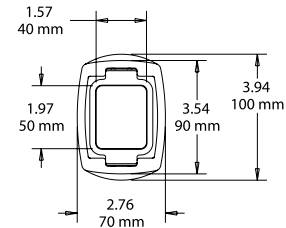
TUBE ADAPTER



Use a Tube Adapter when the tube is cut to length and it is not desirable to drill and tap new holes in the tube. Adapter attaches to the tube with internal setscrews and provides mounting holes at the end where the tube was cut. RAL 9005 black finish. Die-cast aluminum construction. Includes installation instructions, gasket and hardware for attaching to the tube.

BULLETIN: CS4

Catalog Number	Weight (lb.)
S2MTA	1.6

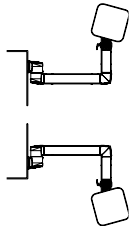


ANGLED COUPLING TILTED FORWARD

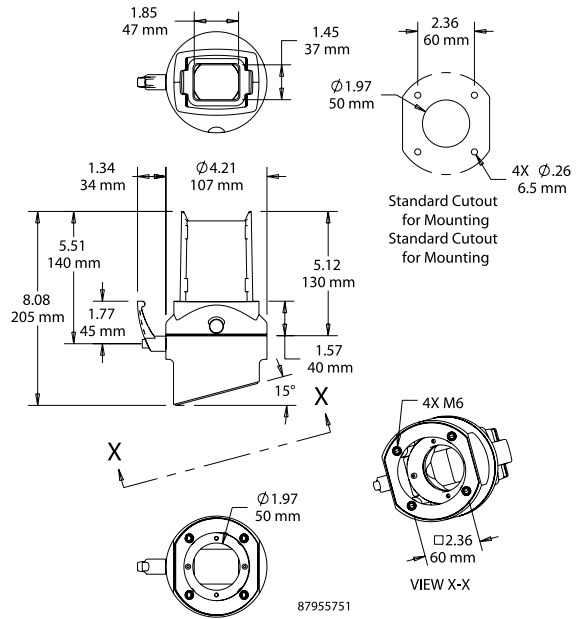


Use Angled Coupling Tilted Forward to mount enclosure at a 15-degree forward angle. Enclosure can be rotated 300 degrees and locked in position. Includes safety stop and maintenance-free bearing. RAL 9005 black finish. Die-cast aluminum construction. Includes installation instructions, gaskets, tube setscrews and enclosure mounting hardware.

BULLETIN: CS4



Catalog Number	Weight (lb.)
S2MACF	3.7

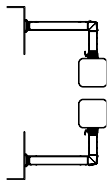


FLANGE COUPLING

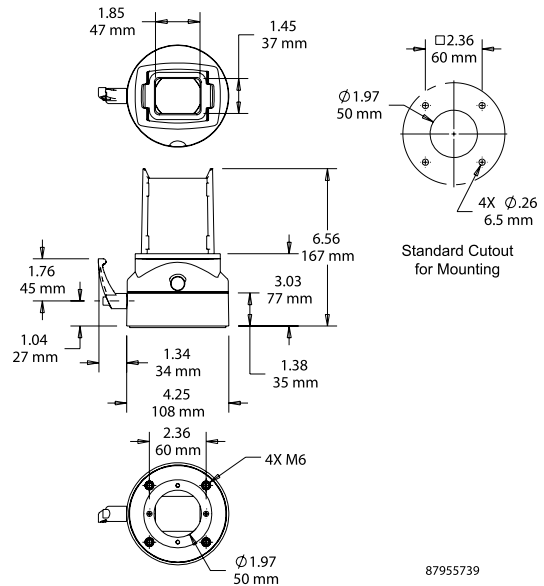


Flange Coupling attaches a tube to the enclosure, enabling 300-degree enclosure rotation. Enclosure can be locked in position. Flange Coupling has safety stop and maintenance-free bearing. RAL 9005 black finish. Die-cast aluminum construction. Includes installation instructions, gaskets, tube setscrews and enclosure mounting hardware.

BULLETIN: CS4



Catalog Number	Weight (lb.)
S2MFC	3.2

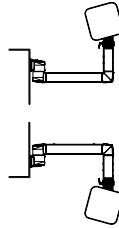


ANGLED COUPLING TILTED BACK

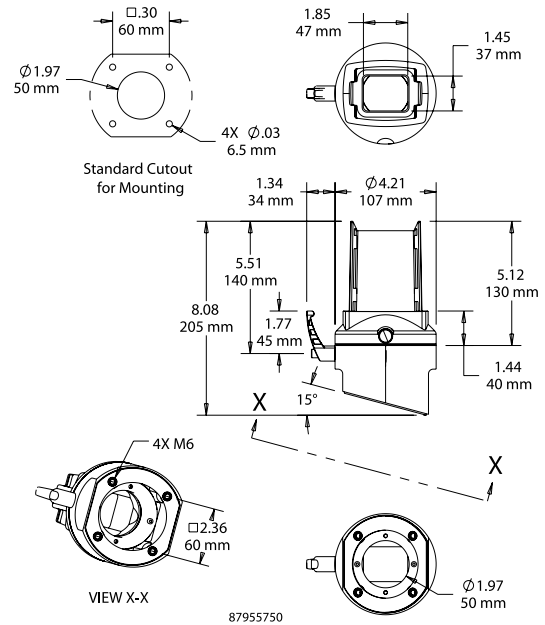


Use Angled Coupling Tilted Backward to mount enclosure at a 15-degree backward angle. Enclosure can be rotated 300 degrees and locked in position. Includes safety stop and maintenance-free bearing. RAL 9005 black finish. Die-cast aluminum construction. Includes installation instructions, gaskets, tube setscrews and enclosure mounting hardware.

BULLETIN: CS4



Catalog Number	Weight (lb.)
S2MACB	3.7

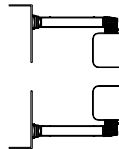


FLANGE ELBOW COUPLING

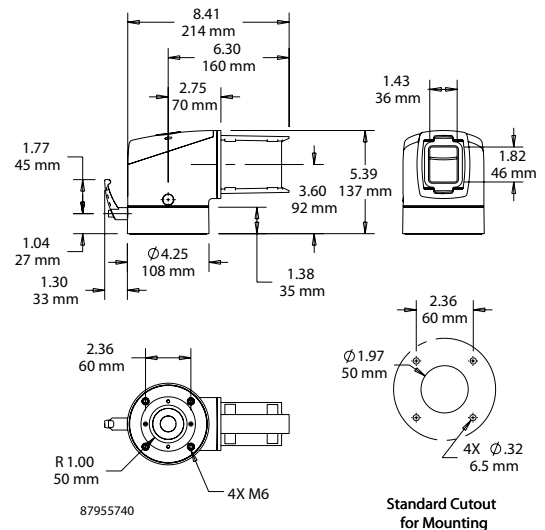


Flange Elbow Coupling attaches directly to the enclosure for applications where a vertical tube is not required. Enables enclosure to be rotated 300 degrees and locked in position. Includes safety stop and maintenance-free bearing. RAL 9005 black finish. Die-cast aluminum construction. Includes cable access cover, installation instructions, gaskets, tube setscrews and enclosure mounting hardware.

BULLETIN: CS4



Catalog Number	Weight (lb.)
S2MFEC	4.6



BASE COUPLING

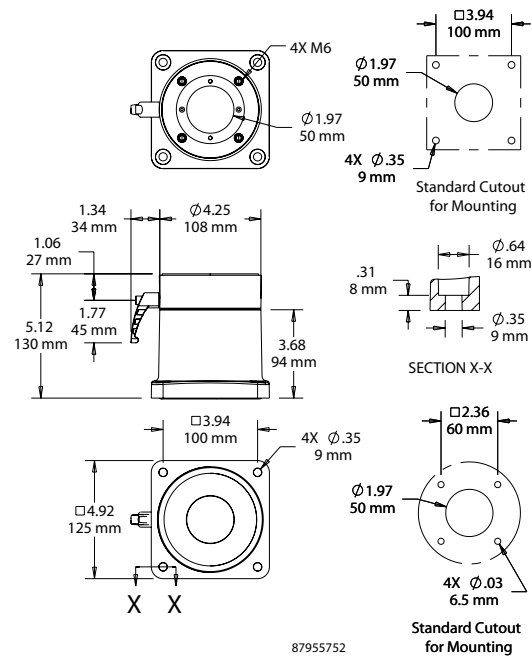


Base Coupling attaches the enclosure directly to a horizontal surface. Enclosure can be rotated 300 degrees and locked in position. Includes safety stop and maintenance-free bearing. RAL 9005 black finish. Die-cast aluminum construction. Includes installation instructions, gaskets and enclosure mounting hardware. Surface mounting hardware not provided.

BULLETIN: CS4



Catalog Number	Weight (lb.)
S2MBC	4.7

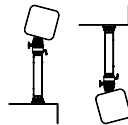


ANGLED ADAPTER, STEPLESS 30 DEGREES

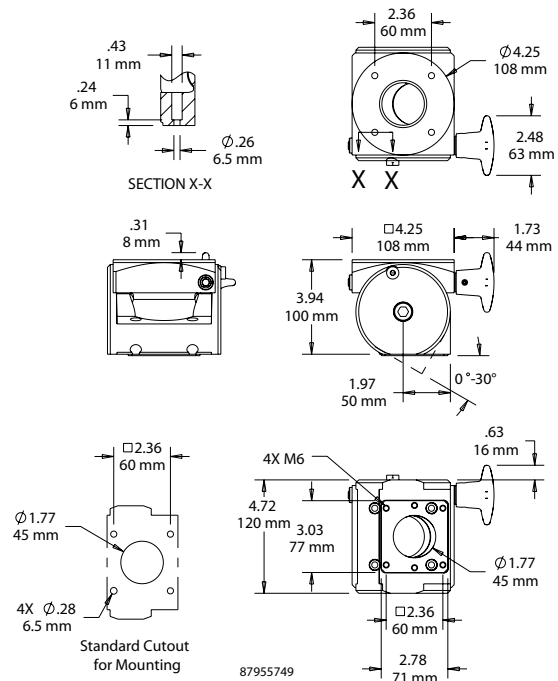


Angled Adapter must be used in conjunction with a coupling (not compatible with S2MFC48). Enclosure angle can be adjusted forward or backward up to 30 degrees. RAL 9005 black finish. Die-cast aluminum construction. Includes installation instructions, gasket and enclosure mounting hardware. **Maximum load bearing capacity is 67 lb. (30.4 kg).**

BULLETIN: CS4



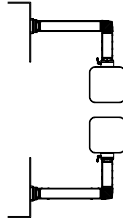
Catalog Number	Weight (lb.)
S2MAA	4.1



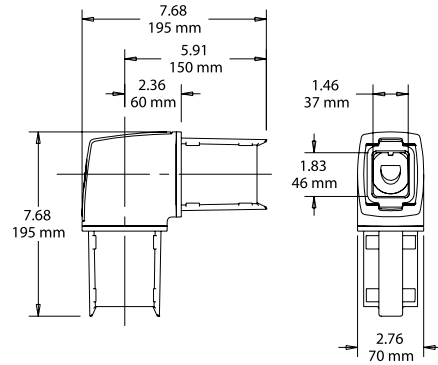


Elbow provides a 90-degree bend in the suspension system. RAL 9005 black finish. Die-cast aluminum construction. Includes removable cable access cover, installation instructions, gaskets and tube setscrews.

BULLETIN: CS4



Catalog Number	Weight (lb.)
S2ME	3.7



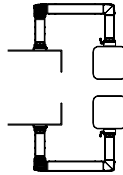
87955746

ROTATABLE ELBOW

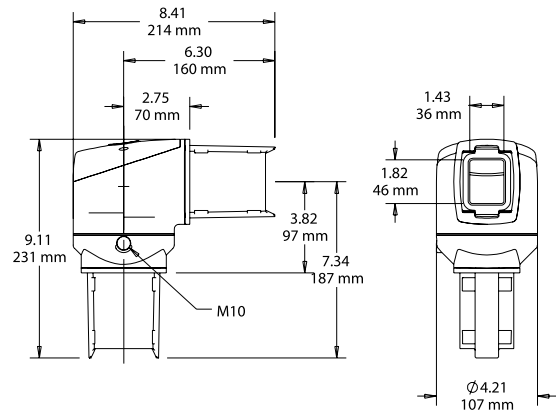


Rotatable elbow provides a 90-degree bend in the suspension system and allows the vertical tube to rotate 300 degrees. Includes safety stop and maintenance-free bearing. RAL 9005 black finish. Die-cast aluminum construction. Includes removable cable access cover, installation instructions, gaskets and tube setscrews.

BULLETIN: CS4



Catalog Number	Weight (lb.)
S2MER	5.4



87955747

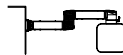
INTERMEDIATE JOINT



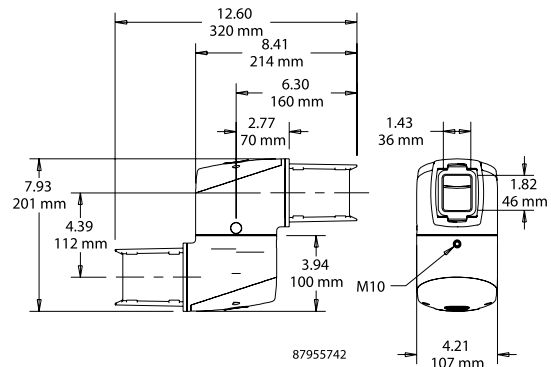
Use Intermediate Joint to join two horizontal tubes together for a longer run. Arm can be rotated or turned 300 degrees. Includes safety stop and maintenance-free bearing. RAL 9005 black finish. Die-cast aluminum construction. Includes two removable cable access covers, installation instructions, gaskets and tube setscrews.

Use of the Intermediate Joint reduces the system load capacity to 179 lb. (81.2 kg) at 3.3 ft. (1 m).

BULLETIN: CS4



Catalog Number	Weight (lb.)
S2MIJ	6.5



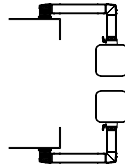
87955742

SET-UP JOINT

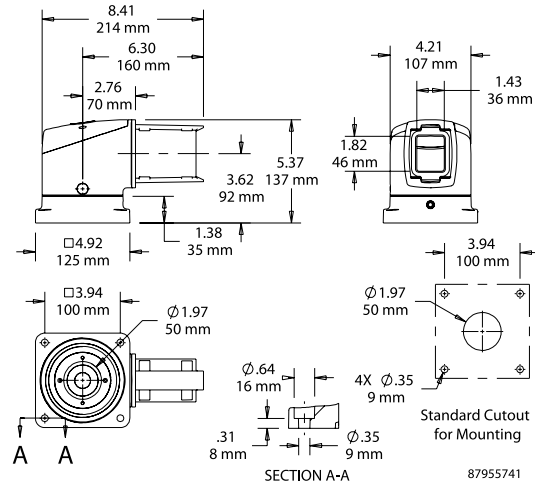


Set-Up Joint mounts suspension system to a horizontal surface. Arm can be rotated or turned 300 degrees. Includes safety stop and maintenance-free bearing. RAL 9005 black finish. Die-cast aluminum construction. Includes removable cable access cover, installation instructions, gaskets and tube setscrews. Surface mounting hardware not provided.

BULLETIN: CS4



Catalog Number	Weight (lb.)
S2MSJ	5.0

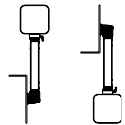


VERTICAL WALL JOINT

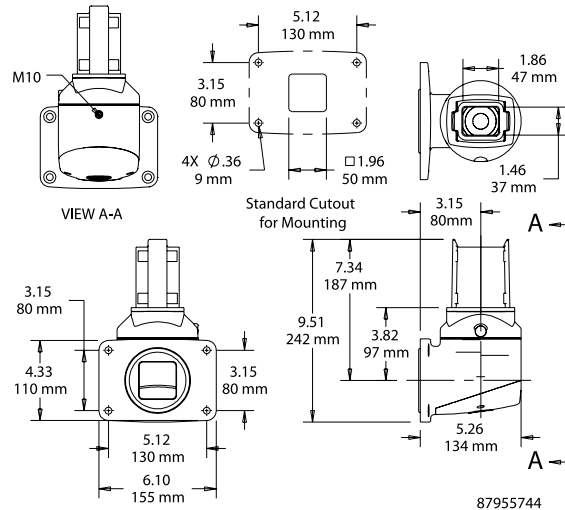


Vertical Wall Joint mounts suspension system to vertical surface and allows tube to extend vertically. Enables arm to be rotated or turned 300 degrees. Includes safety stop and maintenance-free bearing. RAL 9005 black finish. Die-cast aluminum construction. Includes removable cable access cover, installation instructions, gaskets and tube setscrews. Surface mounting hardware not provided.

BULLETIN: CS4



Catalog Number	Weight (lb.)
S2MWJV	5.4



HORIZONTAL WALL JOINT

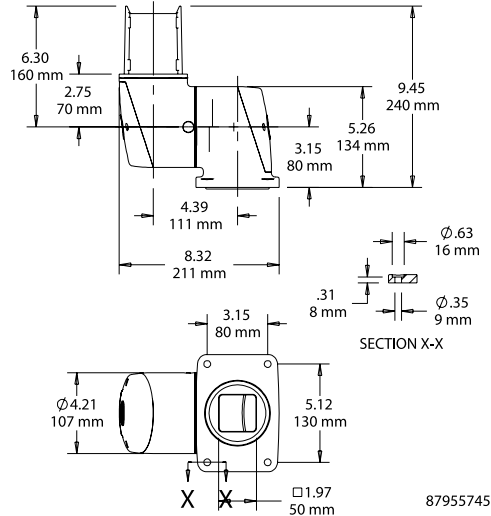
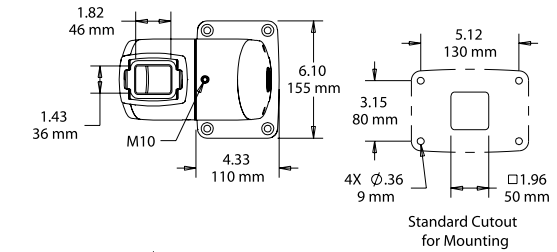


Horizontal Wall Joint mounts suspension system to vertical surface, allowing tube to extend horizontally. Arm can be rotated or turned 300 degrees. Includes safety stop and maintenance-free bearing. RAL 9005 black finish. Die-cast aluminum construction. Includes two removable cable access covers, installation instructions, gaskets and tube setscrews. Surface mounting hardware not provided.

BULLETIN: CS4



Catalog Number	Weight (lb.)
S2MWJH	6.4



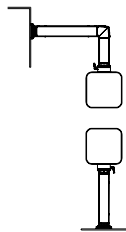
87955745

WALL FLANGE

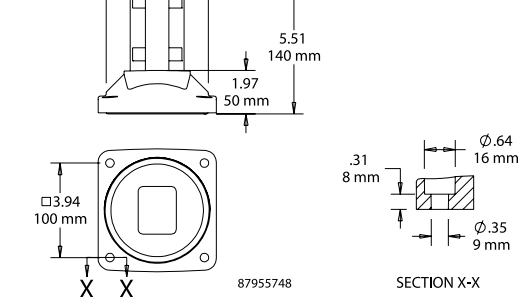
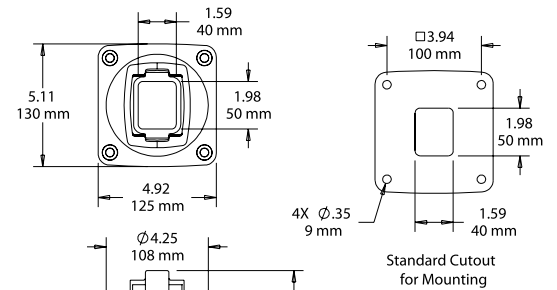


Wall Flange allows for fixed positioning on a horizontal or vertical surface when rotation is not needed. RAL 9005 black finish. Die-cast aluminum construction. Includes installation instructions, gaskets and tube setscrews. Surface mounting hardware not provided.

BULLETIN: CS4



Catalog Number	Weight (lb.)
S2MWF	2.8



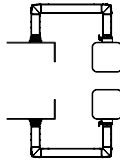
87955748

ROTARY BASE

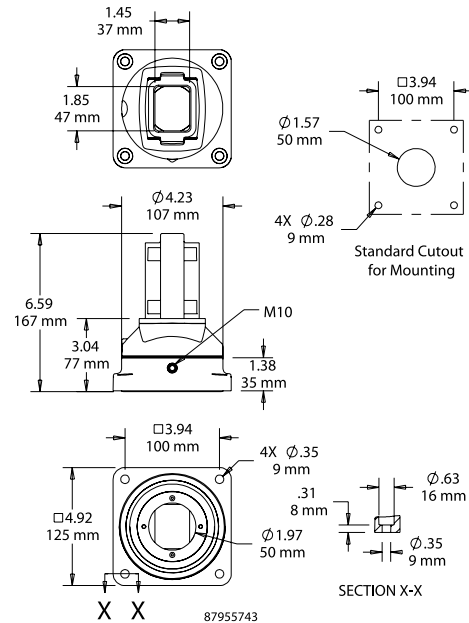


Rotary Base allows the entire suspension system to rotate at the point of attachment on a horizontal surface. Arm can be rotated or turned 300 degrees. Includes safety stop and maintenance-free bearing. RAL 9005 black finish. Die-cast aluminum construction. Includes installation instructions, gaskets and tube setscrews. Surface mounting hardware not provided.

BULLETIN: CS4



Catalog Number	Weight (lb.)
S2MRB	3.9



48-MM ROUND TUBE FLANGE COUPLING AND ADAPTER



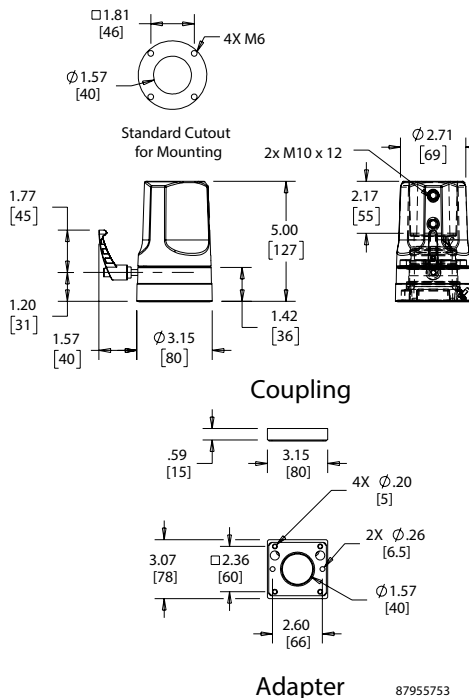
Use Flange Coupling to attach the Vertical Motion Pedestal Tube to the enclosure. Enclosure can be rotated 300 degrees and locked in position. Includes safety stop and maintenance-free bearing. RAL 9005 black finish. Die-cast aluminum construction. Includes installation instructions, gaskets and enclosure mounting hardware.

Coupling attaches to enclosure using a 48 x 48-mm hole pattern. An adapter is required to attach the coupling to a standard nVent HOFFMAN HMI enclosure that uses a 60 x 60-mm hole pattern (i.e., required for attaching to Concept HMI, CC2000, CC4000). Includes safety stop and maintenance-free bearing. RAL 9005 black finish. Die-cast aluminum construction. Includes installation instructions, gaskets and enclosure mounting hardware.

BULLETIN: CS4



Catalog Number	Description	Weight (lb.)
S2MFC48	Flange Coupling (Requires use of S2MA48 for enclosure with 60 x 60-mm hole pattern)	3.9
S2MA48	Adapter	0.2



VERTICAL MOTION PEDESTAL TUBES

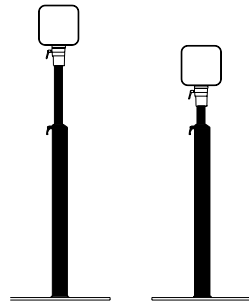
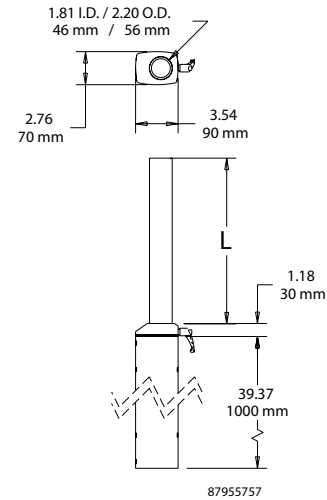


Height-adjustable tubes allow enclosure to be positioned at the optimal viewing height for different operators. Requires the 48-mm Round Tube Flange Coupling (S2MFC48) and Adapter (S2MA48) for attachment to Hoffman enclosures with a 60 x 60-mm hole pattern (i.e., required for attaching to Concept HMI, CC2000, CC4000).

- Adjustable from 1130 mm (44.49 in.) to 1380 mm (54.33 in.) with internal gas springs
 - Four models support loads ranging from 11 to 77 lb. (4.9 to 34.9 kg)
 - Height is fixed in place at any position by locking handle
 - Cables are separated from gas springs inside the tube
 - Internal strain-relief for cables inside the tube
 - Can be attached to Small Pedestal Base, Large Pedestal Base, Vertical Wall Joint, Wall Flange, Rotary Base, Elbow or Rotatable Elbow
 - Aluminum construction
- Tube cannot be inverted for overhead mounting on the enclosure. The weight of the coupling, adapter plate, enclosure and internal components must be factored into the load when selecting a tube.**

BULLETIN: CS4

Catalog Number	L Max. mm/in.	L Min. mm/in.	Load Capacity	Weight (lb.)
S2M10VP22	350 13.78	100 3.94	11-22 lb.	15.5
S2M10VP37	350 13.78	100 3.94	22-37 lb.	15.5
S2M10VP57	350 13.78	100 3.94	37-57 lb.	15.5
S2M10VP77	350 13.78	100 3.94	57-77 lb.	15.5



VERTICAL MOTION PEDESTAL TUBE LOAD CHART

Ambient Temperature	100 N (6-11 kg)	150 N (11-19 kg)	200 N (19-29 kg)	300 N (29-39 kg)
40°C	100 N (6-11 kg)	150 N (11-19 kg)	200 N (19-29 kg)	300 N (29-39 kg)
30°C	100 N (5.5-10.5 kg)	150 N (10.5-18 kg)	200 N (18-27.5 kg)	300 N (27.5-37 kg)
20°C	100 N (5-10 kg)	150 N (10-17 kg)	200 N (17-26 kg)	300 N (26-35 kg)

Damper Force/Total Weight

When using a Vertical Motion Pedestal the overall system load is limited to the load capacity of the Vertical Motion Pedestal.

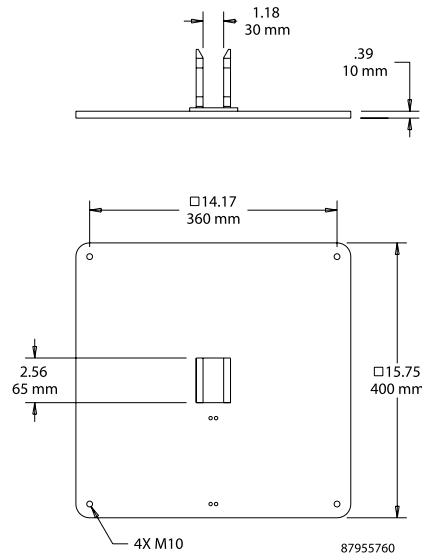
SMALL PEDESTAL BASE



Tubes attach directly to Small Pedestal Base. RAL 9005 black finish. Constructed from 3/8-in. thick steel plate. Includes installation instructions, cable ties and tube setscrews. Surface mounting hardware not provided.
Supports loads per Load Rating Graph.

BULLETIN: CS4

Catalog Number	Weight (lb.)
S2MPBS	29.1



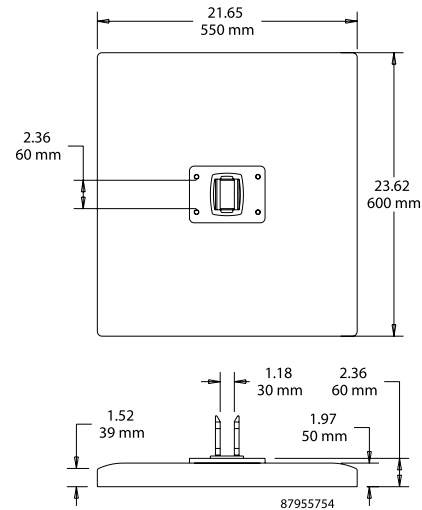
LARGE PEDESTAL BASE



Tubes attach directly to Large Pedestal Base. RAL 9005 black finish. Cast aluminum construction. Includes installation instructions and tube setscrews. Surface mounting hardware not provided.
Supports loads per Load Rating Graph.

BULLETIN: CS4

Catalog Number	Weight (lb.)
S2MPBL	25.7

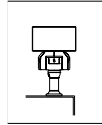


SWIVEL TILT COUPLING VERTICAL



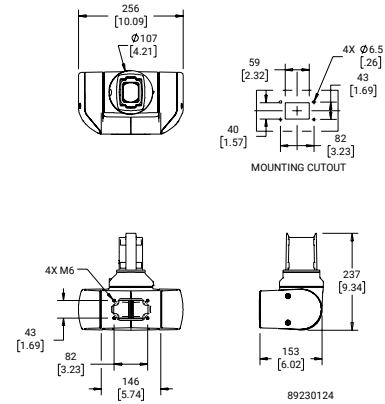
Syspend 281-MAX Swivel Tilt Coupling Vertical allows connection of panels, displays, and enclosures that can be mounted from the top or bottom. Rotation angle 300 degrees with stop. Tilt angle with adjustable stop +/- 105 degrees (without attachments). Screwed mounting opening, suitable for feed-through of DVI connectors.

BULLETIN: CS4



89230125

Catalog Number	Weight (lb.)
S2MSCV	10.32

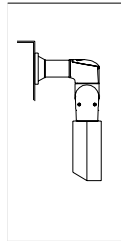


SWIVEL TILT COUPLING HORIZONTAL



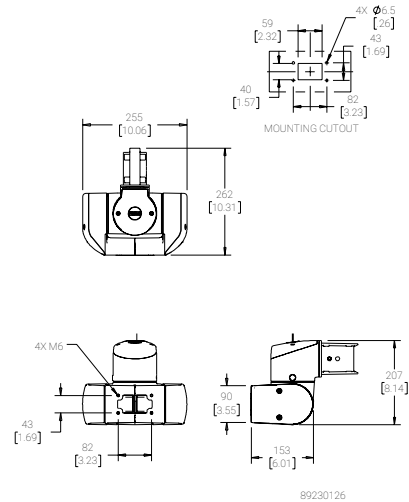
Syspend 281-MAX Swivel Tilt Coupling Horizontal allows connection of panels, displays, and enclosures that can be mounted from the top or bottom. Rotation angle 300 degrees with stop. Tilt angle with adjustable stop +/- 105 degrees (without attachments). Screwed mounting opening, suitable for feed-through of DVI connectors.

BULLETIN: CS4



89230127

Catalog Number	Weight (lb.)
S2MSCH	11.48

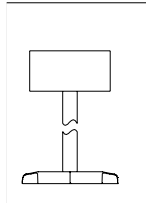


FLEX BASE



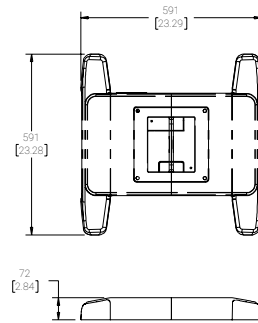
Syspend 281-MAX Flex Base offers a pedestal solution for operator stations to give flexible positions, manoeuvrability, and also stability in production. Choose the correct adapter plate for your application needs. Mount Castors to the bottom to roll around Flex Base. Mount Adjustable Feet to the bottom to help secure the Flex Base. Maximum of 4 additional weights can be installed to help stable the Flex base. Integrated earthing screws. Plenty of space for cable routing.

BULLETIN: CS4



89230131

Catalog Number	Weight (lb.)
S2MFBG	24.31



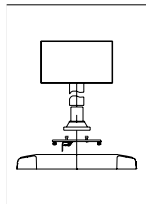
89230130

SYSPEND 180/281-MAX FLEX BASE ADAPTER PLATE



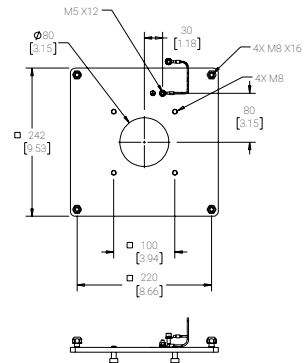
Syspend 180/281-MAX Flex Base Adapter Plate is attached to the Flex Base to allow connection with the Syspend 180/281-MAX tubes. Assembled Syspend 180 HMI Arm System has a max weight load of 180 lb. (81.6 kg). Assembled Syspend 281 HMI Arm System has a max weight load of 281 lb. (127.7 kg).

BULLETIN: CS4



89230132

Catalog Number	Weight (lb.)
S2MSYSAPG	7.41

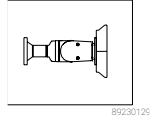


89230135



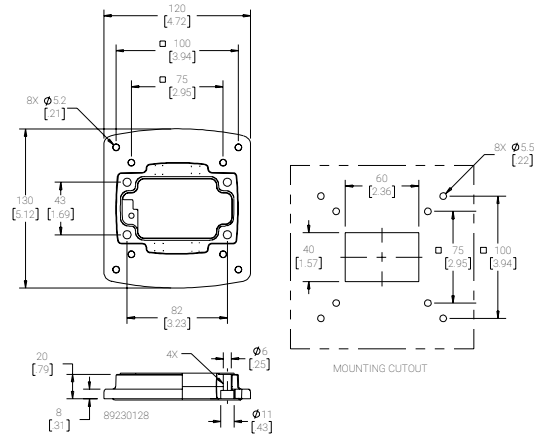
Syspend 281-MAX VESA Adapter Plate used to mount a monitor to the Swivel Tilt Coupling bracket. Compatible with 75/100 hole pattern. VESA 75/100 hole pattern. Helps mount Swivel Tilt Couplings to panels, displays, and IPCs.

BULLETIN: CS4



89230125

Catalog Number	Weight (lb.)
S2MVAP	.68



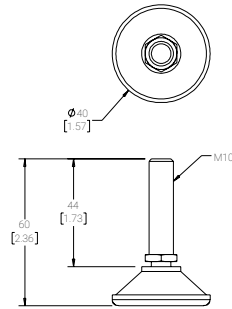
ADJUSTABLE FEET



Syspend 281-MAX Adjustable Feet will screw to the bottom of the Flex Base to help balance and keep stable. Adjustable Overall Height: 35-45mm. Load capacity per adjustable feet: 110 lbs (50 kg). Four pieces per set.

BULLETIN: CS4

Catalog Number	Weight (lb.)
S2MFBF	.42



89230139

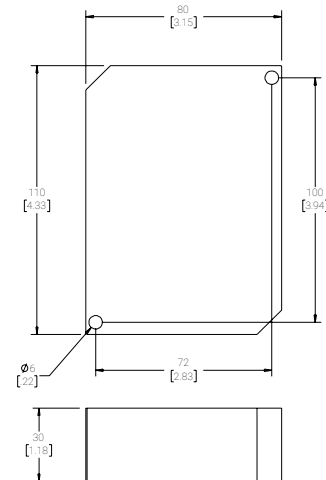
WEIGHT PIECE



Syspend 281-MAX Weight Piece helps increase the stability of the Flex Base. Four maximum weights can be installed on one flex base. Self forming screw included. Weights are installed from the bottom of the Flex Base.

BULLETIN: CS4

Catalog Number	Weight (lb.)
S2MFBW	4.53



89230138

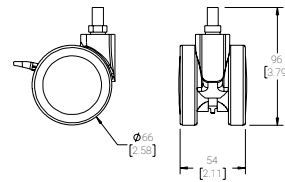
CASTERS



Syspend 281-MAX Casters will screw to the bottom of the Flex Base to have a mobile system. Load capacity per roll: 154 pounds (70 kg). Four pieces per set.

BULLETIN: CS4

Catalog Number	Weight (lb.)
S2MFBC	2.4



89230140

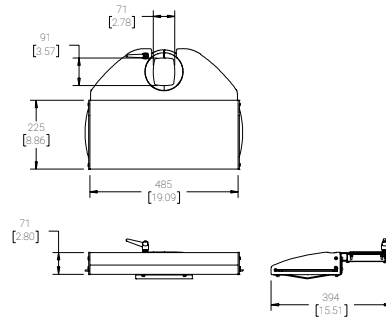
ERGO SLIDE WITH KEYBOARD TRAY



Syspend 281-MAX Ergo Slide with Keyboard Tray can rotate tool-free and can adjust up and down. Can be used with a suspension arm system or free standing system. Mousepad extended to the left or right. The connection is made with mechanical processing on the tube. Two plastic injection molded parts (common parts) are connected and fixed by a screw.

BULLETIN: CS4

Catalog Number	Weight (lb.)
S2MESAK	18.66



89230141

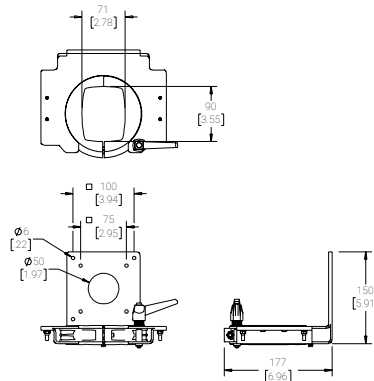
ERGO SLIDE WITH VESA HOLDER



Syspend 281-MAX Ergo Slide with VESA Holder can rotate tool-free and can adjust up and down. Can hold a monitor with a VESA hole pattern of 75/100. VESA Adapter Plate included.

BULLETIN: CS4

Catalog Number	Weight (lb.)
S2MESVM	4.24



89230142

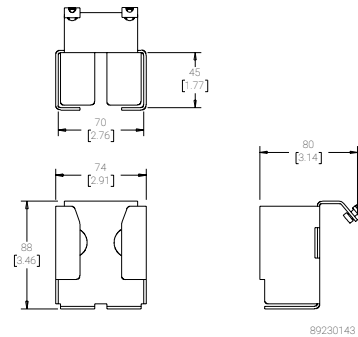
ERGO SLIDE MOUSE TRAY



Syspend 281-MAX Ergo Slide Mouse Tray can rotate tool-free and adjust up and down. Can be used with a suspension arm system. The mouse tray can be mounted on all current keyboard shelves variants. Max mouse size is 68 x 43 mm (2.68 x 1.69).

BULLETIN: CS4

Catalog Number	Weight (lb.)
S2MESMG	.67



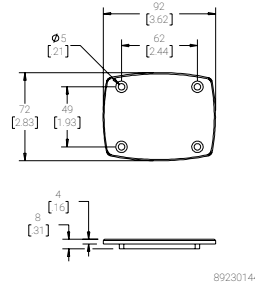
TUBE COVER



Syspend 281-MAX Tube Cover will help cover the end of the support tube. Mounts at end of support tube. Helps keep dirt, dust, and water out.

BULLETIN: CS4

Catalog Number	Weight (lb.)
S2MESTC	.25



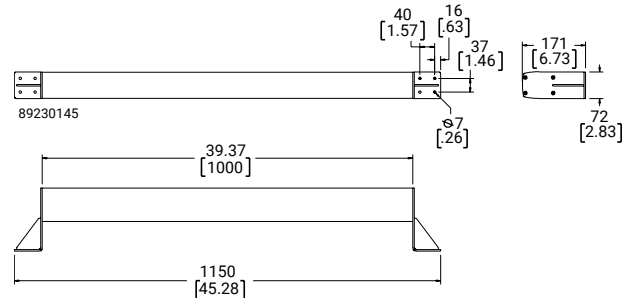
TUBE WALL BRACKET



Syspend 281-MAX Tube Wall Bracket used to mount the 281-MAX tube vertically in a wall mounting application. Includes two brackets and a tube for installation. Supports top and bottom.

BULLETIN: CS4

Catalog Number	Weight (lb.)
S2MESWB	2.81



HANDLE SCREW



Syspend 281-MAX Handle Screw will replace the screw for clamping the ergo slide. Enables tool-free adjustment. Enables tool-free adjustment.

BULLETIN: CS4

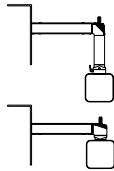
Catalog Number	Weight (lb.)
S2MESHS	.26

LIGHT SIGNAL ADAPTERS

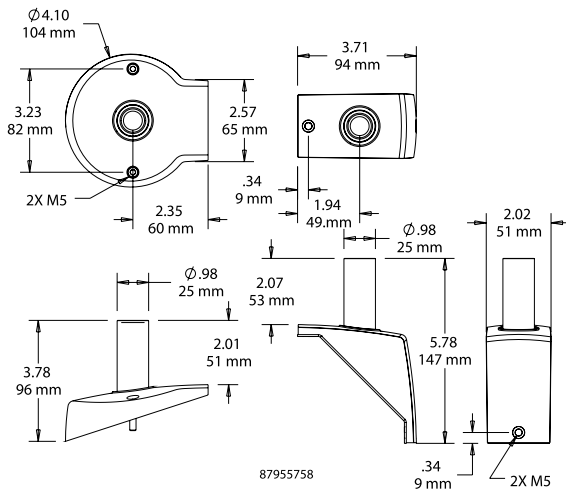


Light Signal Adapters are available in either round or elbow cover versions and provide a means for attaching signal lights. Signal lights are not included. Gray composite cover caps include a gasket, attachment hardware and post and replace the caps provided with other system components.

BULLETIN: CS4



Catalog Number	Description	Weight (lb.)
S2MLSAR	Round Cover	0.3
S2MLSAE	Rectangular Cover	0.3



ROTATION LIMITERS



Rotation limiters can be retro-fit on coupling and joint components and are adjustable in increments of 13.7 degrees. Limits rotation of couplings and joints which normally rotate 300 degrees. Kit includes ten steel balls, plug and installation instructions.

BULLETIN: CS4

Catalog Number	Weight (lb.)
S2MRL	0.1

TUBE HOLE PLUGS



Plastic hole plugs cover up the set screws in the tubes. Kit includes 50 hole plugs. Hole plugs are not needed to maintain the suspension system's NEMA Type 12 rating but provide an attractive smooth finish for the tube. Gray RAL 9006 color.

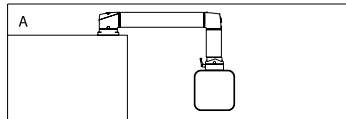
BULLETIN: CS4

Catalog Number
S2MTHP

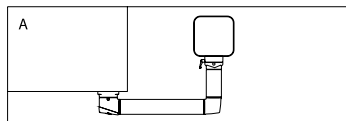
SYSTEM CONFIGURATIONS
Note to Specifier:

Select suspension system sizing using the Syspend 281-MAX load capacity chart.

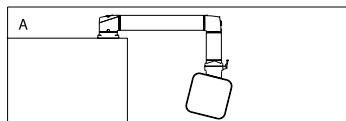
1. Tube catalog numbers are not included in configuration tables.
2. There are multiple configurations possible with many of the options shown. Components can be inverted in all cases except for Vertical Motion Pedestal Tube. For illustration purposes, configuration A shows how components can be inverted or used with varying enclosure couplings.
3. When using Vertical Motion Pedestal the overall system load is limited to load capacity of Vertical Motion Pedestal.
4. No tube section used vertically should exceed 59.05 inches (1500 mm).



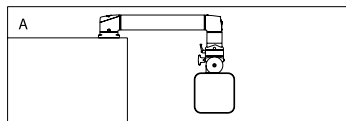
87956903



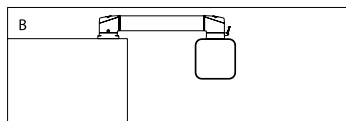
87956961



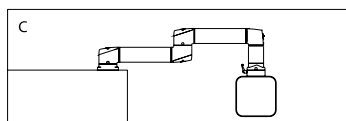
87956963



87956964



87956965



87956966

A

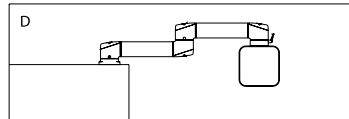
Description	Qty.	Catalog Number
Set-Up joint	1	S2MSJ
Elbow	1	S2ME
Flange Coupling or Angled Coupling (Tilted Back) or Angled Coupling (Tilted Forward)	1	S2MFC S2MACB S2MACF
For tilt, add Angled Adapter to coupling	1	S2MAA

B

Description	Qty.	Catalog Number
Set-Up joint	1	S2MSJ
Flange Elbow Coupling	1	S2MFEC
For tilt, add Angled Adapter to coupling	1	S2MAA

C

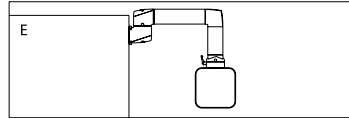
Description	Qty.	Catalog Number
Set-Up joint	1	S2MSJ
Intermediate Joint	1	s2mij
Elbow	1	s2me
Flange Coupling or Angled Coupling (Tilted Back) or Angled Coupling (Tilted Forward)	1	S2MFC S2MACB S2MACF
For tilt, add Angled Adapter to coupling	1	S2MAA



87956967

D

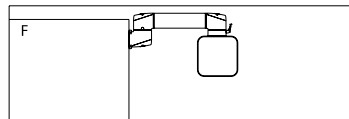
Description	Qty.	Catalog Number
Set-Up joint	1	S2MSJ
Intermediate Joint	1	S2MIJ
Flange Elbow Coupling	1	S2MFEC
For tilt, add Angled Adapter to coupling	1	S2MAA



87956969

E

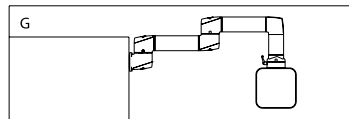
Description	Qty.	Catalog Number
Wall Joint, Horizontal	1	S2MWJH
Elbow	1	S2ME
Flange Coupling or Angled Coupling (Tilted Back)	1	S2MFC
or Angled Coupling (Tilted Forward)	1	S2MACB
	1	S2MACF
For tilt, add Angled Adapter to coupling	1	S2MAA



87956970

F

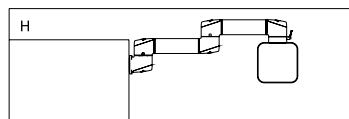
Description	Qty.	Catalog Number
Wall Joint, Horizontal	1	S2MWJH
Flange Elbow Coupling	1	S2MFEC
For tilt, add Angled Adapter to coupling	1	S2MAA



87956971

G

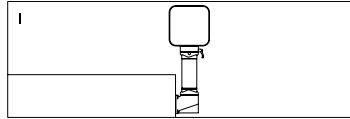
Description	Qty.	Catalog Number
Wall Joint, Horizontal	1	S2MWJH
Intermediate Joint	1	S2MIJ
Elbow	1	S2ME
Flange Coupling or Angled Coupling (Tilted Back)	1	S2MFC
or Angled Coupling (Tilted Forward)	1	S2MACB
	1	S2MACF
For tilt, add Angled Adapter to coupling	1	S2MAA



87956973

H

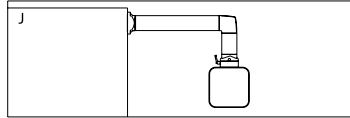
Description	Qty.	Catalog Number
Wall Joint, Horizontal	1	S2MWJH
Intermediate Joint	1	S2MIJ
Flange Elbow Coupling	1	S2MFEC
For tilt, add Angled Adapter to coupling	1	S2MAA



87956974

I

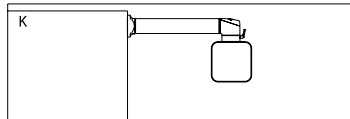
Description	Qty.	Catalog Number
Wall Joint, Vertical	1	S2MWJV
Flange Coupling or Angled Coupling (Tilted Back)	1	S2MFC
or Angled Coupling (Tilted Forward)	1	S2MACB S2MACF
For tilt, add Angled Adapter to coupling	1	S2MAA



87956975

J

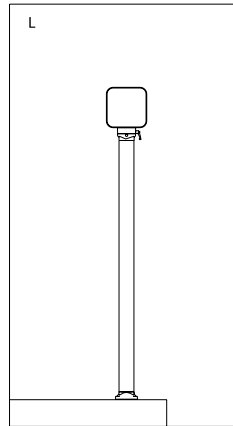
Description	Qty.	Catalog Number
Wall Flange	1	S2MWF
Elbow	1	S2ME
Flange Coupling or Angled Coupling (Tilted Back)	1	S2MFC
or Angled Coupling (Tilted Forward)	1	S2MACB S2MACF
For tilt, add Angled Adapter to coupling	1	S2MAA



87956976

K

Description	Qty.	Catalog Number
Wall Flange	1	S2MWF
Flange Elbow Coupling	1	S2MFEC
For tilt, add Angled Adapter to coupling	1	S2MAA

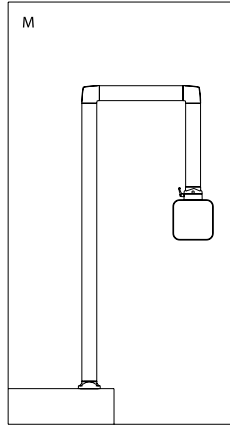


87956977

L

Description	Qty.	Catalog Number
Wall Flange	1	S2MWF
Flange Coupling or Angled Coupling (Tilted Back)	1	S2MFC
or Angled Coupling (Tilted Forward)	1	S2MACB S2MACF
For tilt, add Angled Adapter to coupling	1	S2MAA

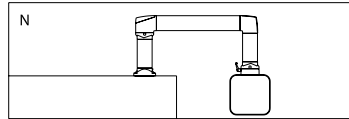
M



87956979

Description	Qty.	Catalog Number
Wall Flange	1	S2MWF
Elbow	2	S2ME
Flange Coupling or Angled Coupling (Tilted Back)	1	S2MFC
or Angled Coupling (Tilted Forward)	1	S2MACB S2MACF
For tilt, add Angled Adapter to coupling	1	S2MAA

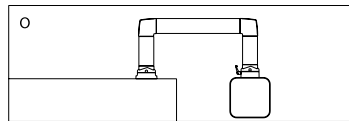
N



87956980

Description	Qty.	Catalog Number
Wall Flange	1	S2MWF
Rotary Elbow	1	S2MER
Elbow	1	S2ME
Flange Coupling or Angled Coupling (Tilted Back)	1	S2MFC
or Angled Coupling (Tilted Forward)	1	S2MACB S2MACF
For tilt, add Angled Adapter to coupling	1	S2MAA

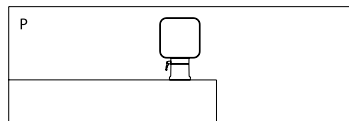
O



87956981

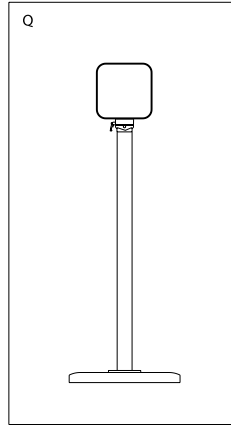
Description	Qty.	Catalog Number
Rotary Base	1	S2MRB
Elbow	2	S2ME
Flange Coupling or Angled Coupling (Tilted Back)	1	S2MFC
or Angled Coupling (Tilted Forward)	1	S2MACB S2MACF
For tilt, add Angled Adapter to coupling	1	S2MAA

P



87956982

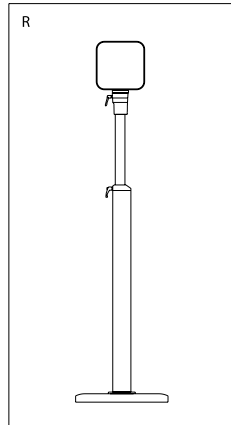
Description	Qty.	Catalog Number
Base Coupling	1	S1MBC
For tilt, add Angled Adapter to coupling	1	S2MAA



87956983

Q

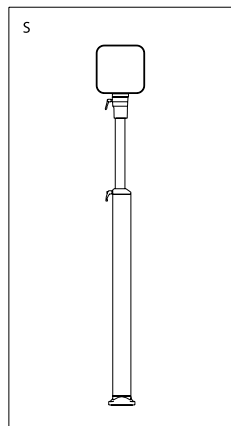
Description	Qty.	Catalog Number
Large Pedestal Base or Small Pedestal Base	1	S2MPBL S2MPBS
Flange Coupling or Angled Coupling (Tilted Back) or Angled Coupling (Tilted Forward)	1	S2MFC S2MACB S2MACF
For tilt, add Angled Adapter to coupling	1	S2MAA



87956984

R

Description	Qty.	Catalog Number
Large Pedestal Base or Small Pedestal Base	1	S2MPBL S2MPBS
Flange Coupling, 48-mm Round Tube	1	S2MFC48
Adapter, 48-mm Round Tube	1	S2MA48

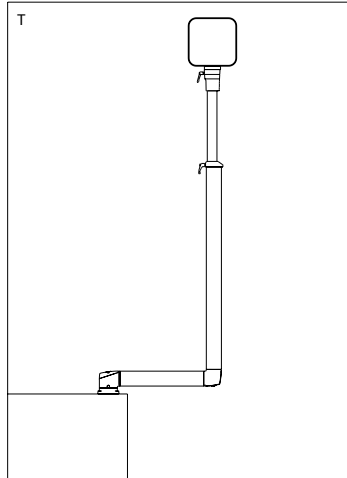


87956985

S

Description	Qty.	Catalog Number
Wall Flange	1	S2MWF
Flange Coupling, 48-mm Round Tube	1	S2MFC48
Adapter, 48-mm Round Tube	1	S2MA48

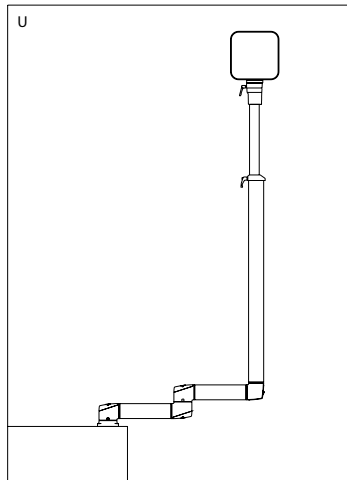
T



89104512

Description	Qty.	Catalog Number
Set-Up Joint	1	S2MSJ
Elbow	1	S2ME
Flange Coupling, 48mm Round Tube	1	S2MFC48
Adapter, 48mm Round Tube	1	S2MA48

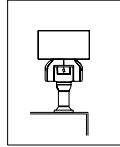
U



89104514

Description	Qty.	Catalog Number
Set-Up Joint	1	S2MSJ
Intermediate Joint	1	S2MIJ
Flange Coupling, 48mm Round Tube	1	S2MFC48
Adapter, 48mm Round Tube	1	S2MA48

V

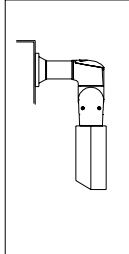


89230125

V

Description	Qty.	Catalog Number
281-Max Wall Flange	1	S2MWF
281-Max Swivel Tilt Coupling Vertical	1	S2MSCV

W

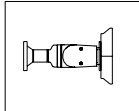


89230127

W

Description	Qty.	Catalog Number
281-Max Wall Flange	1	S2MWF
281-Max Swivel Tilt Coupling Horizontal	1	S2MSCH

X

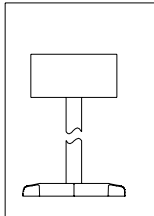


89230129

X

Description	Qty.	Catalog Number
281-Max Wall Flange	1	S2MWF
281-Max VESA Adapter Plate	1	S2MVAP

Y

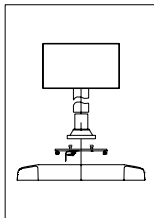


89230131

Y

Description	Qty.	Catalog Number
281-Max Flex Base	1	S2MFBG

Z



89230135

Z

Description	Qty.	Catalog Number
281-Max Wall Flange	1	S2MWF
281-Max Flex Base Adapter Plate	1	S2MSYSAPG

Notes