

Product data sheet

Specifications

SQUARE D



Safety switch, double throw, non fusible, 3 pole, 4 wire, 240VAC, 200A, Type 1, with neutral

DTU324N

Product availability: Stock - Normally stocked in distribution facility

Main

Product	Double Throw Safety Switch
Duty Rating	General duty
Disconnect Type	Non-fusible disconnect switch
Factory Installed Neutral	Neutral (factory installed)
Number of Poles	3
Current Rating	200 A
Voltage Rating	240 V AC
Enclosure Rating	NEMA 1
Motor power hp	15 hp at 240 V AC 50-60 Hz for 3 phase motors

Complementary

Short-circuit current	10 kA H or K 100 kA R, J or T
Fuse type	H or K R, J or T
Mounting Type	Surface
Wire Size	AWG 6...300 kcmil copper or aluminium
Tightening torque	340 lbf.in (38.4 N.m) (AWG 6...300 kcmil)
Depth	10.63 in (270.002 mm)
Width	26.25 in (666.75 mm)
Height	32.5 in (825.5 mm)
Net Weight	73.99 lb(US) (33.56 kg)

Environment

Certifications	UL Listed
----------------	-----------

Ordering and shipping details

Category	US10DE100033
Discount Schedule	0DE1
GTIN	785901911746
Returnability	Yes
Country of origin	MX

Price is "List Price" and may be subject to a trade discount – check with your local distributor or retailer for actual price.

Packing Units

Unit Type of Package 1	PCE
Nbr. of units in pkg.	1
Package 1 Height	10.800 in (27.432 cm)
Package 1 Width	26.200 in (66.548 cm)
Package 1 Length	34.200 in (86.868 cm)
Package weight(Lbs)	77.0009 lb(US) (34.927 kg)

Contractual warranty

Warranty	18 months
----------	-----------

Environmental Data

Schneider Electric aims to achieve Net Zero status by 2050 through supply chain partnerships, lower impact materials, and circularity via our ongoing “Use Better, Use Longer, Use Again” campaign to extend product lifetimes and recyclability.

[Environmental Data explained >](#)

[How we assess product sustainability >](#)

Environmental footprint

[Environmental Disclosure](#)

[Product Environmental Profile](#)

Use Better

Materials and Substances

Packaging made with recycled cardboard

Yes

Packaging without single use plastic

Yes

[EU RoHS Directive](#)

Compliant

REACH Regulation

[REACH Declaration](#)

California proposition 65

WARNING: This product can expose you to chemicals including: Lead and lead compounds, which is known to the State of California to cause cancer and birth defects or other reproductive harm. For more information go to www.P65Warnings.ca.gov

Use Again

Repack and remanufacture

Circularity Profile

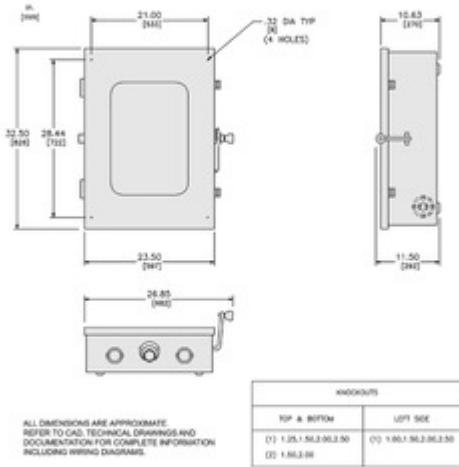
No need of specific recycling operations

Take-back

No

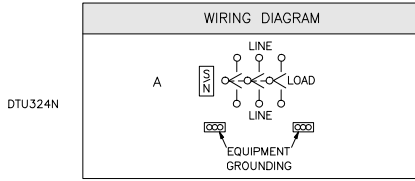
Technical Illustration

Dimensions



Technical Illustration

Wiring diagram



REFER TO TECHNICAL DRAWINGS AND DOCUMENTATION FOR COMPLETE INFORMATION.

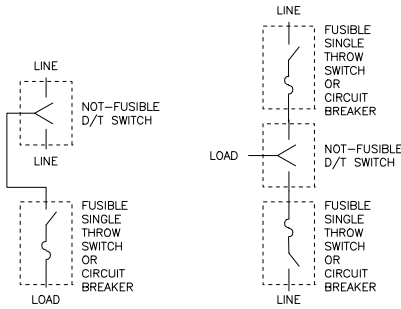


DIAGRAM 1

DIAGRAM 2

DIAGRAM 1 AND 2 ILLUSTRATE METHODS OF APPLYING FUSES TO DOUBLE THROW SWITCHES WHEN REQUIRED.