

Product data sheet

Specifications

SQUARE D



Mini circuit breaker, QO, 15A, 2 pole, 120/240VAC, 10kA, plug in, 6mA grd fault A, pigtail [TAA]

QO215GFI

Product availability: Stock - Normally stocked in distribution facility

Main

Product	Miniature circuit-breaker
Range	QO
Current Rating	15 A
Voltage Rating	120/240 V AC 120 V AC
Mounting Type	Plug-in
Number of Poles	2P
Circuit Breaker Type	Ground fault protecting class A 6 mA
Ratings	Not rated
Electrical Connection	Pressure plate

Complementary

Interrupt Rating	10 kA 120/240 V AC 10 kA 120 V AC
Number of Panel Spaces	2
Wire Size	AWG 14...AWG 8 copper AWG 12...AWG 8 aluminium
Tightening Torque	35.4 lbf.in (4 N.m) 40.7 lbf.in (4.6 N.m) 0.006...0.03 in ² (4...20 mm ²) (AWG 12...AWG 4)
Height	4.1 in (105 mm)
Width	1.5 in (38 mm)
Depth	2.9 in (74 mm)
Net Weight	0.950 lb(US) (0.431 kg)

Environment

Certifications	UL Listed CSA
Ambient Rating	104 °F (40 °C)

Ordering and shipping details

Category	US1DE2A00003
Discount Schedule	DE2A
GTIN	785901562986
Returnability	Yes

Price is "List Price" and may be subject to a trade discount – check with your local distributor or retailer for actual price.

Country of origin	MX
-------------------	----

Packing Units

Unit Type of Package 1	PCE
------------------------	-----

Nbr. of units in pkg.	1
-----------------------	---

Package 1 Height	3.60 in (9.144 cm)
------------------	--------------------

Package 1 Width	2.20 in (5.588 cm)
-----------------	--------------------

Package 1 Length	5.30 in (13.462 cm)
------------------	---------------------

Package weight(Lbs)	15.200 oz (430.912 g)
---------------------	-----------------------

Unit Type of Package 2	CAR
------------------------	-----

Number of Units in Package 2	33
------------------------------	----

Package 2 Height	5.40 in (13.716 cm)
------------------	---------------------

Package 2 Width	13.60 in (34.544 cm)
-----------------	----------------------

Package 2 Length	20.80 in (52.832 cm)
------------------	----------------------

Package 2 Weight	31.729 lb(US) (14.392 kg)
------------------	---------------------------

Compliance

Compliance	TAA
------------	-----

Contractual warranty

Warranty	18 months
----------	-----------



Environmental Data

Schneider Electric aims to achieve Net Zero status by 2050 through supply chain partnerships, lower impact materials, and circularity via our ongoing “Use Better, Use Longer, Use Again” campaign to extend product lifetimes and recyclability.

[Environmental Data explained >](#)

[How we assess product sustainability >](#)

Environmental footprint

Carbon footprint (kg CO2 eq, Total Life cycle) 41

Environmental Disclosure [Product Environmental Profile](#)

Use Better

Materials and Substances

Packaging made with recycled cardboard No

Packaging without single use plastic Yes

[EU RoHS Directive](#) Compliant with Exemptions

REACH Regulation [REACH Declaration](#)

California proposition 65 **WARNING:** This product can expose you to chemicals including: DINP, which is known to the State of California to cause cancer, and DIDP, which is known to the State of California to cause birth defects or other reproductive harm. For more information go to www.P65Warnings.ca.gov

Use Again

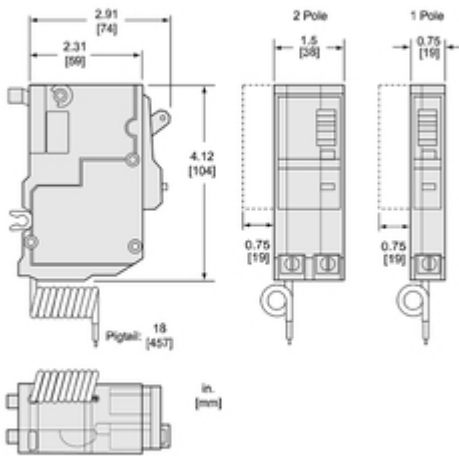
Repack and remanufacture

Circularity Profile [End of Life Information](#)

Take-back No

Technical Illustration

Dimensions



Technical Illustration

Wiring diagram

Typical Two-Pole GFCI Wiring

