

# Product data sheet

Specifications

SQUARE D



Branch unit, EZ Meter-Pak, 125A, 4 x 4 jaw sockets, 120/240VAC, no bypass, ringed, 800A Al busbar

EZM114125

Product availability: Stock - Normally stocked in distribution facility

## Main

Product	Meter Center Branch Unit
Current Rating	125 A
Type	Meter-Pak
Bus Rating	800 A
Number of Jaws	4 without jaw release
Number of Meter Sockets	4
Bypass Type	No bypass
Socket Type	Ringed

## Complementary

Certifications	UL Listed
Busbar Material	Aluminium: busbar
Enclosure Material	Steel
Enclosure Rating	NEMA 3R
Maximum Voltage Rating	120/240 V AC
Mounting	Surface
Phase	1 phase in 1 phase out
Wire Configuration	3-wire
Height	48.12 in (1222.25 mm)
Width	12.25 in (311.15 mm)
Depth	7.09 in (180.09 mm)

## Ordering and shipping details

Category	US10DE400020
Discount Schedule	0DE4
GTIN	785901402060
Returnability	Yes
Country of origin	MX

## Packing Units

Unit Type of Package 1	PCE
------------------------	-----

Price is "List Price" and may be subject to a trade discount – check with your local distributor or retailer for actual price.

<b>Nbr. of units in pkg.</b>	1
<b>Package 1 Height</b>	8.70 in (22.1 cm)
<b>Package 1 Width</b>	14.61 in (37.1 cm)
<b>Package 1 Length</b>	50.51 in (128.3 cm)
<b>Package weight(Lbs)</b>	63.520 lb(US) (28.812 kg)

## **Contractual warranty**

<b>Warranty</b>	18 months
-----------------	-----------

## Environmental Data

Schneider Electric aims to achieve Net Zero status by 2050 through supply chain partnerships, lower impact materials, and circularity via our ongoing “Use Better, Use Longer, Use Again” campaign to extend product lifetimes and recyclability.

[Environmental Data explained >](#)

[How we assess product sustainability >](#)

### Environmental footprint

Carbon footprint (kg CO2 eq, Total Life cycle) 632

Environmental Disclosure [Product Environmental Profile](#)

## Use Better

### Materials and Substances

Packaging made with recycled cardboard No

Packaging without single use plastic No

[EU RoHS Directive](#) Compliant with Exemptions

REACH Regulation [REACH Declaration](#)

California proposition 65 **WARNING:** This product can expose you to chemicals including: Lead and lead compounds, which is known to the State of California to cause cancer and birth defects or other reproductive harm. For more information go to [www.P65Warnings.ca.gov](http://www.P65Warnings.ca.gov)

## Use Again

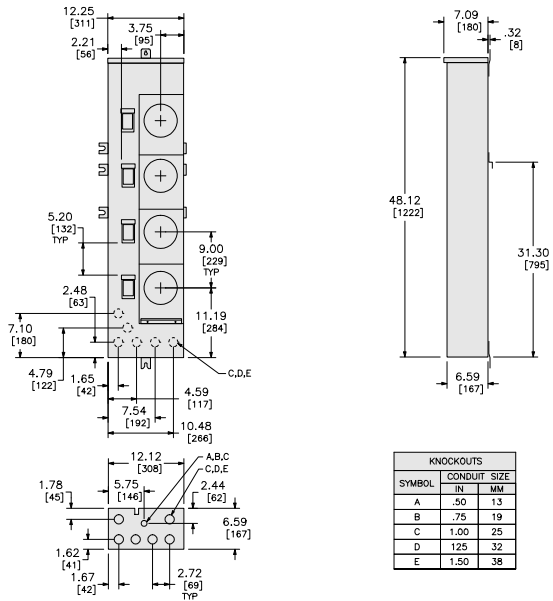
### Repack and remanufacture

Circularity Profile No need of specific recycling operations

Take-back No

Technical Illustration

Dimensions

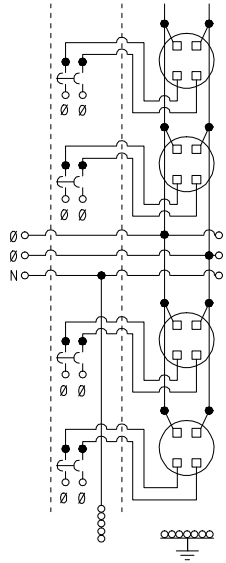


ALL DIMENSIONS ARE APPROXIMATE.  
REFER TO TECHNICAL DRAWINGS AND DOCUMENTATION FOR COMPLETE INFORMATION.

Technical Illustration

Wiring diagram

---



REFER TO TECHNICAL DRAWINGS AND DOCUMENTATION FOR COMPLETE INFORMATION.