



Meet Plug Load Control requirements faster than ever.

PT26352SCCT, PT26352CD, PT5362SCCH, PT5362CD

PlugTail® devices and connectors mean that device installation is the same regardless of skill level of the installer. The UL-Listed connectors are keyed to ensure proper wiring installation into each receptacle. The connector simply snaps into the back of the device – no fussing with wires, stripping, or tightening screws. PlugTail® devices are finger safe with no exposed terminals, so taping is not required. Device installation is faster than ever!

These durable, dependable receptacles feature a permanently marked, differentiated solution that meets all necessary code requirements. The controlled receptacle marking printed on the face of the receptacle is both NEMA-approved, and compliant with the National Electrical Code®, CA Title 24, and ASHRAE Energy Efficiency Standard 90.1. This clear, permanent marking helps end-users differentiate controlled receptacles from others.

Features & Benefits



Permanent controlled markings on face of receptacle compliant with ASHRAE 90.1, CA Title 24, and NEC.



Plated steel strap design for maximum durability and corrosion resistance.

Half-controlled versions include welded, pre-wired lead that controls top half of receptacle for split-circuit applications.

.032 inch thick, brass, triple-wipe power contacts for lasting retention.

Auto-ground clip assures positive ground.

PT26352SCCTW

- **Built-in connector** features large brass terminal contacts to ensure consistent, reliable electrical connections.
- **No exposed terminals** create a finger-safe application before, during, and after use.
- **Dual mechanical shutter system** to help prevent insertion of foreign objects (TR models).

3rd Party Compliance



cUL Listed, File Number E140596, Standard UL498. Federal Specification WC596. Conforms to NEMA WD-1 and WD-6.

Technical Information

Performance

Electrical

Dielectric Withstand Voltage	Withstands 2000V minimum
Maximum Working Voltage	125V
Current Interrupting	Certified for current interrupting at full-rated current (receptacle only)
Temperature Rise	Maximum 30°C temperature rise at full-rated current after 50 cycles of overload at 150% of rated current with direct current

Mechanical

PlugTail® Connector	#12 AWG, THHN, copper conductor, 6" leads, stripped, solid or Identification stranded, for use with PlugTail Receptacles only
Product Identification	Ratings are permanent part of the device

Environmental

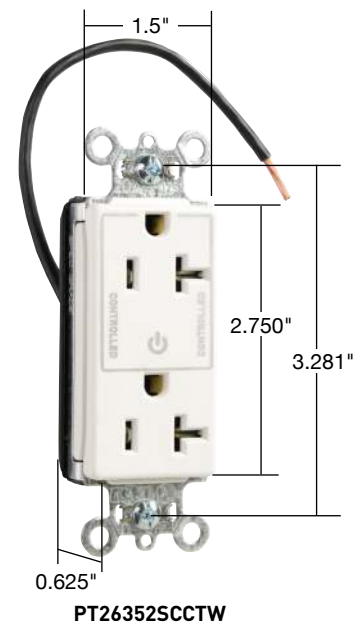
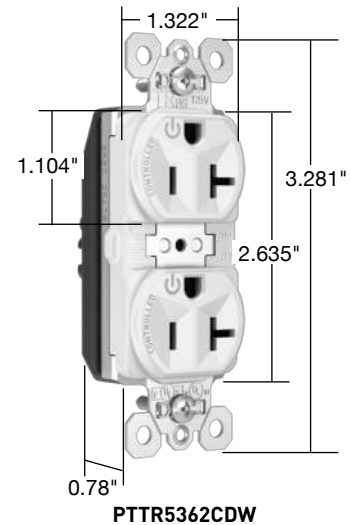
Flammability	UL94 V2
Operating Temperature	Maximum continuous +60°C, minimum -40°C (without impact)

Materials

Face	Nylon
Integral Ground System	.036 260 Brass
Back Body	PVC
Assembly Drive Screw	Zinc-Plated Steel
Line Contacts	.032 688 Brass
Auto-Ground Clip	Stainless Steel
Mounting Strap	.042" Zinc-Plated Steel
Mounting Screws	Tri-Drive Steel

Warranty

1 Year



Ordering Information (continued)

Half-Controlled TR PlugTail® Deco Receptacles

Catalog Number	Ratings	Color	NEMA Config.
PTTR26262SCCTBK	15A 125V	Black	5-15R
PTTR26262SCCTGRY	15A 125V	Grey	5-15R
PTTR26262SCCTI	15A 125V	Ivory	5-15R
PTTR26262SCCTLA	15A 125V	Lt. Almond	5-15R
PTTR26262SCCTW	15A 125V	White	5-15R
PTTR26262SCCTGN	15A 125V	Green	5-15R
PTTR26362SCCTBK	20A 125V	Black	5-20R
PTTR26362SCCTGRY	20A 125V	Grey	5-20R
PTTR26362SCCTI	20A 125V	Ivory	5-20R
PTTR26362SCCTLA	20A 125V	Lt. Almond	5-20R
PTTR26362SCCTW	20A 125V	White	5-20R
PTTR26362SCCTGN	20A 125V	Green	5-20R

Dual-Controlled TR PlugTail® Deco Receptacles

Catalog Number	Ratings	Color	NEMA Config.
PTTR26262CD	15A 125V	Brown	5-15R
PTTR26262CDBK	15A 125V	Black	5-15R
PTTR26262CDGRY	15A 125V	Grey	5-15R
PTTR26262CDI	15A 125V	Ivory	5-15R
PTTR26262CDLA	15A 125V	Lt. Almond	5-15R
PTTR26262CDW	15A 125V	White	5-15R
PTTR26262CDGN	15A 125V	Green	5-15R
PTTR26362CD	20A 125V	Brown	5-20R
PTTR26362CDBK	20A 125V	Black	5-20R
PTTR26362CDGRY	20A 125V	Grey	5-20R
PTTR26362CDI	20A 125V	Ivory	5-20R
PTTR26362CDLA	20A 125V	Lt. Almond	5-20R
PTTR26362CDW	20A 125V	White	5-20R
PTTR26362CDGN	20A 125V	Green	5-20R

Half-Controlled PlugTail® Deco Receptacles

Catalog Number	Ratings	Color	NEMA Config.
PT26252SCCTBK	15A 125V	Black	5-15R
PT26252SCCTGRY	15A 125V	Grey	5-15R
PT26252SCCTI	15A 125V	Ivory	5-15R
PT26252SCCTLA	15A 125V	Lt. Almond	5-15R
PT26252SCCTW	15A 125V	White	5-15R
PT26252SCCTGN	15A 125V	Green	5-15R
PT26352SCCTBK	20A 125V	Black	5-20R
PT26352SCCTGRY	20A 125V	Grey	5-20R
PT26352SCCTI	20A 125V	Ivory	5-20R
PT26352SCCTLA	20A 125V	Lt. Almond	5-20R
PT26352SCCTW	20A 125V	White	5-20R
PT26352SCCTGN	20A 125V	Green	5-20R

Dual-Controlled PlugTail® Deco Receptacles

Catalog Number	Ratings	Color	NEMA Config.
PT26252CD	15A 125V	Brown	5-15R
PT26252CDBK	15A 125V	Black	5-15R
PT26252CDGRY	15A 125V	Grey	5-15R
PT26252CDI	15A 125V	Ivory	5-15R
PT26252CDLA	15A 125V	Lt. Almond	5-15R
PT26252CDW	15A 125V	White	5-15R
PT26252CDGN	15A 125V	Green	5-15R
PT26352CD	20A 125V	Brown	5-20R
PT26352CDBK	20A 125V	Black	5-20R
PT26352CDGRY	20A 125V	Grey	5-20R
PT26352CDI	20A 125V	Ivory	5-20R
PT26352CDLA	20A 125V	Lt. Almond	5-20R
PT26352CDW	20A 125V	White	5-20R
PT26352CDGN	20A 125V	Green	5-20R

Ordering Information (continued)

Half-Controlled TR PlugTail® Duplex Receptacles

Catalog Number	Ratings	Color	NEMA Config.
PTTR5262SCCH	15A 125V	Brown	5-15R
PTTR5262SCCHBK	15A 125V	Black	5-15R
PTTR5262SCCHGRY	15A 125V	Grey	5-15R
PTTR5262SCCHI	15A 125V	Ivory	5-15R
PTTR5262SCCHLA	15A 125V	Lt. Almond	5-15R
PTTR5262SCCHW	15A 125V	White	5-15R
PTTR5262SCCHGN	15A 125V	Green	5-15R
PTTR5362SCCH	20A 125V	Brown	5-20R
PTTR5362SCCHBK	20A 125V	Black	5-20R
PTTR5362SCCHGRY	20A 125V	Grey	5-20R
PTTR5362SCCHI	20A 125V	Ivory	5-20R
PTTR5362SCCHLA	20A 125V	Lt. Almond	5-20R
PTTR5362SCCHW	20A 125V	White	5-20R
PTTR5362SCCHGN	20A 125V	Green	5-20R

Half-Controlled PlugTail® Duplex Receptacles

Catalog Number	Ratings	Color	NEMA Config.
PT5262SCCH	15A 125V	Brown	5-15R
PT5262SCCHBK	15A 125V	Black	5-15R
PT5262SCCHGRY	15A 125V	Grey	5-15R
PT5262SCCHI	15A 125V	Ivory	5-15R
PT5262SCCHLA	15A 125V	Lt. Almond	5-15R
PT5262SCCHW	15A 125V	White	5-15R
PT5262SCCHGN	15A 125V	Green	5-15R
PT5362SCCH	20A 125V	Brown	5-20R
PT5362SCCHBK	20A 125V	Black	5-20R
PT5362SCCHGRY	20A 125V	Grey	5-20R
PT5362SCCHI	20A 125V	Ivory	5-20R
PT5362SCCHLA	20A 125V	Lt. Almond	5-20R
PT5362SCCHW	20A 125V	White	5-20R
PT5362SCCHGN	20A 125V	Green	5-20R

Dual-Controlled TR PlugTail® Duplex Receptacles

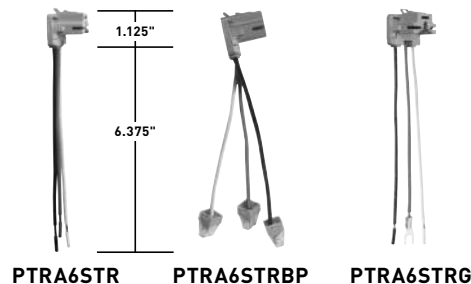
Catalog Number	Ratings	Color	NEMA Config.
PTTR5262CD	15A 125V	Brown	5-15R
PTTR5262CDBK	15A 125V	Black	5-15R
PTTR5262CDGRY	15A 125V	Grey	5-15R
PTTR5262CDI	15A 125V	Ivory	5-15R
PTTR5262CDLA	15A 125V	Lt. Almond	5-15R
PTTR5262CDW	15A 125V	White	5-15R
PTTR5262CDGN	15A 125V	Green	5-15R
PTTR5362CD	20A 125V	Brown	5-20R
PTTR5362CDBK	20A 125V	Black	5-20R
PTTR5362CDGRY	20A 125V	Grey	5-20R
PTTR5362CDI	20A 125V	Ivory	5-20R
PTTR5362CDLA	20A 125V	Lt. Almond	5-20R
PTTR5362CDW	20A 125V	White	5-20R
PTTR5362CDGN	20A 125V	Green	5-20R

Dual-Controlled PlugTail® Duplex Receptacles

Catalog Number	Ratings	Color	NEMA Config.
PT5262CD	15A 125V	Brown	5-15R
PT5262CDBK	15A 125V	Black	5-15R
PT5262CDGRY	15A 125V	Grey	5-15R
PT5262CDI	15A 125V	Ivory	5-15R
PT5262CDLA	15A 125V	Lt. Almond	5-15R
PT5262CDW	15A 125V	White	5-15R
PT5262CDGN	15A 125V	Green	5-15R
PT5362CD	20A 125V	Brown	5-20R
PT5362CDBK	20A 125V	Black	5-20R
PT5362CDGRY	20A 125V	Grey	5-20R
PT5362CDI	20A 125V	Ivory	5-20R
PT5362CDLA	20A 125V	Lt. Almond	5-20R
PT5362CDW	20A 125V	White	5-20R
PT5362CDGN	20A 125V	Green	5-20R

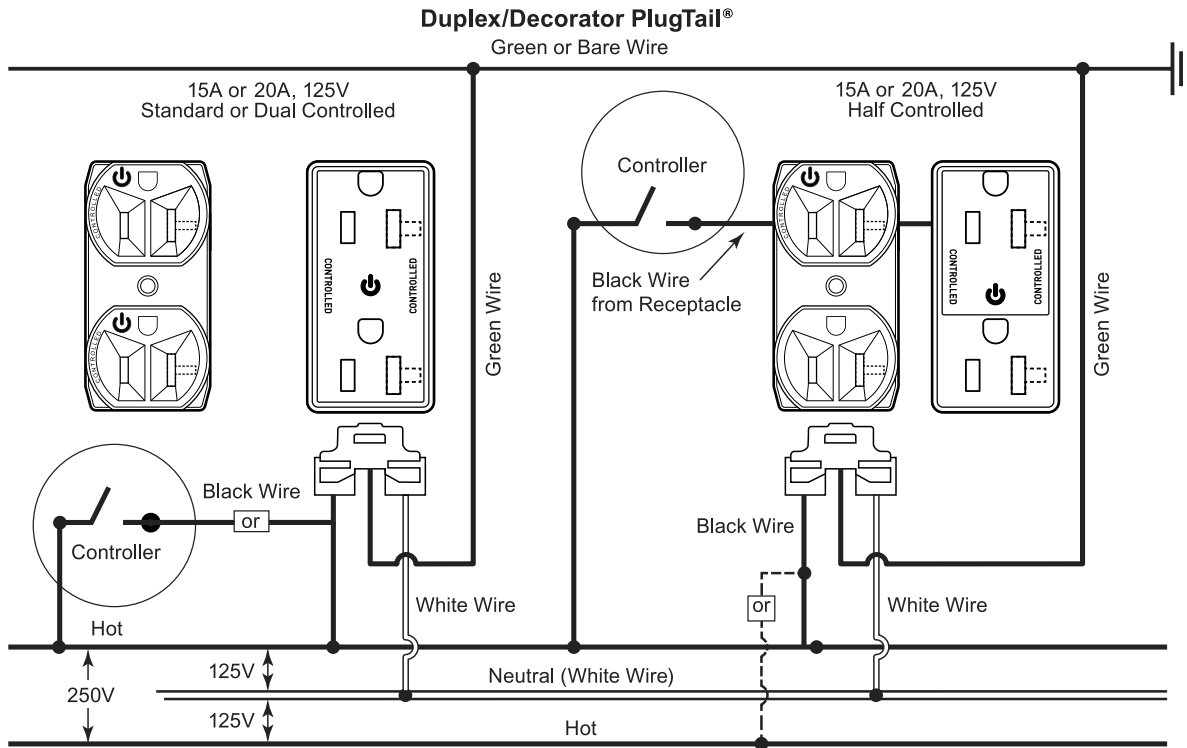
PlugTail® Connectors – Right Angle

Catalog Number	Wire Type	Length
PTRA6STR	#12 AWG Stranded	6 inches
PTRA6SOL	#12 AWG Solid	6 inches
PTRA6STRBP	#12 AWG Stranded with push-in connector	6 inches
PTRA6SOLBP	#12 AWG Solid with push-in connector	6 inches



For more information on these and other P&S products refer to our catalog or visit our website.

Plug Load PlugTail® Controllable Receptacles Wiring Diagram



Note: Hot conductors may be any color OTHER than white, gray or green.

Also available...

- USB Charging Devices
- Ground Continuity Monitoring (GCM)
- SPD & Isolated Ground Devices
- Hospital Grade Devices
- Straight Blade Plugs & Connectors
- IEC 309 Industrial Products
- PlugTail® Wiring Devices
- Turnlok® Locking Devices
- Flexcor® Wire Mesh Grips

The paper used to print this document is an environmentally responsible paper with 10% post consumer waste, with FSC and SFI Chain of Custody certifications, Lacey Act compliant. 100% of the electricity used to manufacture Flo sheets is generated with Green-e certified renewable energy.

All brand and product names referenced in this document are registered trademarks or trademarks of their respective holders.