

**READ AND FOLLOW ALL SAFETY INSTRUCTIONS!
SAVE THESE INSTRUCTIONS AND DELIVER TO OWNER AFTER INSTALLATION**

- To reduce the risk of death, personal injury or property damage from fire, electric shock, falling parts, cuts/abrasions, and other hazards please read all warnings and instructions included with and on the fixture box and all fixture labels.
- Before installing, servicing, or performing routine maintenance upon this equipment, follow these general precautions.
- Installation and service of luminaires should be performed by a **qualified licensed electrician**.
- Maintenance of the luminaires should be performed by person(s) familiar with the luminaires' construction and operation and any hazards involved. Regular fixture maintenance programs are recommended.
- It will occasionally be necessary to clean the outside of the refractor/lens. Frequency of cleaning will depend on ambient dirt level and minimum light output which is acceptable to user. Refractor/lens should be washed in a solution of warm water and any mild, non-abrasive household detergent, rinsed with clean water and wiped dry. Should optical assembly become dirty on the inside, wipe refractor/lens and clean in above manner, replacing damaged gaskets as necessary.
- **DO NOT INSTALL DAMAGED PRODUCT!** This luminaire has been properly packed so that no parts should have been damaged during transit. Inspect to confirm. Any part damaged or broken during or after assembly should be replaced.
- Recycle: For information on how to recycle LED electronic products, please visit www.epa.gov.
- These instructions do not purport to cover all details or variations in equipment nor to provide every possible contingency to meet in connection with installation, operation, or maintenance. Should further information be desired or should particular problems arise which are not covered sufficiently for the purchaser's or owner's purposes, this matter should be referred to Acuity Brands Lighting, Inc.



**WARNING
RISK OF ELECTRIC SHOCK**

- ✓ Disconnect or turn off power before installation or servicing.
- ✓ Verify that supply voltage is correct by comparing it with the luminaire label information.
- ✓ Make all electrical and grounded connections in accordance with the National Electrical Code (NEC) and any applicable local code requirements.
- ✓ All wiring connections should be capped with UL approved recognized wire connectors.



**WARNING
RISK OF BURN**

- ✓ Allow lamp/fixture to cool before handling. Do not touch enclosure or light source.
- ✓ Do not exceed maximum wattage marked on luminaire label.
- ✓ Follow all manufacturer's warnings, recommendations and restrictions for: driver type, burning position, mounting locations/methods, replacement and recycling.



**CAUTION
RISK OF INJURY**

- ✓ Wear gloves and safety glasses at all times when removing luminaire from carton, installing, servicing or performing maintenance.
- ✓ Avoid direct eye exposure to the light source while it is on.



**CAUTION
RISK OF FIRE**

- ✓ Keep combustible and other materials that can burn, away from lamp/lens.
- ✓ Do not operate in close proximity to persons, combustible materials or substances affected by heat or drying.

- ✓ Never connect components under load.
- ✓ Do not mount or support these fixtures in a manner that can cut the outer jacket or damage wire insulation.
- ✓ Controls for dimming, auto-sensing, or remote control of a luminaire that are not factory-wired to the luminaire must be checked for compatibility with the luminaire prior to installation. LED fixtures must be powered directly off a switched circuit.
- ✓ Unless individual product specifications deem otherwise: Do not restrict fixture ventilation. Allow for some volume of airspace around fixture. Avoid covering LED fixtures with insulation, foam, or other material that will prevent convection or conduction cooling.
- ✓ Unless individual product specifications deem otherwise: Do not exceed fixtures maximum ambient temperature.
- ✓ Only use fixture in its intended location.
- ✓ LED products are Polarity Sensitive. Ensure proper Polarity before installation.
- ✓ Electrostatic Discharge (ESD): ESD can damage LED fixtures. Personal grounding equipment must be worn during all installation or servicing of the unit.
- ✓ Do not touch individual electrical components as this can cause ESD, shorten lamp life, or alter performance.
- ✓ Some components inside the fixture may not be serviceable. In the unlikely event your unit may require service, stop using the unit immediately and contact an ABL representative for assistance.
- ✓ Always read the fixtures complete installation instructions prior to installation for any additional fixture specific warnings.
- ✓ Always ensure that the electrical distribution system is up to NEC (and any applicable local code) requirements.
- ✓ Verify that power distribution system has proper grounding. Lack of proper earth ground can lead to fixture failure and may void warranty.

All luminaires that contain electronic devices that generate frequencies above 9kHz from any component within the luminaire comply with Part 15 of the FCC Rules. Operation is subject to the following two conditions:

- (1) This device may not cause harmful interference
- (2) This device must accept any interference received, including interference that may cause undesired operation

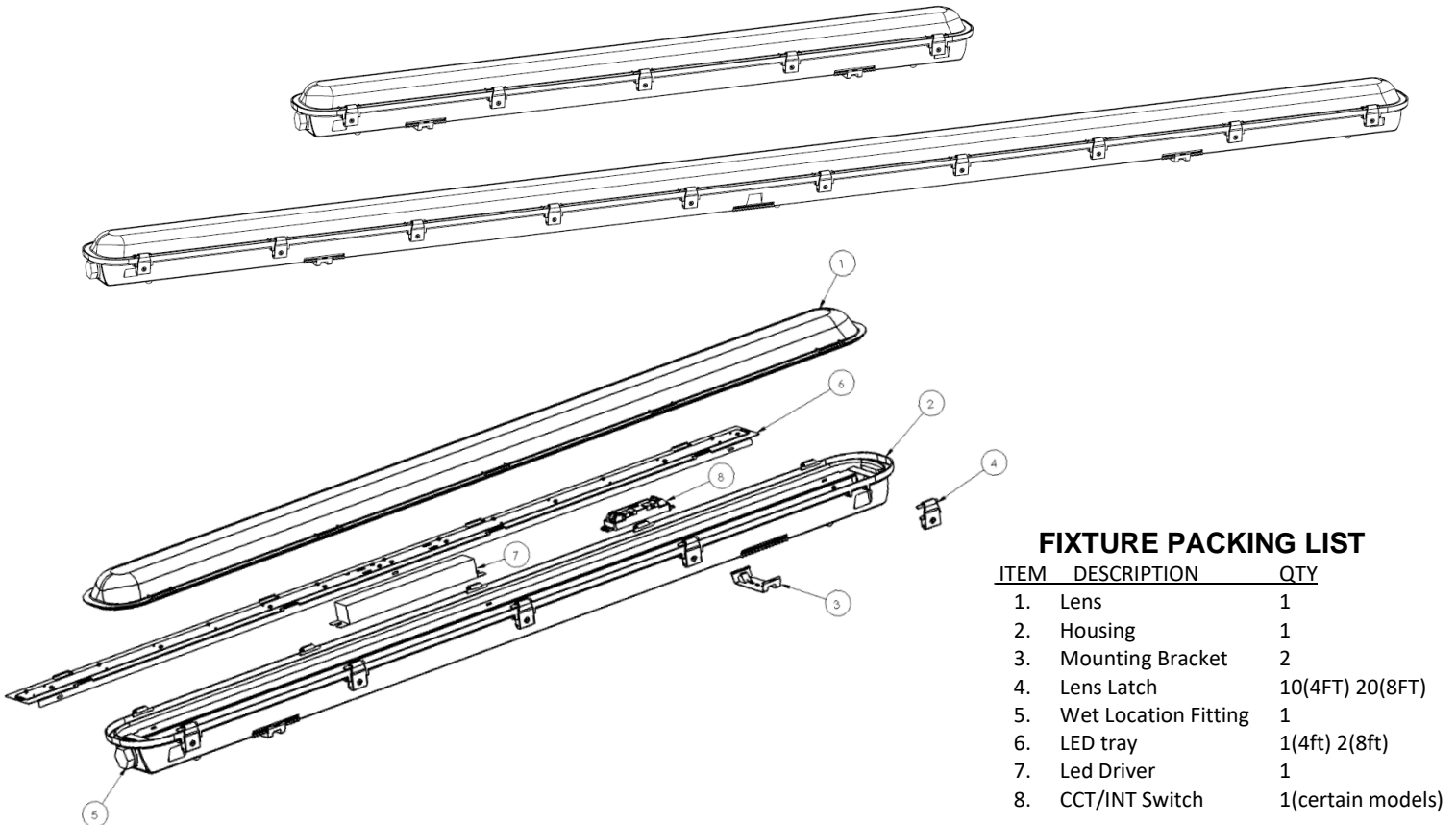
Failure to follow any of these instructions could void product warranties. For a complete listing of product Terms and Conditions, please visit www.acuitybrands.com.

Our Brands	Indoor/Outdoor Lithonia Lighting Carandini Holophane RELOC Light Concepts	Indoor Lighting Gotham Mark Architectural Lighting Peerless Renaissance Lighting Winona Lighting	Outdoor Lighting American Electric Lighting Antique Street Lamps Hydrel Tersen	Controls DARK TO LIGHT LC&D ROAM Sensor Switch Synergy	Daylighting SunOptics
-------------------	---	--	---	--	---------------------------------

Acuity Brands Lighting, Inc. assumes no responsibility for claims arising out of improper or careless installation or handling of its products.
 ABL LED General Warnings, Form No. 503.203

© 2010, 2016 Acuity Brands Lighting, Inc. All rights reserved. 12/01/10

Installation Instructions - CSVT Contractor Single Strip Vapor-Tite LED Luminaire



FIXTURE PACKING LIST

ITEM	DESCRIPTION	QTY
1.	Lens	1
2.	Housing	1
3.	Mounting Bracket	2
4.	Lens Latch	10(4FT) 20(8FT)
5.	Wet Location Fitting	1
6.	LED tray	1(4ft) 2(8ft)
7.	Led Driver	1
8.	CCT/INT Switch	1(certain models)

When handling the fixture during unpacking and installation take precautions of the plastic Lens and plastic end caps. Dropping the fixture or excess force on the lens or housing can cause damage. Removing the lens from the housing during installation exposes the LED's and puts them at risk for damage. Damage to the LEDs caused during installation will not be covered under the warranty.

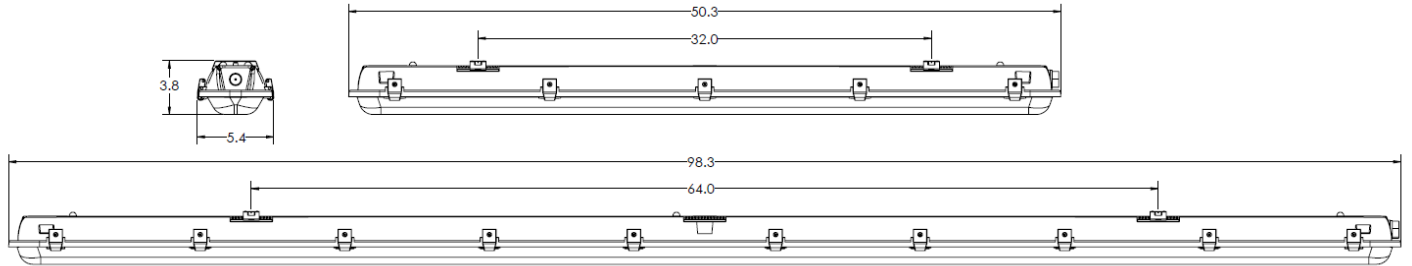
Protect yourself. Before installing, read these instructions carefully and save them for future reference.

Date Installed: _____

TOOLS REQUIRED FOR INSTALLATION

- Safety glasses •Drill
- Ruler/Tape measure •3/32" Drill Bit
- Flat blade screwdriver •1/2" Drill Bit
- Phillips screwdriver •7/8" Drill Bit
- Adjustable wrench •Pliers

DIMENSIONS



CSVT INSTALLATION INSTRUCTIONS

INSTALLATION OF THIS FIXTURE IN ANY OTHER MANNER THAN WHAT IS INDICATED WITHIN THE SUPPLIED INSTRUCTIONS WILL VOID ALL WARRANTIES.

These instructions are for NORMAL On/Off operations.

Ensure proper voltage will be supplied to the fixture. Check the fixture label on the carton for fixture voltage. Fixture must be grounded before use. Remove fixture from packaging and check for damage. If present remove plastic film from lens prior to installation.

GENERAL INSTALLATION

This luminaire is suitable for wet locations when labeled accordingly. This luminaire may be surface mounted or suspended by cable or chain (provided by others). For all mounting methods make sure the facility mounting points and mounting hardware (provided by others) is rated for 4X the fixture load.

DRIVER AND WIRING ACCESS

Once the fixture is mounted:

1. Remove the lens by supporting the lens with one hand and releasing the latches with the other hand. Number of latches vary by fixture length; L48 has 10 and L96 has 20.
2. To open the LED tray, squeeze in on the channel below the led tray in the three places shown in figure 1 and the tray snaps will disengage releasing the LED tray. Slowly lower the LED tray until supported by the safety tethers.
3. Make the electrical connection to the fixture in accordance with your local electrical code. Make all necessary wiring connections, observing proper voltage and polarity.
4. When closing the LED tray ensure that the LED tray is not pinching/catching wires or lens latches. Once closed verify the LED tray is fully engaged.
5. Replace the lens by reversing the procedure outlined in Step 1.

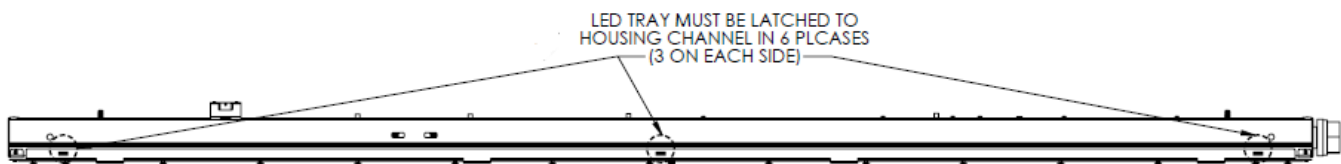


FIGURE 1

STEP-BY-STEP GUIDE

1. Remove fixture components and parts pack(s). Check that all parts are included.
Note: Turn off power at circuit breaker box!
2. **Position the Fixture Housing against** the mounting surface and with a pencil, mark the screw hole locations on mounting brackets.
3. **Using a drill with a 1/16" drill bit**, make two small pilot holes at the marked screw hole locations. If drill bit does not encounter a stud or wood surface, use toggle bolts or suitable fastener depending on structural conditions. If drill bit does encounter wood surface, use #10 wood screw. (FIGURE 2)
4. **Install the Mounting Brackets.** Attach supplied surface mounting brackets to ceiling making sure ceiling and screws can support 4x the full fixture weight. (FIGURE 2)
5. **Install the fixture.** Hang the fixture into the mounting brackets by clipping into one side of each bracket and rotating upward to clip into the other side of each bracket.

WIRING AND FIXTURE OPERATION CAUTION:

Connect fixture to supply wires rated for at least 90°C (194°F).

6. Remove lens by removing all lens latches.
7. **Remove Wireway Cover Assembly by lifting upward** on exposed edges of part. Start in the middle and work outward. Disconnect Wireway Cover Assembly from Housing Assembly.
NOTE - For switchable configurations, LED boards are specific to the generation of switching module located in the channel. If multiple generations of the switching module are present, do NOT mix cover assemblies during installation. Failure to do so will result in incorrect color temperature outputs. See page 6
8. **Disconnect Wireway Cover Assembly from Fixture Housing** by pinching Orange or Red connector on Wiring Harness.
9. **Insert house power supply cable** through wet location fitting
10. **Ensure all electrical connections are made** within Fixture Housing. For Emergency Fixtures, refer to Emergency Battery Installation Instructions for test switch connections.
11. **Cut supply cable to desired length.** Strip black and white wire leads with wire strippers to expose 3/8"-7/16" of bare metal.
12. **Using Wirenuts, connect supply** (house) wires to fixture wires - white to white, black to black, and green to green or bare copper ground wire.

13. **Bundle wires in tight grouping to be out of** the way and reinstall Wireway Cover Assembly (step 3)
14. Reattach lens by latching all latches ensuring that lens has seated properly into the gasket channel.

Trouble Shooting Guide

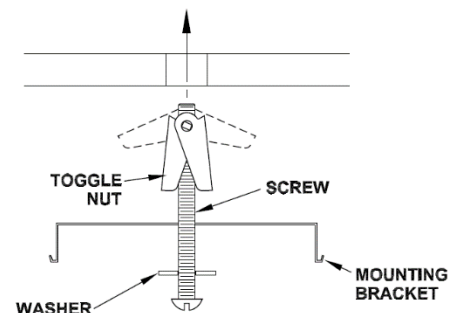
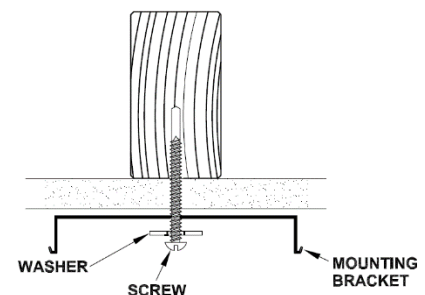
If this fixture fails to operate properly, use the guide below to diagnose and correct the problem.

- Verify that fixture is wired properly.
- Verify that fixture is grounded correctly.
- The line voltage at the fixture is correct.

If further assistance is required, contact:
Technical Support at: (800) 705-7378

If servicing fixture:

- For driver replacement see steps 2 and 11.
- For LED replacement see step 2 and note that entire Wireway Cover Assembly will be replaced.



Switchable Settings (Certain Models)

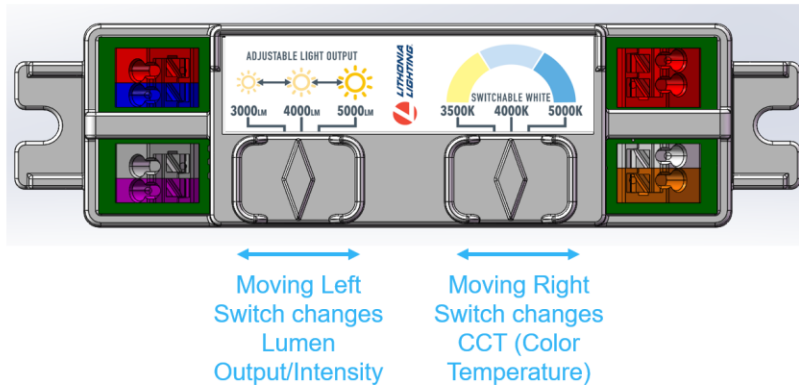


WARNING: RISK OF ELECTRIC SHOCK

- ✓ Disconnect power before adjusting color temperature or intensity switches.

Switchable Option (ALO SWW)

Fixtures ship with both switches in the center positions, L48 = 4000LM & 4000K, L96 = 8000LM & 4000K.

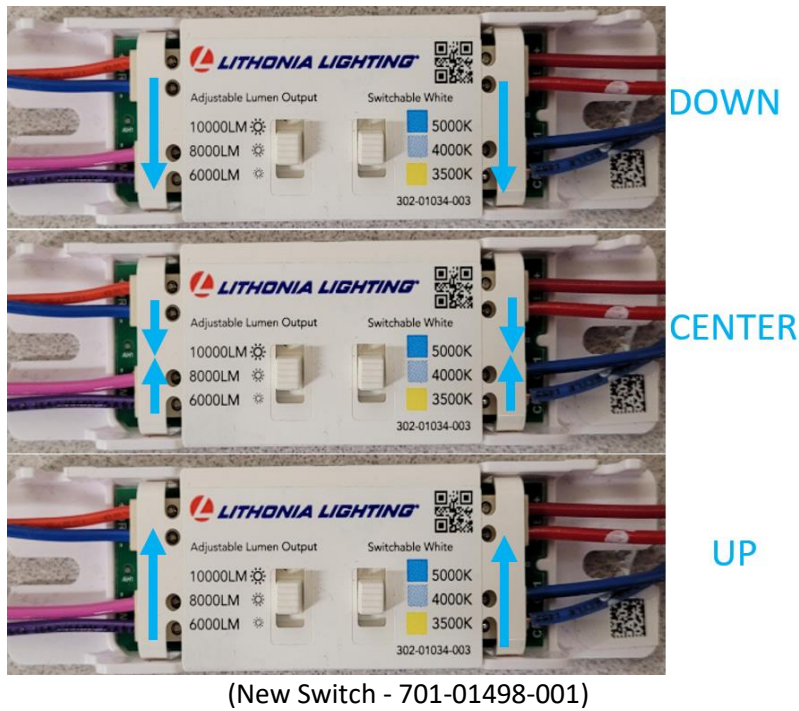
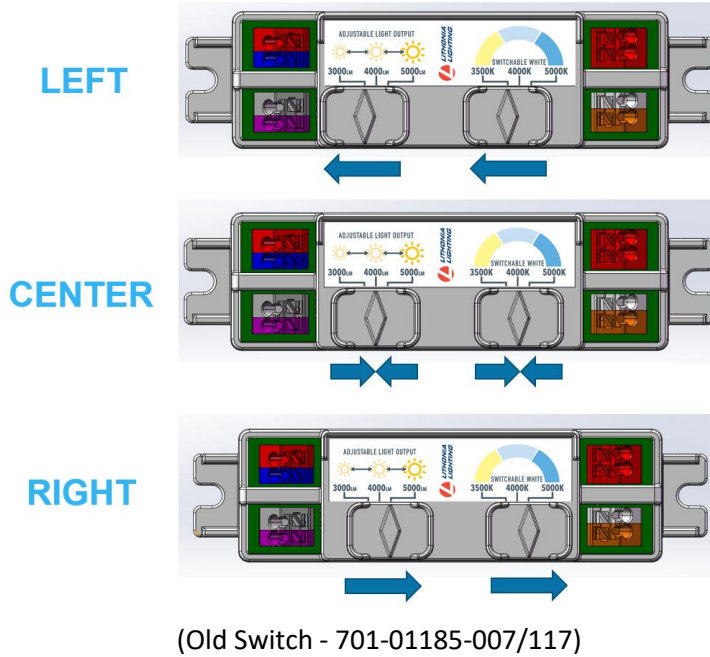


(Old Switch - 701-01185-007/117)



(New Switch - 701-01498-001)

Switch Positions





WARNING: RISK OF ELECTRIC SHOCK

✓ Disconnect power before adjusting color temperature or intensity switches.

Switch Settings (CERTAIN MODELS)

Example: If 4000LM and 4000K is desired then both switches would be moved to the Center positions.

For all possible settings and combinations see the table below.

4ft Lumens	8ft Lumens	Left Switch	Right Switch	CCT
3000LM	6000LM	Left	Left	3500K
4000LM	8000LM	Center	Left	3500K
5000LM	10000LM	Right	Left	3500K
3000LM	6000LM	Left	Center	4000K
4000LM	8000LM	Center	Center	4000K
5000LM	10000LM	Right	Center	4000K
3000LM	6000LM	Left	Right	5000K
4000LM	8000LM	Center	Right	5000K
5000LM	10000LM	Right	Right	5000K

(Old Switch - 701-01185-007/117)

LED IMPORTANT SAFETY INSTRUCTIONS

4ft Lumens	8ft Lumens	Left Switch	Right Switch	CCT
3000LM	6000LM	Bottom	Bottom	3500K
4000LM	8000LM	Center	Bottom	3500K
5000LM	10000LM	Top	Bottom	3500K
3000LM	6000LM	Bottom	Center	4000K
4000LM	8000LM	Center	Center	4000K
5000LM	10000LM	Top	Center	4000K
3000LM	6000LM	Bottom	Top	5000K
4000LM	8000LM	Center	Top	5000K
5000LM	10000LM	Top	Top	5000K

(New Switch - 701-01498-001)

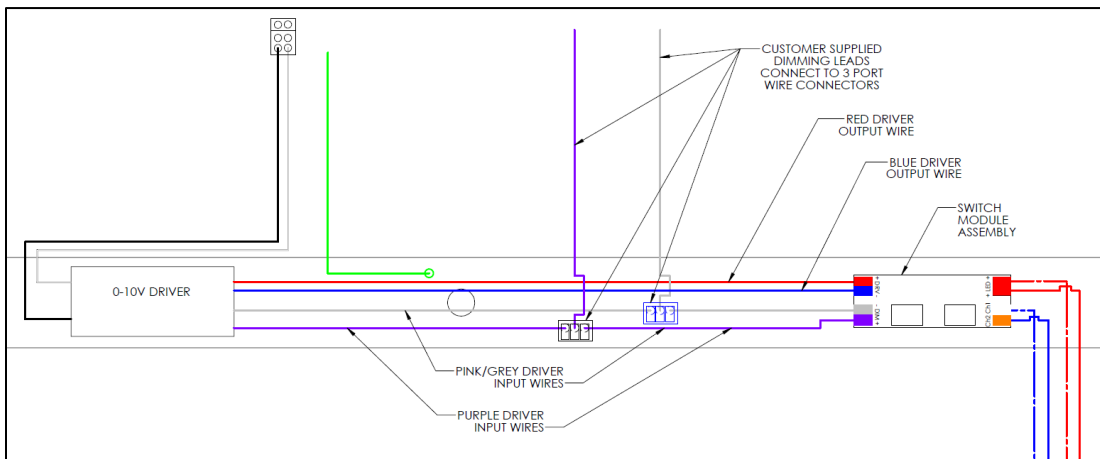
DIMMING

All fixtures: Dimmable

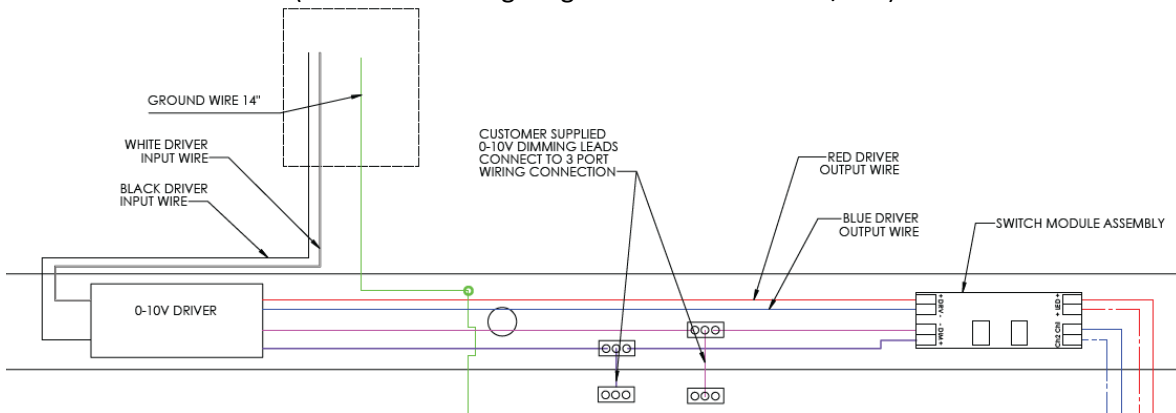
Switchable fixtures:

Maximum light level for switchable luminaires is controlled by the lumen setting on the switch. These products are capable of being dimmed down to 10% when used with 0-10V dimming controls. The fixture with the lowest switch setting on a circuit sets the maximum output for all other switchable fixtures on that same dimming circuit.

Switching luminaires are optimized for use with “sinking” dimming controls (most common in residential and commercial applications). If utilizing switchable luminaires in combination with “sourcing” dimming controls (most common in theatre applications), please ensure that no more than 5 dimming devices totaling more than 10mA source current (typical device is under 2mA) are used on a single dimming circuit.



(Old Switch Wiring Diagram – 701-01185-007/117)



(New Switch Wiring Diagram - 701-01498-001)

Warranty terms are located at the link below:

<http://www.acuitybrands.com/resources/terms-and-conditions>

For Technical Support:

Email techsupport-industrial@acuitybrands.com or

Phone 1-800-705-SERV (7378)