



<b>Project:</b>	<b>Type:</b>
<b>Prepared By:</b>	<b>Date:</b>

Driver Info		LED Info	
Type	Constant Current	Watts	15/12/9W
120V	0.13A/0.10A/0.08A	Color Temp	3000K/4000K/5000K
208V	0.07A/0.06A/0.05A	Color Accuracy	83-86 CRI
240V	0.06A/0.05A/0.04A	L70 Lifespan	100,000 Hours
277V	0.06A/0.05A/0.04	Lumens	1,018-1,684 lm
Input Watts	9.1-14.6W	Efficacy	107.8-119.7 lm/W

## Technical Specifications

### Field Adjustability

#### Field Adjustable:

Field Adjustable Light Output:  
15W/12W/9W (factory default 15W)  
Color Temperature Selectable:  
3000K, 4000K and 5000K (factory default 5000K)  
On/Off Photocell (factory default "On")

### Performance

#### Lifespan:

100,000-Hour LED lifespan based on IES LM-80 results and TM-21 calculations

### LED Characteristics

#### LEDs:

Long-life, high-efficacy, discrete, surface-mount LEDs

### Electrical

#### Driver:

Constant Current, Class 1, 120-277V, 50/60 Hz:  
15W: 0.13A, 208V: 0.07A, 240V: 0.06A, 277V: 0.06A  
12W: 120V: 0.10A, 208V: 0.06A, 240V: 0.05A, 277V: 0.05A  
9W: 120V: 0.08A, 208V: 0.05A, 240V: 0.04A, 277V: 0.04A

#### Dimming Driver:

Driver includes dimming control wiring for 0-10V dimming systems. Requires separate 0-10V DC dimming circuit. Dims down to 10%.

#### Power Factor:

15W: 98.1% at 120V, 92.5% at 277V  
12W: 97.9% at 120V, 91.1% at 277V  
9W: 97.1% at 120V, 86.5% at 277V

#### Aux Power Supply:

No

#### Dim to Off:

No

#### Photocell:

120-277V selectable photocell that can be turned on and off.

#### Surge Protection:

2kV

### Construction

#### Cold Weather Starting:

The minimum starting temperature is -40°C (-40°F)

#### Ambient Temperature:

Suitable for use in up to 45°C (113°F)

#### Housing:

Die-cast aluminum

#### Lens:

Glass

#### Gaskets:

High-temperature silicone

#### Green Technology:

Mercury and UV free. RoHS-compliant components.

### Compliance

#### UL Listed:

Suitable for wet locations

#### IESNA LM-79 & LM-80 Testing:

RAB LED luminaires and LED components have been tested by an independent laboratory in accordance with IESNA LM-79 and LM-80.

#### IP Rating:

Ingress protection rating of IP65 for dust and water

### Installation

#### Mounting:

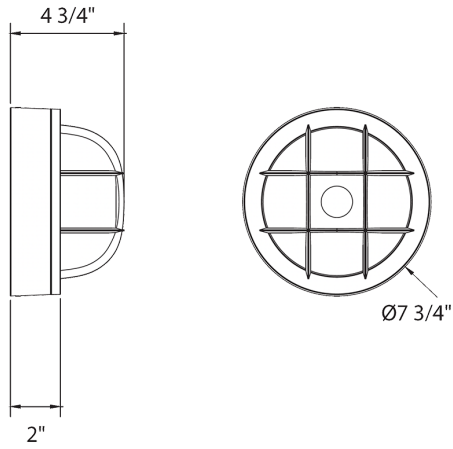
Wall mount

### Other

#### 5 Yr Limited Warranty:

The RAB 5-year, limited warranty covers light output, driver performance and paint finish. RAB's warranty is subject to all terms and conditions found at [rablighting.com/warranty](http://rablighting.com/warranty).

## Dimensions



## Features

- 100,000-hour LED Life
- On/Off photocell
- 5-Year, limited warranty

## Ordering Matrix

Family	Wattage	Color Temp	Shape	Finish	Driver	Options
BULKH	15		R	W		
	10 = 10/8/6W 15 = 15/12/9W 20 = 20/16/12W	Blank = 3000/4000/5000K CCT Adjustable	Blank = Oval R = Round	Blank = Bronze W = White	Blank = 120-277V	Blank = On/Off Photocell