

# Product data sheet

Specifications

SQUARE D



Load center, Homeline, 1 phase, 60 spaces, 120 circuits, 225A convertible main lugs, PoN, NEMA1, combo cover

HOM60120L225PC

Product availability: Stock - Normally stocked in distribution facility

## Main

Product Type	Load Center
Marketing Trade Name	Homeline
Load Center Type	PoN Convertible Mains (lugs)
Rated Current	225 A
Number of Spaces	60
Maximum Number of Single Pole Circuits	120
Enclosure Rating	NEMA 1 indoor enclosure
Cover Type	Combination flush/surface cover
Electrical Connection	Lugs

## Complementary

Max Short Circuit Current Rating	10 kA
Maximum Number of Tandem Breakers	60
Number of Phases	1 phase 3 wires
Voltage Rating	120/240 V AC
Wire Size	AWG 4...250 kcmil copper AWG 4...300 kcmil aluminium
Ground Bar	Grounding bar (ordered separately)
Busbar Material	Tin plated aluminium: busbar
Enclosure Material	Welded sheet steel
Surface Finish	Baked enamel Gray
Box Number	25
Bus Rated Current	225.0 A
Height	48.6 in (1235 mm)
Width	14.3 in (362 mm)
Depth	3.7 in (95 mm)

## Environment

Ambient Air Temperature for Operation	23 °F (-5 °C) 104 °F (40 °C)
Product Certifications	UL listed file E-6294

Price is "List Price" and may be subject to a trade discount – check with your local distributor or retailer for actual price.

## Ordering and shipping details

Category	US1DE3C00045
Discount Schedule	DE3C
GTIN	785901974314
Returnability	Yes
Country of origin	US

## Packing Units

Unit Type of Package 1	PCE
Nbr. of units in pkg.	1
Package 1 Height	6.50 in (16.5 cm)
Package 1 Width	16.61 in (42.2 cm)
Package 1 Length	51.81 in (131.6 cm)
Package weight(Lbs)	41.299 lb(US) (18.733 kg)
Unit Type of Package 2	PAL
Number of Units in Package 2	18
Package 2 Height	40.00 in (101.6 cm)
Package 2 Width	42.00 in (106.68 cm)
Package 2 Length	48.00 in (121.92 cm)
Package 2 Weight	747.672 lb(US) (339.138 kg)


## Environmental Data

Schneider Electric aims to achieve Net Zero status by 2050 through supply chain partnerships, lower impact materials, and circularity via our ongoing “Use Better, Use Longer, Use Again” campaign to extend product lifetimes and recyclability.


[Environmental Data explained >](#)

[How we assess product sustainability >](#)

### Use Better

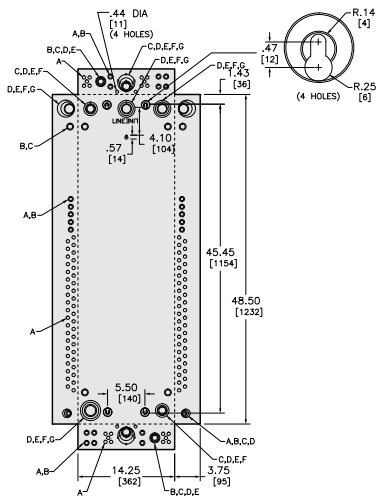
 <b>Materials and Substances</b>	
Packaging made with recycled cardboard	No
Packaging without single use plastic	No
EU RoHS Directive	Under investigation
REACH Regulation	<a href="#">REACH Declaration</a>
California proposition 65	<b>WARNING: This product can expose you to chemicals including: Nickel compounds, which is known to the State of California to cause cancer. For more information go to <a href="http://www.P65Warnings.ca.gov">www.P65Warnings.ca.gov</a></b>

### Use Again

 <b>Repack and remanufacture</b>	
Take-back	No

Technical Illustration

Dimensions



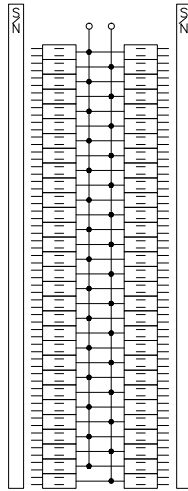
KNOCKOUTS							
SYMBOL	A	B	C	D	E	F	G
IN	.50	.75	1.00	1.25	1.50	2.00	2.50
MM	13	19	25	32	38	51	64

ALL DIMENSIONS ARE APPROXIMATE.  
ALSO REFER TO TECHNICAL DRAWINGS AND DOCUMENTATION.

Technical Illustration

Wiring diagram

---



HOM60120L225PC