

Product data sheet

Specifications

SQUARE D



Safety switch, general duty, fusible, 3 pole, 4 wire, 240VAC, 400A, Type 3R, with neutral

D325NR

Product availability: Stock - Normally stocked in distribution facility

Main

Product	Single Throw Safety Switch
Duty Rating	General duty
Device Application	Residential
Disconnect Type	Fusible disconnect switch
Factory Installed Neutral	Neutral (factory installed)
Number of Poles	3
Current Rating	400 A
Voltage Rating	240 V AC
Enclosure Rating NEMA	NEMA 3R
Motor power hp	50 hp at 240 V AC 60 Hz for 3 phase motors 125 hp at 240 V AC 60 Hz for 3 phase motors

Complementary

Short Circuit Current Rating	100 kA maximum depending on fuse H, K, J or R
Fuse type	H, K, J or R
Mounting Type	Surface
Electrical Connection	Lugs
Wiring configuration	4-wire (3PH + G)
Wire Size	AWG 10...AWG 6 aluminium/copper
Tightening torque	340 lbf.in (38.4 N.m) (AWG 1/0...250 kcmil)
Depth	10.13 in (257.30 mm)
Width	22.25 in (565.15 mm)
Height	30.63 in (778.002 mm)
Net Weight	99.2 lb(US) (45 kg)

Environment

Certifications	UL listed file E2875
----------------	----------------------

Ordering and shipping details

Category	US1DE1A00107
Discount Schedule	DE1A
GTIN	785901461579

Price is "List Price" and may be subject to a trade discount – check with your local distributor or retailer for actual price.

Returnability	Yes
---------------	-----

Packing Units

Unit Type of Package 1	PCE
------------------------	-----

Nbr. of units in pkg.	1
-----------------------	---

Package 1 Height	10.87 in (27.62 cm)
------------------	---------------------

Package 1 Width	23.00 in (58.42 cm)
-----------------	---------------------

Package 1 Length	31.50 in (80.01 cm)
------------------	---------------------

Package weight(Lbs)	69.979 lb(US) (31.742 kg)
---------------------	---------------------------

Contractual warranty

Warranty	18 months
----------	-----------



Environmental Data

Schneider Electric aims to achieve Net Zero status by 2050 through supply chain partnerships, lower impact materials, and circularity via our ongoing “Use Better, Use Longer, Use Again” campaign to extend product lifetimes and recyclability.

[Environmental Data explained >](#)

[How we assess product sustainability >](#)

Environmental footprint

Carbon footprint (kg CO2 eq, Total Life cycle) **867**

Environmental Disclosure [Product Environmental Profile](#)

Use Better

Materials and Substances

Packaging made with recycled cardboard **Yes**

Packaging without single use plastic **Yes**

[EU RoHS Directive](#) **Compliant with Exemptions**

REACH Regulation [REACH Declaration](#)

California proposition 65 **WARNING: This product can expose you to chemicals including: Lead and lead compounds, which is known to the State of California to cause cancer and birth defects or other reproductive harm. For more information go to www.P65Warnings.ca.gov**

Halogen content performance **Halogen free plastic parts product**

PVC free **Yes**

Use Again

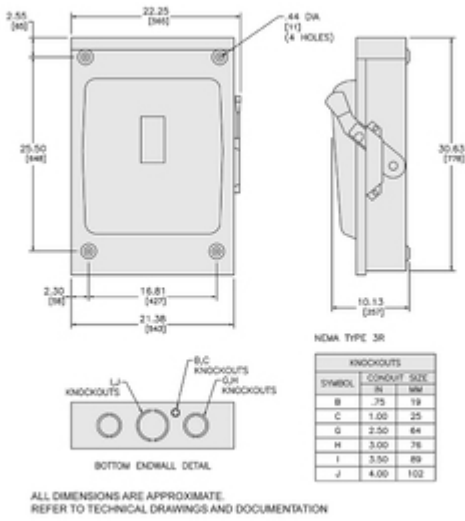
Repack and remanufacture

Circularity Profile **No need of specific recycling operations**

Take-back **No**

Technical Illustration

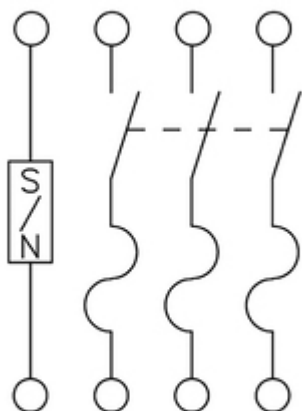
Dimensions



Technical Illustration

Wiring diagram

FUSIBLE



D325NR
D325NTR