

Product data sheet

Specifications



Modicon M171 Performance Plug-in CAN

TM171ACAN

Product availability: Non-Stock - Not normally stocked in distribution facility

Main

| | |
|-----------------------------|----------------------|
| Range of Product | Modicon M171 |
| Product or Component Type | Communication module |
| Communication Port Protocol | CAN2.B |

Complementary

| | |
|----------------------------|--|
| Integrated connection type | CAN port wire crimp - twisted pair |
| Physical interface | Twisted pair |
| Supply | Via base board EVD/EVC |
| Product Compatibility | Logic controller M172 performance Logic controller M171 performance |
| Product Weight | 0.170 lb(US) (0.077 kg) |

Environment

| | |
|---------------------------------------|--------------------------------|
| Product Certifications | CE CSA cURus EAC |
| Marking | CE |
| IP Degree of Protection | IP20 |
| Ambient air temperature for operation | 14...131 °F (-10...55 °C) |
| Ambient Air Temperature for Storage | -4...185 °F (-20...85 °C) |
| Relative Humidity | 10...90 % without condensation |

Ordering and shipping details

| | |
|-------------------|---------------|
| Category | US1PC1222537 |
| Discount Schedule | PC12 |
| GTIN | 3606480752421 |
| Returnability | No |
| Country of origin | IT |

Packing Units

| | |
|------------------------------|---------------------|
| Unit Type of Package 1 | PCE |
| Number of Units in Package 1 | 1 |
| Package 1 Height | 5.12 in (13.000 cm) |

Price is "List Price" and may be subject to a trade discount – check with your local distributor or retailer for actual price.

| | |
|-------------------------------------|-------------------------|
| Package 1 Width | 3.58 in (9.100 cm) |
| Package 1 Length | 7.28 in (18.500 cm) |
| Package 1 Weight | 6.384 oz (181.000 g) |
| Unit Type of Package 2 | S02 |
| Number of Units in Package 2 | 6 |
| Package 2 Height | 5.91 in (15.000 cm) |
| Package 2 Width | 11.81 in (30.000 cm) |
| Package 2 Length | 15.75 in (40.000 cm) |
| Package 2 Weight | 2.899 lb(US) (1.315 kg) |


Environmental Data

Schneider Electric aims to achieve Net Zero status by 2050 through supply chain partnerships, lower impact materials, and circularity via our ongoing "Use Better, Use Longer, Use Again" campaign to extend product lifetimes and recyclability.

[Environmental Data explained >](#)

[How we assess product sustainability >](#)

Use Better

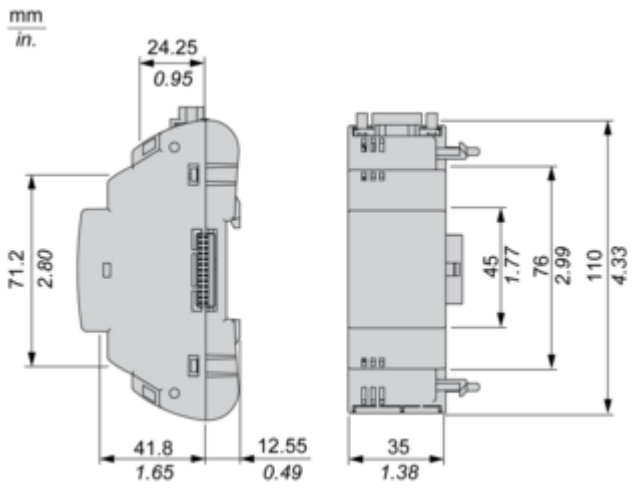
|  Materials and Substances | |
|---|--|
| Packaging made with recycled cardboard | Yes |
| Packaging without single use plastic | Yes |
| EU RoHS Directive | Pro-active compliance (Product out of EU RoHS legal scope) |
| REACH Regulation | REACH Declaration |
| California proposition 65 | WARNING: This product can expose you to chemicals including: Lead and lead compounds, which is known to the State of California to cause cancer and birth defects or other reproductive harm. For more information go to www.P65Warnings.ca.gov |

Use Again

|  Repack and remanufacture | |
|---|----|
| Take-back | No |

Dimensions Drawings

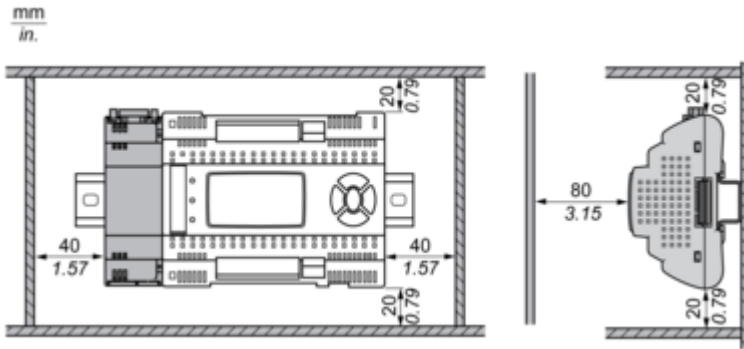
Dimensions



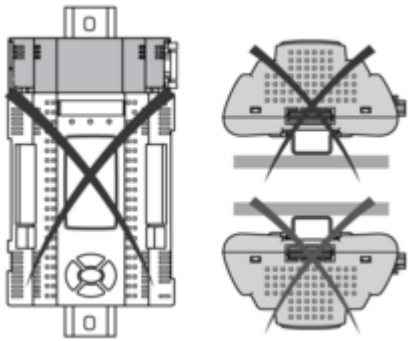
Mounting and Clearance

Mounting and Clearance

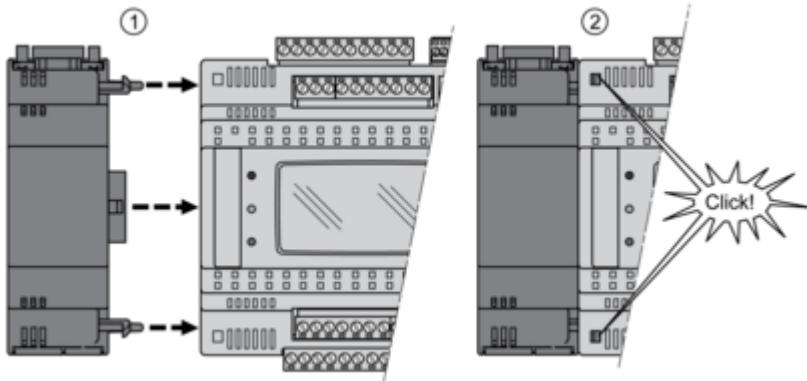
Clearance



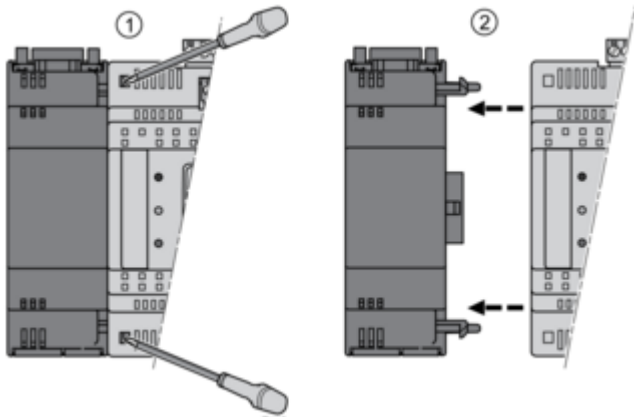
Misplacement



Mounting on Controller



Dismounting

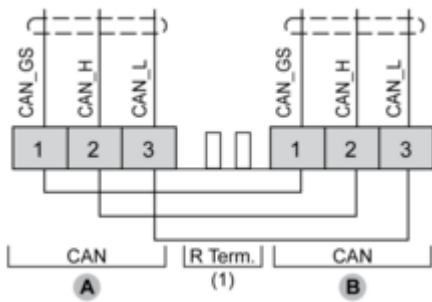
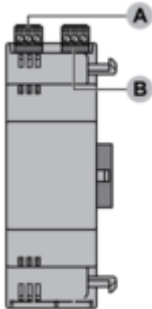


Connections and Schema

Connections and Schema

CAN Communication Module

TM171ACAN



(1) CAN terminal resistance.