

# OCH2 Series Outdoor / Indoor Rated Quartz Electric Infrared Heater



**Heats solid objects, not the air!**



## Features

- 2 Frosted Quartz Tube heating elements (included)
- Listed for suspended, totally exposed (outdoor) and indoor\*\* spot heating applications
- Finish: High-temp brown powder coated finish or corrosion resistant stainless steel 20 gauge housing
- 60° Symmetric Heat Pattern
- Gold anodized Aluminum reflector and end caps
- 6" long lead wires for direct field connection
- Two 2' long mounting chains and four S-Hooks included
- The OCH2-Series can be wall or ceiling mounted using the supplied mounting brackets which allow up to a 45° horizontal tilt adjustment
- Made in U.S.A.

**Series: OCH2-55** Length: 55"; Width: 7.5"; Height: 7"  
**Series: OCH2-66** Length: 66"; Width: 7.5"; Height: 7"

## Product Models

MFG CATALOG NUMBER	PAINTED BROWN	MFG CATALOG NUMBER	STAINLESS STEEL	WATTS	BTUs	VOLTS	AMPS	Qtz. Tube Repl. Element
	MFG MODEL NUMBER		MFG MODEL NUMBER					
04915502	OCH2-55-208V	04915902	OCH2-55-208V-SS	4000	13652	208	19.23	671-5062
04915602	OCH2-55-240V	04916002	OCH2-55-240V-SS					671-5063
04915702	OCH2-55-277V	04916102	OCH2-55-277V-SS					671-5064
04915802	*OCH2-55-480V	04916202	*OCH2-55-480V-SS					*671-5063
04916302	OCH2-66-208V	04916702	OCH2-66-208V-SS	6000	20478	208	28.85	671-5065
04916402	OCH2-66-240V	04916802	OCH2-66-240V-SS					671-5066
04916502	OCH2-66-277V	04916902	OCH2-66-277V-SS					671-5067
04916602	*OCH2-66-480V	04917002	*OCH2-66-480V-SS					*671-5066

\*480V models use (2) 240V elements wired in series.

\*\*Not for residential use

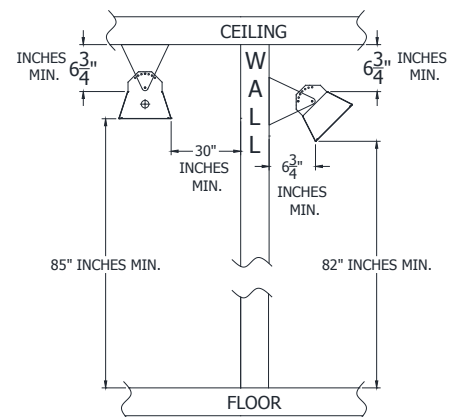
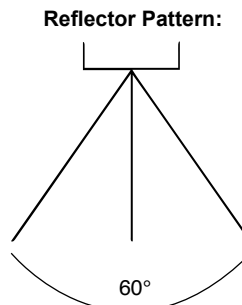
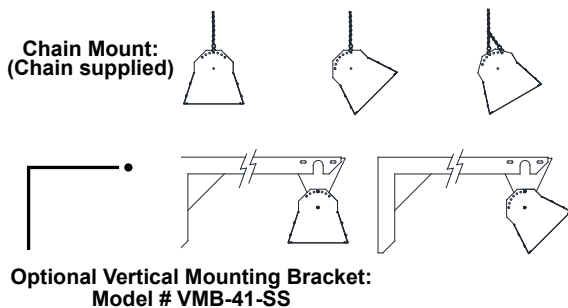
## Product Accessories

MFG CATALOG NUMBER	MFG MODEL NUMBER	DESCRIPTION	FOR USE WITH
04917102	OCH2WG-55	Wire Guards	OCH2-55 Series Models
04917202	OCH2WG-66		OCH2-66 Series Models

## Mounting Configurations & Reflector Pattern

### Mounting

- Chain, surface mount or use our vertical mounting bracket as shown below. Note: All units must be mounted horizontally.
- In-Built surface mounting bracket allows for fixture adjustment up to a 45° horizontal tilt.
- As shown, the heater may be suspended at any horizontal angle desired.



## Mounting Clearances & Recommended Mounting Height

MOUNTING CLEARANCES	RECOMMENDED MOUNTING HEIGHT	
6-3/4" from ceiling; 30" from vertical surface 85" from face of heater to combustible surface 36" from another heater	OCH2-55	9'-11'
	OCH2-66	10'-12'