

Product data sheet

Specifications

SQUARE D



Safety switch, double throw, non fusible, 3 pole, 3 wire, 600VAC, 600VDC, 30A, Type 1

DTU361

Product availability: Stock - Normally stocked in distribution facility

Main

Product	Double Throw Safety Switch
Duty Rating	Heavy duty
Disconnect Type	Non-fusible disconnect switch
Factory Installed Neutral	None
Number of Poles	3
Current Rating	30 A
Voltage Rating	600 V AC 600 V DC
Enclosure Rating	NEMA 1
Motor power hp	5 hp at 240 V AC 50-60 Hz for 1 phase motors 10 hp at 240 V AC 50-60 Hz for 3 phase motors 7.5 hp at 480 V AC 50-60 Hz for 1 phase motors 20 hp at 480 V AC 50-60 Hz for 3 phase motors 10 hp at 600 V AC 50-60 Hz for 1 phase motors 30 hp at 600 V AC 50-60 Hz for 3 phase motors 5 hp at 250 V DC 15 hp at 600 V DC

Complementary

Short-circuit current	10 kA H or K 200 kA R, J or T
Fuse type	H or K R, J or T
Mounting Type	Surface
Wire Size	AWG 12...AWG 2 aluminium AWG 14...AWG 2 copper
Tightening torque	35 lbf.in (4.0 N.m) 0.003...0.008 in ² (2.08...5.26 mm ²) (AWG 14...AWG 10) 40 lbf.in (4.5 N.m) 0.01 in ² (8.37 mm ²) (AWG 8) 45 lbf.in (5.08 N.m) 0.02...0.03 in ² (13.3...21.15 mm ²) (AWG 6...AWG 4) 50 lbf.in (5.6 N.m) 0.04...0.05 in ² (26.67...33.62 mm ²) (AWG 3...AWG 2)
Depth	6.93 in (176.02 mm)
Width	11.96 in (303.78 mm)
Height	29.94 in (760.48 mm)
Net Weight	39.00 lb(US) (17.69 kg)

Environment

Certifications	cULus
----------------	-------

Ordering and shipping details

Price is "List Price" and may be subject to a trade discount – check with your local distributor or retailer for actual price.

Category	US10DE100033
Discount Schedule	0DE1
GTIN	785901308669
Returnability	Yes
Country of origin	US

Packing Units

Unit Type of Package 1	PCE
Nbr. of units in pkg.	1
Package 1 Height	10.40 in (26.416 cm)
Package 1 Width	12.50 in (31.750 cm)
Package 1 Length	33.00 in (83.820 cm)
Package weight(Lbs)	34.990 lb(US) (15.871 kg)
Unit Type of Package 2	PAL
Number of Units in Package 2	16
Package 2 Height	40.00 in (101.600 cm)
Package 2 Width	40.00 in (101.600 cm)
Package 2 Length	48.00 in (121.920 cm)
Package 2 Weight	564.0002 lb(US) (255.826 kg)

Contractual warranty

Warranty	18 months
----------	-----------



Environmental Data

Schneider Electric aims to achieve Net Zero status by 2050 through supply chain partnerships, lower impact materials, and circularity via our ongoing “Use Better, Use Longer, Use Again” campaign to extend product lifetimes and recyclability.

[Environmental Data explained >](#)

[How we assess product sustainability >](#)

Environmental footprint

Carbon footprint (kg CO2 eq, Total Life cycle)	161
--	-----

Environmental Disclosure	Product Environmental Profile
--------------------------	---

Use Better

Materials and Substances

Packaging made with recycled cardboard	Yes
--	-----

Packaging without single use plastic	Yes
--------------------------------------	-----

EU RoHS Directive	Compliant
-----------------------------------	-----------

REACH Regulation	REACH Declaration
------------------	-----------------------------------

California proposition 65	WARNING: This product can expose you to chemicals including: Lead and lead compounds, which is known to the State of California to cause cancer and birth defects or other reproductive harm. For more information go to www.P65Warnings.ca.gov
---------------------------	--

Use Again

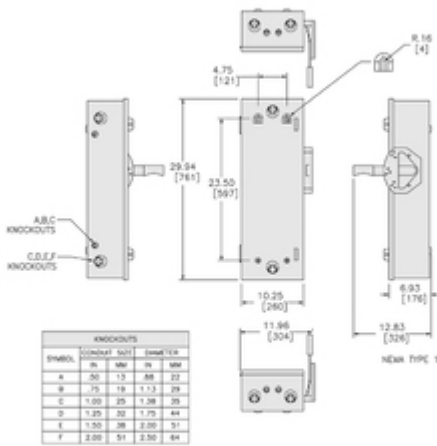
Repack and remanufacture

Circularity Profile	No need of specific recycling operations
---------------------	--

Take-back	No
-----------	----

Technical Illustration

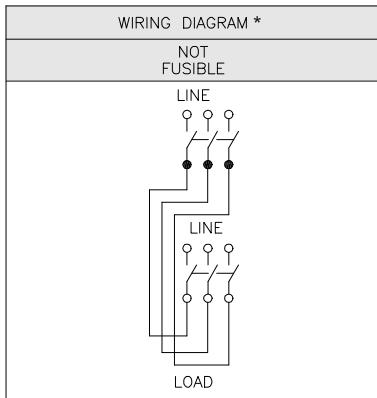
Dimensions



ALL DIMENSIONS ARE APPROXIMATE.
REFER TO TECHNICAL DRAWINGS AND DOCUMENTATION FOR COMPLETE INFORMATION.

Technical Illustration

Wiring diagram



- DTU321 DTU362
- DTU361 DTU323
- DTU322 DTU363

* FIELD CONVERTABLE TO FEED TWO ALTERNATE LOADS FROM A SINGLE SOURCE