



EVOGUE Delivery System

EVOGUE Flex/Traditional/Rear/Side/Cart
Delivery System



Index

EVOGUE

Delivery System

- 01 **EVOGUE** Flex Continental Delivery Sysytem
- 02 **EVOGUE** Traditional Delivery System
- 03 **EVOGUE** Cart Mobile Delivery System
- 04 **EVOGUE** Cabinet-Mounted Delivery System

01

EVOGUE
Flex Continental
Delivery System

Experience unrivaled efficiency with the EVOGUE Flex.

The EVOGUE Flex continental-style delivery system is a meticulously engineered solution designed to elevate dental care. With intuitive controls and customizable configurations, it ensures every tool is effortlessly accessible. Its ergonomic design and adaptable arm adjust seamlessly to any treatment scenario, optimizing workflow and enhancing patient comfort while advancing your practice into the future of dental care.



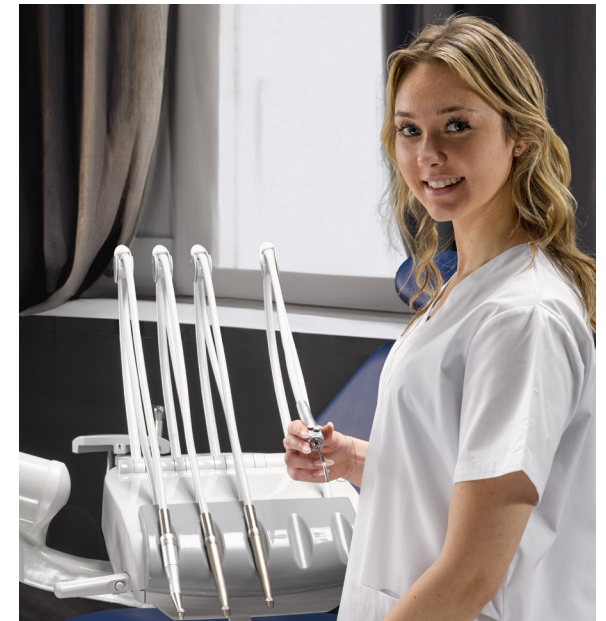
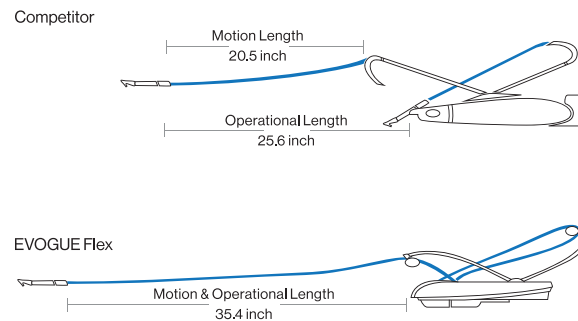
Experience the Sensation of Zero Gravity.



Handpieces activate easily by lifting and gently pulling the hose and whip arm forward. The whip arm mechanism counters hose pull-back resistance, allowing handpieces to remain in a neutral, comfortable position while minimizing twisting motions that can cause fatigue and long-term health issues.

Each whip arm features a pivoting roller for improved side-to-side reach, accommodating various delivery head positions, whether to the side or over the patient's chest.

With extended forward hose reach that surpasses typical systems in the industry, the EVOGUE Flex provides enhanced flexibility, improved reach, and better access during procedures.

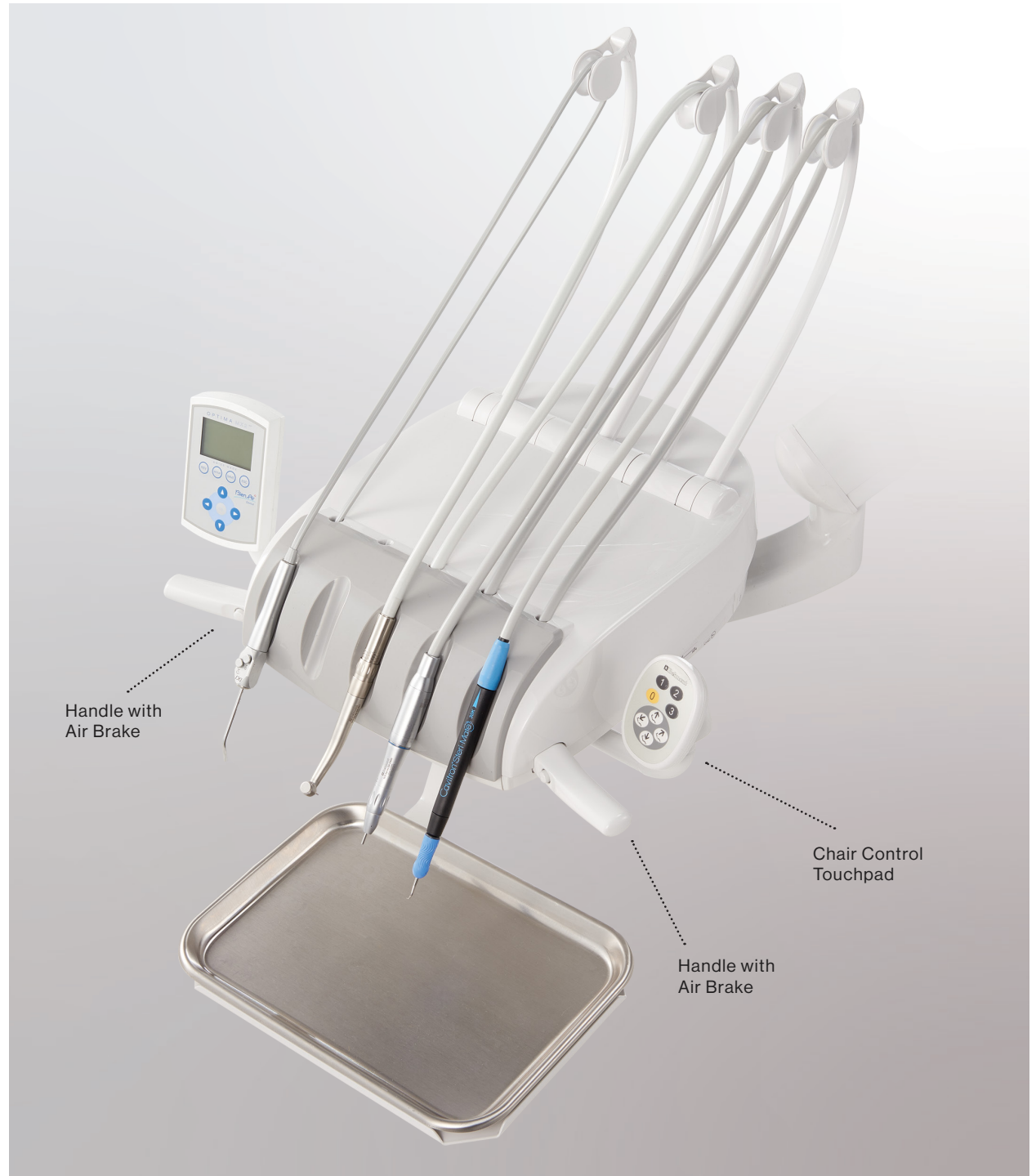




Effortless Adjustments, Unimpeded Movement.

The smooth rotation of the EVOGUE Flex delivery head allows handpieces to be effortlessly positioned within the practitioner's line of sight, enabling easy withdrawal and replacement without shifting focus from the patient's oral cavity.

Adjust the rotating delivery head and pivot the tray to position the table for optimal patient treatment, eliminating tubing pullback and ensuring smooth, uninterrupted movement while enhancing comfort and efficiency.



Handle with
Air Brake

Chair Control
Touchpad

Handle with
Air Brake

Adaptive mounting solutions, versatile operating capabilities.

With two versatile mounting options, the EVOGUE Flex easily adapts to various treatment room configurations, ensuring seamless integration and optimal functionality across diverse environments.

The EVOGUE Flex's left-right swing mount is perfect for practices with multiple providers, enhancing efficiency by facilitating quick transitions between left and right setups. Belmont's swing mount can be adjusted in just 30 seconds by a single person without the need for tools or power, allowing assistants to easily switch between bookings while accommodating diverse working styles.

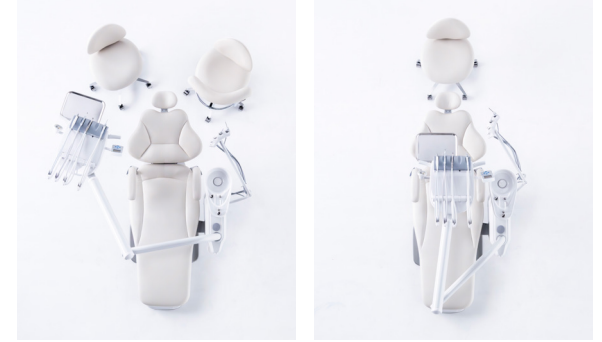
Left-Right Swing Delivery

Right-Handed / 2 Hands Left-Handed / 4 Hands



Over-the-Patient Delivery

Traditional-Style Positioning / 4 Hands European-Style Positioning / 2 Hands



Traditional-Style Positioning / 4 Hands



Traditional-Style Positioning / 4 Hands



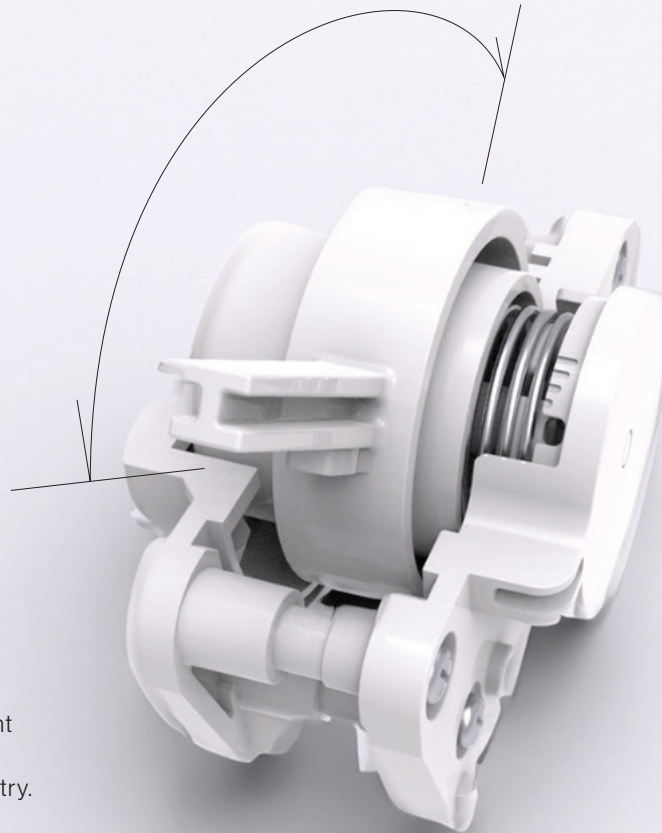
Shown in a flexible left-to-right swing configuration.
Enhance your operatory with the optional SwingMount cuspidor.

Crafted for Durability, Tested for Excellence.

Quality Assured

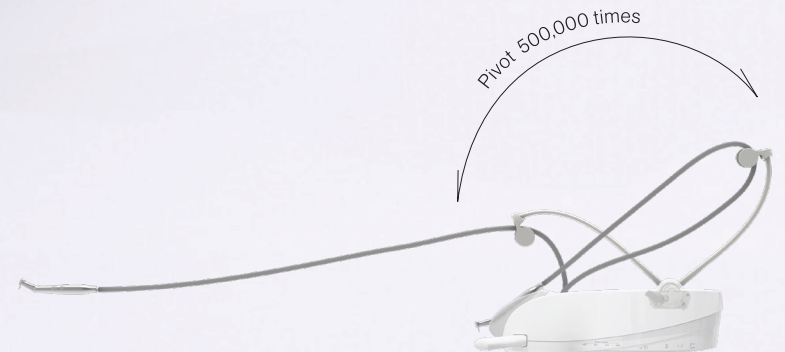
At the heart of the EVOGUE Flex delivery system is a commitment to precision engineering and reliable craftsmanship. Core components, such as the pivot motion mechanism, undergo rigorous testing—simulated over 500,000 cycles, equivalent to 20 years of daily use—to ensure dependable performance under the demands of modern dentistry.

This dedication to quality extends across the system, with every detail meticulously designed and evaluated to deliver long-lasting functionality. The result is a delivery system that upholds the highest standards of durability, providing peace of mind and a trusted solution for your practice.



Endurance Test 500,000+ Cycles

10 Times per Treatment
x10 Times per Day
x250 Days per Year
x20 Years



02

EVOGUE
Traditional
Delivery System

EVOGUE

Traditional Delivery System

Dynamic solutions for your evolving dental practice.

Designed for effortless control and versatile motion, the EVOGUE traditional-style delivery system adapts to evolving clinical needs while ensuring practitioner comfort. Its sleek, modern design adds sophistication to any office.





Your Toolkit for Dental Excellence.

Empowering a higher standard of care.

From concept to final product, the EVOGUE traditional delivery system is meticulously engineered for optimal performance and user experience. Combining convenience, accessibility, and modern design, it meets the exacting standards of today's dental practices.

With built-in chair controls, a pivoting head for precise instrument placement, and adjustable holders for easy handpiece access and retrieval, the EVOGUE traditional delivery system delivers a comprehensive solution that empowers dentists to provide exceptional care.



Effortless Operation, Exceptional Results.

Designed for optimal efficiency and convenience, the EVOGUE traditional delivery system positions handpieces, instruments, and patient controls at the forefront. Its pivoting feature ensures exceptional flexibility, simplifying operations and boosting productivity.



Handpiece air pressure gauge, Master On/Off switch, handpiece flush switch, bowl flush switch and cup fill switch, located on the side.



Diverse mounting solutions, versatile operating capabilities.

The EVOGUE delivery system offers versatile mounting options that adapt seamlessly to diverse treatment room configurations, enhancing efficiency, aesthetics, and overall performance while providing reliable support.

Choose from two configurations: the classic over-the-patient delivery setup with optional cuspidor or vac-pac, and the versatile left-right swing mount designed to accommodate both left- and right-handed dentists. These options enable every dental practice to optimize their setup for enhanced efficiency and comfort.

Left-Right Swing Delivery

Right-Handed
User Setup



Left-Handed
User Setup



Without cuspidor
option.



Over-the-Patient Delivery

Right-Handed or
Left-Handed User Preset



With cuspidor
option.



Shown in a flexible left-to-right swing configuration.
Enhance your operatory with the optional SwingMount cuspidor.

03

EVOGUE
Cart Mobile
Delivery System

EVOGUE Cart

Mobile Delivery System

**Experience unparalleled
versatility and convenience
with the EVOGUE cart.**

Meet the EVOGUE cart mobile-style delivery system, designed to elevate efficiency and flexibility in dental practices. With its compact, mobile design, it ensures effortless movement and positioning, optimizing space and workflow, while providing easy access to essential tools and instruments.





Streamlined Efficiency for Modern Practices.

Optimize Space & Workflow

The EVOGUE cart is an essential asset for small clinics and treatment rooms. Its compact design maximizes space, making it ideal for single-entry operatories where chair-mounted delivery isn't feasible. The cart's mobility keeps instruments within easy reach, enhancing workflow, supporting closer patient interactions, and fostering exceptional care in modern dental practices.



Enhanced Efficiency

The EVOGUE cart features height adjustability for easy access to handpieces and the instrument tray. Customizable to fit your needs, these carts can include built-in fiber optics, a micromotor, and a scaler, optimizing workspace efficiency. An optional stainless-steel tray provides a convenient location to place the rheostat, helping to keep your treatment room organized and clutter-free.



04

EVOGUE
Cabinet-Mounted
Delivery System



**EVOGUE
Rear Delivery**

**Cabinet Solution,
Perfectly Integrated.**

The EVOGUE Cabinet-Mounted Delivery System delivers space efficiency with two mounting options—rear and side delivery. Its discreet placement behind the patient helps reduce pre-treatment anxiety and improves the overall patient experience.

The EVOGUE Cabinet-Mounted Delivery System acts as the operational hub of your treatment room, seamlessly integrating essential instruments and functions to enhance efficiency. Its discreet design reduces visual clutter, alleviating patient anxiety while optimizing your workflow for maximum accessibility.

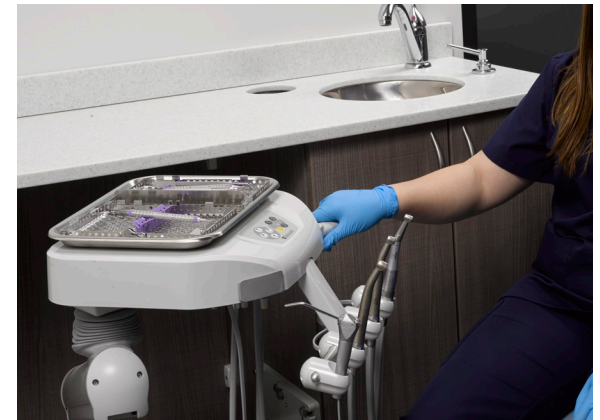
Rear-Mounted Doctors & Assistants Delivery



Rear-Mounted Assistants Instruments



Side-Mounted Doctors Delivery



Compassion Meets Efficiency.

How can your practice create an environment of trust and comfort for every patient?

Dental care goes beyond procedures—it's about fostering trust, building relationships, and ensuring patients feel valued from the moment they step in.

The EVOGUE Cabinet-Mounted Delivery System plays a pivotal role in shaping that experience, blending thoughtful design with seamless functionality to enhance patient comfort and practitioner efficiency.

Imagine a treatment space free from visual clutter, where sleek, integrated design creates a calming atmosphere that helps reduce patient anxiety. The EVOGUE system discreetly positions essential tools out of sight yet keeps them within effortless reach, ensuring your focus remains on your patients.

For practitioners, the streamlined rear delivery system transforms the treatment area into an efficient and organized workspace. With tools conveniently behind the chair, the design supports smooth task transitions, helping you provide care with confidence and ease.

By the end of each appointment, patients leave feeling reassured, valued, and confident in their care. The EVOGUE system is more than a tool—it's an investment in creating meaningful patient connections and elevating your practice. Let the EVOGUE system redefine what compassionate care looks like, one patient at a time.





Belmont Equipment
101 Belmont Drive, Somerset, NJ 08873
(800) 223-1192 | belmontequip.com

Scan for All Brochures

